



## GMC AXF-608:

- Cased axial fans used for large air capacities with relatively low pressures are required in duct mounted applications.

### Application

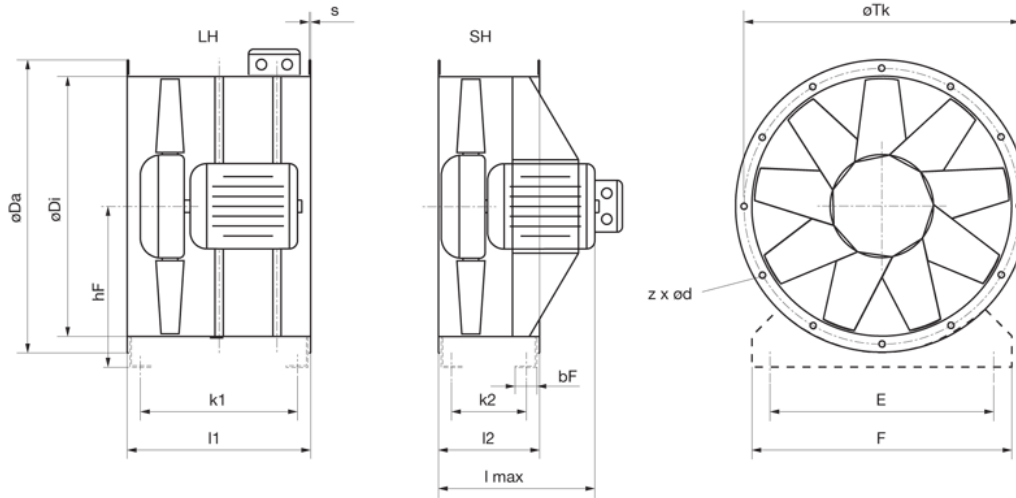
- Suitable when large air capacities with relatively low pressures are required in duct mounted applications. For instance: ventilation and conditioning in naval and mining applications, evaporative towers, heat exchangers, cooling of electric and refrigerating equipments, etc.
- With this line is possible to attain higher pressures using the multistage version consisting of two single stages fans mounted in series, with contra-rotating impellers. This solution allows the recovery of the air rotative component turning it in pressure, developing up to 2.7 times the pressure of a single fan having the same geometry and speed

### Composition

- Casing in steel sheet protected with epoxy painting. Fixing flanges according to UNI-ISO 6580/EUROVENT 1-2 standards
- Impeller with high efficiency airfoil blades in plastic material or in die-cast aluminum alloy. Hub in die-cast aluminum alloy. Balancing according to UNI ISO 1940. Variable pitch angle in still position
- Asynchronous electric motor, protection IP 55, class F insulated, output EFF2, service S1, form B3, construction according to the IEC/EEC (UNEL-MEC) standard
- Execution 4 (impeller directly coupled to motor shaft)

# DUCT TYPE MK-II AXIAL FAN

Rev.01  
27-05-2015



## Dimensions

	Da (mm)	Di (mm)	hF (mm)	z x d (mm)	Tk (mm)	E (mm)	F (mm)	bF (mm)
Mk.	315	320	205	8 x 12	366	265	315	60
	355	359	225	8 x 12	405	305	355	60
	400	401	250	12 x 12	448	350	400	60
	450	450	280	12 x 12	497	400	450	60
	500	504	315	12 x 12	551	440	500	70
	560	565	345	16 x 14	629	500	560	70
	630	634	400	16 x 14	698	570	630	70
	710	711	450	16 x 14	775	650	710	70
	800	797	500	12' x 14	861	730	800	80
	900	894	580	12' x 14	958	830	900	80
	1000	1003	630	12' x 14	1067	930	990	80
	1120	1125	690	16' x 18	1200	1050	1110	100
	1250	1250	750	16' x 18	1337	1180	1240	100
	1400	1405	830	16' x 18	1475	1330	1390	100
	1600	1605	930	20' x 18	1675	1530	1590	100