

# PLASTIC CENTRIFUGAL DUCT FAN

Rev.01  
27-05-2015



## GMC DCF-505:

Centrifugal plastic in line duct fan

### Application

- designed to be built-in in circular ducts
- used for ventilation in many applications such as offices, restaurants, technical rooms or other
- The range consists of 6 sizes and 2 types and covers an air flow range up to 1700 m<sup>3</sup>/h
- Easy installation in any position

### Composition

- Strong and heavily inflammable plastic casing with integrated terminal box
- High efficiency through guide vanes
- High reliability and long service life
- External-rotor motor with overheat protection
- Supply: 230Vac 1ph
- Protection: IP44
- Insulation class: B
- Backward curved centrifugal impeller
- **Mk.100** – **Mk.315**: impeller made of plastic
- **Mk.315L**: impeller made of coated sheet steel
- Very high efficiency
- Balanced according to DIN ISO 1940 standard
- can be easily and precisely regulated by simply reducing the voltage.

### Accessories

- Electronic controller type **MTY-1**
- Auto transformer type **BTRN-1**
- Wall console type **MRK**
- Clamping strip type **BMK**
- Safety grill type **BSV**



HVAC Systems and Equipments Co.  
4640 Hedgcoxe Road 227 Plano, TX 75024 – US

[www.gmcair.com](http://www.gmcair.com)

# PLASTIC CENTRIFUGAL DUCT FAN

Rev.01  
27-05-2015



## Order example

Mk.125 + MTY1 + MRK1

125: diameter  
MTY1: speed controller  
MRK1: console

## Air Performance Data

Model	Qv (m³/h)						
	0 Pa	50 Pa	100 Pa	150 Pa	200 Pa	300 Pa	400 Pa
Mk.	100	210	165	100	-	-	-
	100L	300	265	225	175	120	-
	125	245	190	110	-	-	-
	125L	355	320	260	205	135	-
	160	440	390	325	250	155	-
	160L	700	625	545	460	375	175
	200	750	660	590	500	400	195
	200L	955	860	785	680	595	345
	250	800	710	625	525	430	195
	250L	995	900	820	720	625	370
	315	1280	1200	1110	1025	900	660
	315L	1700	1600	1500	1400	1300	1040
							745

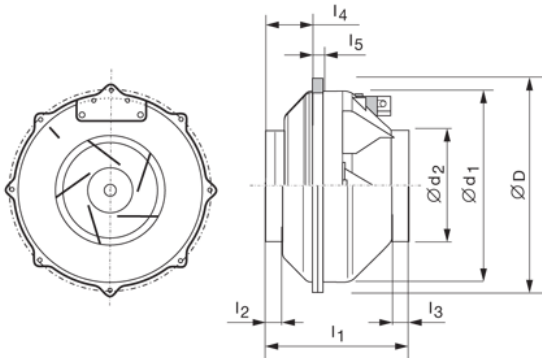
SC<sub>T</sub> = transformer speed controller

SC<sub>E</sub> = electronic speed controller

**\*Caution: an electronic controller can produce a magnetic noise**

t<sub>m</sub> = maximum air temperature

Lpa = Sound pressure level



## Dimensions

Model	l1 [mm]	l2 [mm]	l3 [mm]	l4 [mm]	l5 [mm]	Ø D [mm]	Ø d1 [mm]	Ø d2 [mm]	Kg
Mk.	100	247	30	30	101	18	288	251	99
	100L	247	30	30	101	18	288	251	99
	125	247	30	30	101	18	288	251	124
	125L	247	30	30	101	18	288	251	124
	160	230	30	30	84	18	379	340	159
	160L	230	30	30	84	18	379	340	159
	200	230	30	30	84	18	379	340	199
	200L	260	30	30	84	18	379	340	199
	250	230	30	30	84	18	379	340	249
	250L	260	30	30	84	18	379	340	249
	315	275	30	30	106	18	452	404	314
	315L	275	30	30	106	18	452	404	314



HVAC Systems and Equipments Co.  
4640 Hedcoxe Road 227 Plano, TX 75024 – US

[www.gmcair.com](http://www.gmcair.com)