

# HIGH-POWERED VERTICAL DISCHARGE ROOF EXH. FAN

Rev.01  
27-05-2015



## GMC REF-544:

Backward curved centrifugal fan. The range comprise 11 sizes with different speeds and air volumes from 800 do 13700 m<sup>3</sup>/h.

### Application

- These fans are designed for direct or ducted ventilation in residential, commercial and industrial buildings

### Composition

- Housing made of saltwater-proof aluminium AlMg3
- Integrated thermal contact
- Maintenance-free, long life ball bearings
- Swivel mounted fan section

### Accessories

- Transformer speed controllers type **BTRN**.
- Roof socket **RAC-I**
- Roof socket **RC-I**
- Flexible connector **RFC**
- Matching flange **RIF**
- Backdraught shutter **RAS**

### Order example

- REF-544: Mk.220 E2 + BTRN-1-S1 + RAC-I 280-315

BTRN-1-S1 = Type of controller

RAC-I 280-315 = Type of roof socket



# HIGH-POWERED VERTICAL DISCHARGE ROOF EXH. FAN

Rev.01  
27-05-2015



## Air performance data

Model	Qv (m³/h)										
	0Pa	50Pa	100Pa	200Pa	300Pa	500Pa	700Pa	900Pa	1100Pa	1300Pa	
Mk.	220 E2	800	740	690	560	405	25	-	-	-	-
	250 E4	615	490	340	-	-	-	-	-	-	-
	250 E2	1160	1100	1020	870	705	340	-	-	-	-
	280 E4	1095	920	725	130	-	-	-	-	-	-
	280 E2	1735	1665	1575	1360	-	-	-	-	-	-
	315 E4	1565	1375	1170	570	-	-	90	-	-	-
	355 E4	2695	2530	2295	1890	1325	-	-	-	-	-
	400 E4	3570	3410	3200	2730	2265	185	-	-	-	-
	450 D4	4960	4730	4460	3850	3145	1050	-	-	-	-
	500 D4	6860	6670	6460	5920	5360	3820	1055	-	-	-
	560 D4	10100	9745	9345	8570	7820	5870	3310	565	-	-
	630 D4	13740	13515	13325	12750	12140	10865	9395	7380	3960	190

SC<sub>T</sub> = speed controller

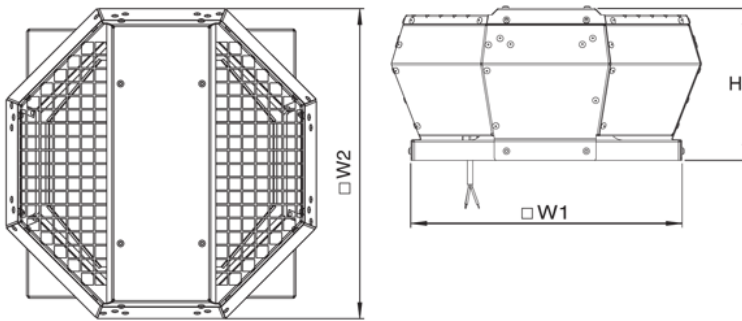
ta = Ambient Temperature

tm = Medium Temperature

L<sub>WA5</sub>=Inlet - sound power level [dB(A)]

L<sub>WA6</sub>=Outlet - sound power level [dB(A)]

The sound power levels are measured according to DIN 45635 part 2 & 38



## Dimensions

	H [mm]	W1 [mm]	W2 [mm]
ARF 220 E2	190	337	388
ARF 250 E4	190	337	388
ARF 250 E2	190	337	388
ARF 280 E4	249	437	541
ARF 280 E2	249	437	541
ARF 315 E4	249	437	541
ARF 355 E4	333	598	745
ARF 400 E4	333	598	745
ARF 450 D4	418	670	860
ARF 500 D4	418	670	860
ARF 560 D4	527	931	1165
ARF 630 D4	527	931	1165

