

HIGH-POWERED VERTICAL DISCHARGE ROOF E.F. WITH SECURE SWITCH

Rev.01
27-05-2015



GMC REF-545:

Backward curved centrifugal fan. The range comprise 11 sizes with different speeds and air volumes from 900 up to 9600 m³/h

Application

- These fans are designed for direct or ducted ventilation in residential, commercial and industrial buildings

Composition

- Housing made of seawater resistant aluminium AlMg3
- Integrated thermal contact
- Maintenance-free, long-life ball bearings
- Swivel mounted fan section
- Integrated isolator switch

Accessories

- Transformer speed controllers type **BTRN**
- Roof socket **RAC-I**
- Roof socket **RC-I**
- Flexible connector **RFC**
- Matching flange **RIF**
- Backdraught shutter **RAS**

Order example

- REF-545: Mk.220 E2

220= Size
E= 1x230V
2= 2800rpm



HIGH-POWERED VERTICAL DISCHARGE ROOF E.F. WITH SECURE SWITCH

Rev.01
27-05-2015



Air performance data

Model	Qv (m ³ /h)								
	0Pa	100Pa	200Pa	300Pa	400Pa	500Pa	600Pa	700Pa	
Mk.	220 E2	780	640	500	305	60	-	-	-
	250 E2	1255	1115	935	750	530	290	-	-
	250 E4	645	325	-	-	-	-	-	-
	280 E2	1755	1520	1240	945	655	470	280	-
	315 E4	1695	1305	660	-	-	-	-	-
	355 E4	2890	2475	1990	1325	-	-	-	-
	400 E4	4160	3715	3195	2565	1530	-	-	-
	355 D4	2775	2360	1850	990	-	-	-	-
	400 D4	4035	3620	3160	2530	1625	-	-	-
	450 D4	5835	5345	4815	4180	3375	2330	510	-
500 D4	8050	7620	7110	6590	6000	5210	4245	2410	

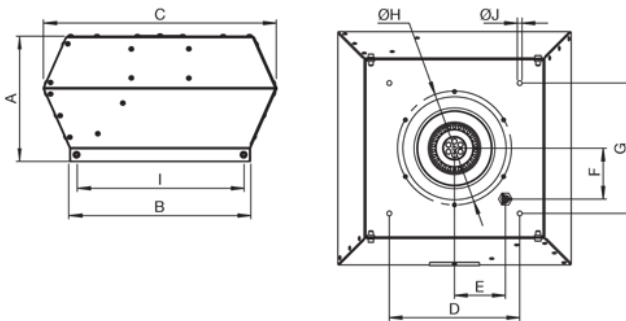
ta = Ambient Temperature

tm = Medium Temperature

L_{WA5}=Inlet - sound power level [dB(A)]

L_{WA6}=Outlet - sound power level [dB(A)]

The sound power levels are measured according to DIN 45635 part 2 & 38



Dimensions

Model	A [mm]	B [mm]	C [mm]	D [mm]	E [mm]	F [mm]	G [mm]	H [mm]	I [mm]	J [mm]	[kg]
Mk.	220 E2	235	335	439	245	92.5	245	Ø213	308	4xØ9	7.4
	250 E2	235	335	439	245	92.5	245	Ø213	308	4xØ9	8.1
	250 E4	235	335	439	245	92.5	245	Ø213	308	4xØ9	7.6
	280 E2	289	435	576	330	135	330	Ø286	408	4xØ9	11.5
	315 E4	289	435	576	330	135	330	Ø286	408	4xØ9	11
	355 E4	399	595	795	450	195.5	450	Ø438	570	4xØ11	24.2
	400 E4	399	595	795	450	195.5	450	Ø438	570	4xØ11	27.2
	355 D4	399	595	795	450	195.5	450	Ø438	570	4xØ11	23.6
	400 D4	399	595	795	450	195.5	450	Ø438	570	4xØ11	27.2
	450 D4	494	665	916	535	230.5	535	Ø438	640	4xØ9	38.5
500 D4	494	665	916	535	230.5	535	Ø438	640	4xØ9	47	

