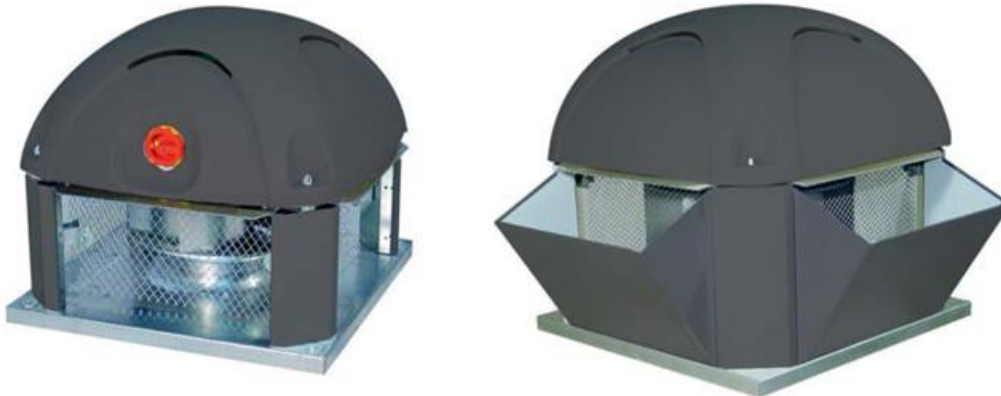


ROOF CLASS SMOKE VENTING FAN

Rev.01
27-05-2015



GMC SVF-623 / SVF-624:

Roof exhaust unit with horizontal (SVF-623) or vertical (SVF-624 - vertical discharge by means of directional hood) for smoke extraction (400°C/2h).

Advantages

- elegant and solid design;
- overall minimal dimensions due to the unidirectional vertical exhaust hood
- certified for working at 400°C/2h
- service switch integrated in standard delivery
- optional – the possibility of connecting external controllers
- optional - folding out kit for maintenance
- controllable airflows by means of frequency inverters or transformers

Application

- Exhausting air from big kitchens
- Fire exhaust systems in both residential and office buildings
- Ventilation in tertiary and industrial premises

Composition

The assembly impeller-motor is mounted on a plate supported by a 4 column-feet with a intake hole on the bottom

- Impeller: made of galvanized steel with aluminium hub, completely balanced;
- Electric motor, IP55 protection, 400V/3-phase, class F
- Hidden supports and pre-laquered toles
- Balancing control by measuring the vibrations
- Motor protection hood:
 - made of polypropylene
 - four small cuts for ventilating the motor
 - service switch already integrated
- Directional hood for vertical exhaust
- Protection grille on the impeller side made of galvanised steel
- Colour RAL 7015

ROOF CLASS SMOKE VENTING FAN

Rev.01
27-05-2015



Accessories

- Backdraught shutter type **CART**
- Support base, flat roof, without insulation, H=300 mm type **CTP**
- Support base, inclined roof (angle of roof have to given at order), without insulation, H=300 mm type **CTI**
- Connection flange type **PLV**
- Fire resistant flexible connection type **MAN**

Text for tender

- Roof exhaust unit with horizontal (SVF-623) or vertical (SWF-624 - vertical discharge by means of directional hood) for smoke extraction (400°C/2h).

Order example

- SVF-624: Mk.32 / 4-8T

SVF-623 = horizontal discharge; **SVF-624** = vertical discharge

Mk.32 = Impeller nominal diameter

4-8 = Number of poles, 2-speed

T = Electrical supply, 400V-3ph, **M** = 230V-1ph

Accessories:

CTP1 = Support base to flat roof

MAN 250 = Flexible connection

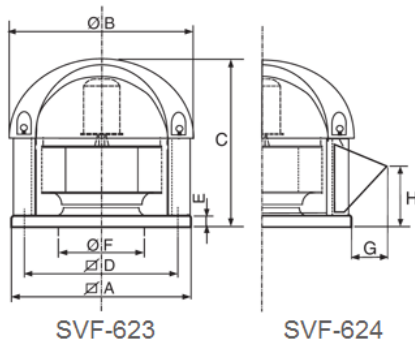
Technical data

	Ph	RPM	P (Kw)	U (A)	V	Hz	Speed	
Mk.	28/4M	1	1500	0.18	1.90	230	50	1 speed or volt modulation
	32/4M	1	1500	0.18	1.90	230	50	1 speed or volt modulation
	36/4M	1	1500	0.37	2.80	230	50	1 speed or volt modulation
	40/4M	1	1500	0.37	2.80	230	50	1 speed or volt modulation
	40/6M	1	1000	0.09	1.20	230	50	1 speed or volt modulation
	45/4M	1	1500	0.75	5.50	230	50	1 speed or volt modulation
	45/6M	1	1000	0.25	2.30	230	50	1 speed or volt modulation
	50/6M	1	1000	0.37	5.65	230	50	1 speed or volt modulation
	65/6M	1	1000	0.75	5.60	230	50	1 speed or volt modulation
	28/4T	3	1500	0.25	0.80	230/400	50	1 speed or freq. modulation
	32/4T	3	1500	0.25	0.80	230/400	50	1 speed or freq. modulation
	32/6T	3	1000	0.18	0.81	230/400	50	1 speed or freq. modulation
	36/4T	3	1500	0.37	1.06	230/400	50	1 speed or freq. modulation
	36/6T	3	1000	0.18	0.81	230/400	50	1 speed or freq. modulation
	40/4T	3	1500	0.37	1.06	230/400	50	1 speed or freq. modulation
	40/6T	3	1000	0.18	0.81	230/400	50	1 speed or freq. modulation
	45/4T	3	1500	0.75	2.01	230/400	50	1 speed or freq. modulation
	45/6T	3	100	0.37	1.20	230/400	50	1 speed or freq. modulation
	50/4T	3	1500	1.10	2.50	230/400	50	1 speed or freq. modulation
	50/6T	3	1000	0.37	1.20	230/400	50	1 speed or freq. modulation
	50/8T	3	750	0.25	0.88	230/400	50	1 speed or freq. modulation
	56/4T	3	1500	2.20	4.80	230/400	50	1 speed or freq. modulation
	56/6T	3	1000	0.75	2.10	230/400	50	1 speed or freq. modulation
	56/8T	3	750	0.37	1.20	230/400	50	1 speed or freq. modulation
	63/6T	3	1000	1.50	4.10	230/400	50	1 speed or freq. modulation
	63/8T	3	750	0.75	2.40	230/400	50	1 speed or freq. modulation
	71/6T	3	1000	2.20	5.90	230/400	50	1 speed or freq. modulation
	71/8T	3	750	1.10	3.80	230/400	50	1 speed or freq. modulation
	80/6T	3	1000	4	9.40	230/400	50	1 speed or freq. modulation
	80/8T	3	750	2.20	7.60	230/400	50	1 speed or freq. modulation
	100/6T	3	1000	5.50	13.30	230/400	50	1 speed or freq. modulation
	45/4T	3	1500	0.75	2.01	400	50	1 speed or volt modulation
	45/6T	3	1000	0.37	1.20	400	50	1 speed or volt modulation
	50/4T	3	1500	1.10	2.50	400	50	1 speed or volt modulation
	50/6T	3	1000	0.37	1.20	400	50	1 speed or volt modulation
	56/4T	3	1500	2.20	4.80	400	50	1 speed or volt modulation
	56/6T	3	1000	0.75	2.10	400	50	1 speed or volt modulation
	63/6T	3	1000	1.50	4.10	400	50	1 speed or volt modulation
	71/6T	3	1000	2.20	5.90	400	50	1 speed or volt modulation
	32/4-8T	3	1500/750	0.37/0.07	1.15/0.5	400	50	2 speed Dahlander
	36/4-8T	3	1500/750	0.37/0.07	1.15/0.5	400	50	2 speed Dahlander
	40/4-8T	3	1000/750	0.37/0.07	1.15/0.5	400	50	2 speed Dahlander
	45/4-8T	3	1500/750	0.75/0.12	2.3/0.9	400	50	2 speed Dahlander
	45/6-12T	3	1000/500	0.37/0.07	2/0.7	400	50	2 speed Dahlander
	50/4-8T	3	1500/750	1.10/0.18	2.8/1	400	50	2 speed Dahlander
	50/6-8T	3	1000/750	0.6/0.24	2/1.3	400	50	2 speed sep. winding
	50/6-12T	3	1000/500	0.37/0.07	2/0.7	400	50	2 speed Dahlander
	56/4-8T	3	1500/750	2.2/0.37	5.5/2.2	400	50	2 speed Dahlander
	56/6-8T	3	1000/750	0.6/0.24	2/1.3	400	50	2 speed sep. winding
	56/6-12T	3	1000/500	0.75/0.15	2.1/0.8	400	50	2 speed Dahlander
63/6-8T	3	1000/750	1.5/0.7	4/2.9	400	50	2 speed sep. winding	
63/6-12T	3	1000/500	1.5/0.25	4/1.5	400	50	2 speed Dahlander	
71/6-8T	3	1000/750	3/1.5	8.2/5.6	400	50	2 speed sep. winding	
71/6-12T	3	1000/500	2.2/0.37	5.6/2.1	400	50	2 speed Dahlander	
80/6-8T	3	1000/750	4.4/2.2	13.2/7	400	50	2 speed sep. winding	
80/6-12T	3	1000/500	4/0.65	10.4/3.8	400	50	2 speed Dahlander	
100/6-12T	3	1000/500	5.5/1.1	14.1/5.4	400	50	2 speed Dahlander	



ROOF CLASS SMOKE VENTING FAN

Rev.01
27-05-2015



Dimensions

	A [mm]	B [mm]	C [mm]	D [mm]	E [mm]	F [mm]	G [mm]	H [mm]	Kg
28	550	571	510	500	30	250	141	190	22
32	550	571	510	500	30	250	141	190	23
36	550	571	510	500	30	315	141	190	24
40	680	707	673	614	30	400	186	270	44
45	680	707	673	614	30	400	186	270	46
50	680	707	673	614	30	400	186	270	48
56	840	874	857	760	40	500	211	360	77
63	840	874	857	760	40	500	211	360	87
71	1050	1093	1061	950	40	630	269	427	120
80	1050	1093	1061	950	40	630	269	427	154
100	1050	1093	1061	950	40	710	269	427	220