

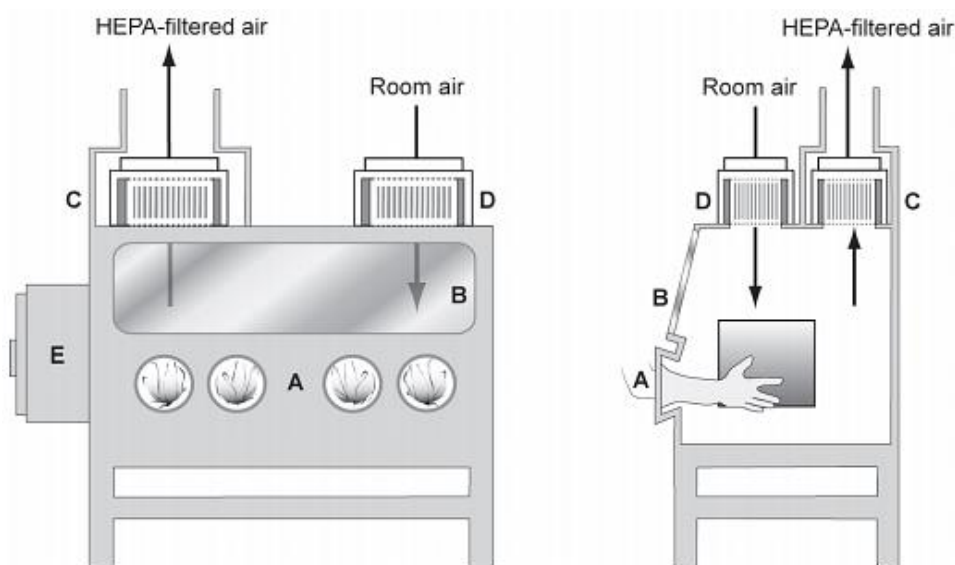
HEPA FILTER BOXES

Rev.02
27-05-2015



GMC HFB-092 PRODUCT SPECIFICATIONS:

- Standard Material: AISI-304 Stainless Steel.
- Suitable for air supply & extract air where hygienic requirements shall be met e.g hospitals, clean rooms, food industry and pharmaceutical facilities.
- Leakage test holes are available.
- Has three models: Circular Lateral Access (HFB-192), Circular Overhead Access (HFB-292), Rectangular Lateral Access (HFB-392).
- HEPA Filter Boxes are designed and manufactured in compliance with DIN 1946/Part4, with %100 leakage proof guarantee.
- Provides exact solutions to necessary applications with wide usage range.
- Eloxal, anodizing or electrostatic powder coating with the color from RAL catalogue.



HVAC Systems and Equipments Co.
4640 Hedgoxe Road 227 Plano, TX 75024 – US

www.gmcair.com

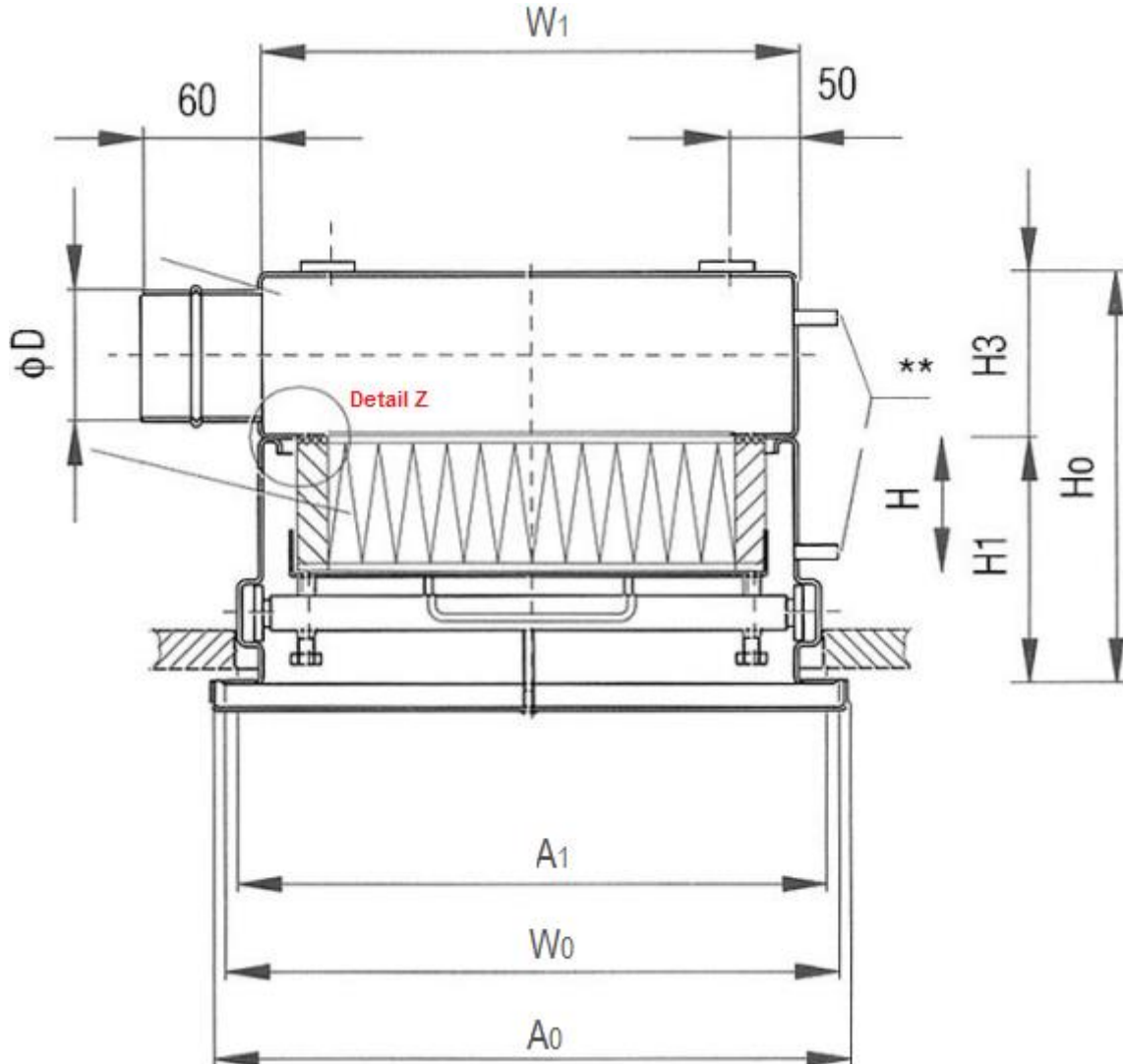
HEPA FILTER BOXES

Rev.02
27-05-2015



TECHNICAL DETAILS

HPF-192



HPF-192 STANDARD SELECTION TABLE

High Efficiency Filter	ØD	A ₀	W ₀	W ₁	A ₁	H ₀	H ₁	H ₃
305 x 305 x 150	148	355	348	319	324	450	270	178
457 x 457 x 78	198	507	500	471	476	428	198	230
457 x 457 x 150	198	507	500	471	476	500	270	230
610 x 610 x 78	198	660	653	624	629	428	198	230
610 x 610 x 150	298	660	653	624	629	600	270	330
610 x 610 x 292	348	660	653	624	629	792	412	378



HVAC Systems and Equipments Co.
4640 Hedgoxe Road 227 Plano, TX 75024 – US

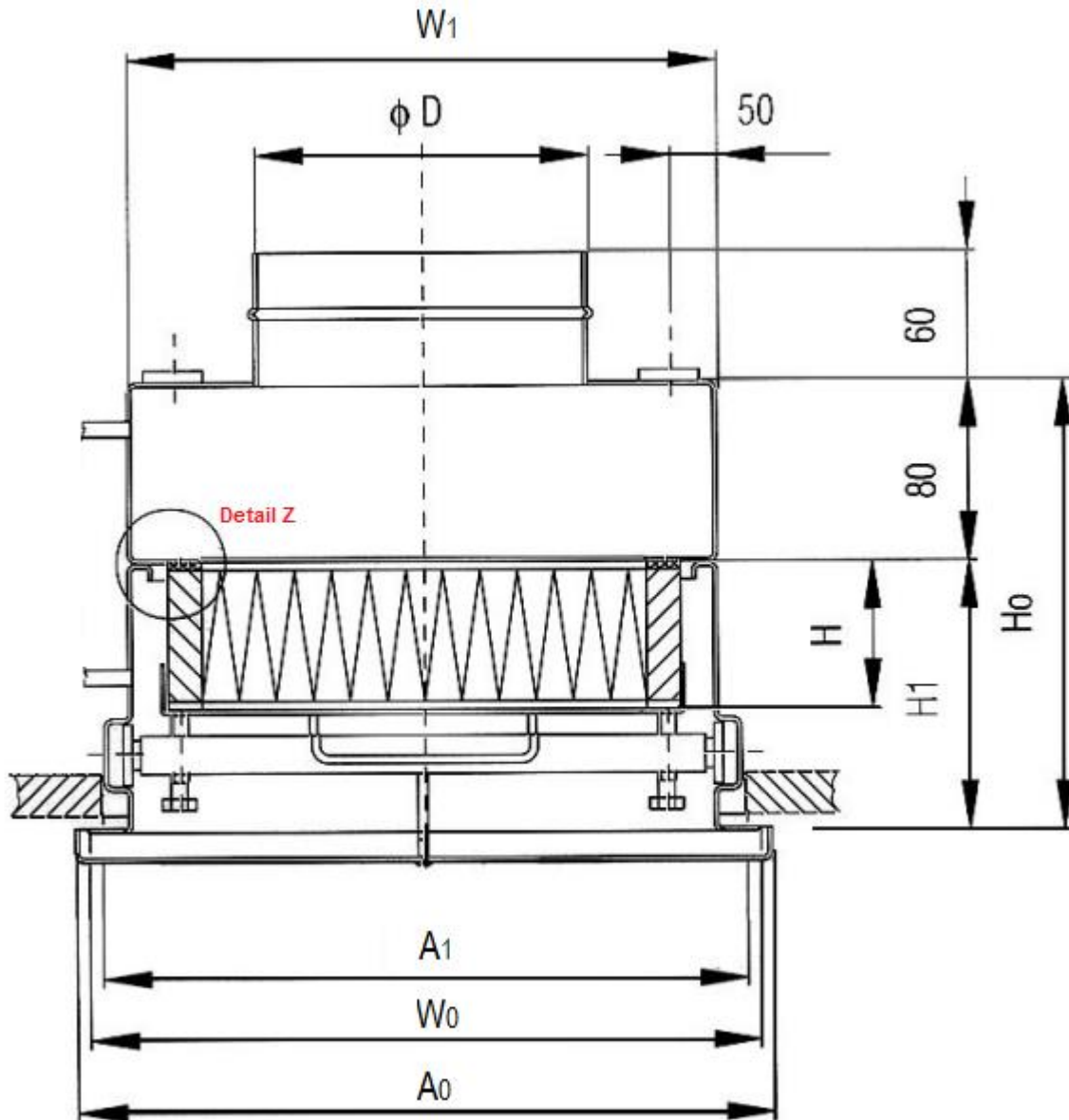
www.gmcair.com

HEPA FILTER BOXES

Rev.02
27-05-2015



HBF-292



HFB-292 STANDARD SELECTION TABLE

High Efficiency Filter	ϕD	A_0	W_0	W_1	A_1	H_0	H_1
305 x 305 x 150	148	355	348	319	324	350	270
457 x 457 x 78	198	507	500	471	476	278	198
457 x 457 x 150	198	507	500	471	629	350	270
610 x 610 x 78	198	660	653	624	629	278	198
610 x 610 x 150	298	660	653	624	629	350	270
610 x 610 x 292	348	660	653	624	629	492	412

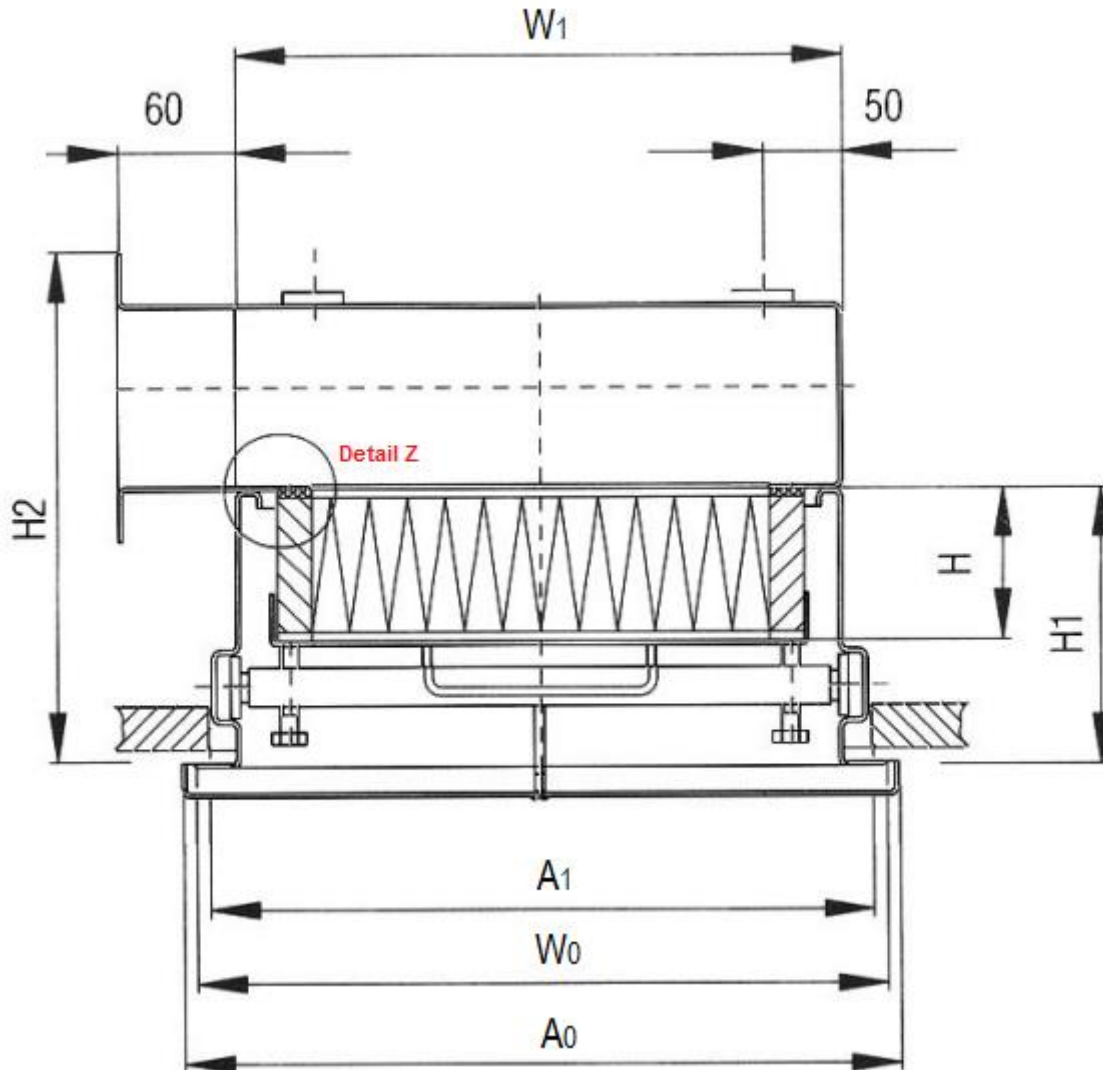


HEPA FILTER BOXES

Rev.02
27-05-2015



HFB-392



HFB-392 STANDARD SELECTION TABLE

High Efficiency Filter	A ₀	W ₀	W ₁	A ₁	H ₁	H ₂	a ₁	b ₁	b ₂
305 x 305 x 150	355	348	319	324	270	400	250	100	136
457 x 457 x 78	507	500	471	476	198	198	328	400	100
457 x 457 x 150	507	500	471	476	270	400	400	100	136
610 x 610 x 78	660	653	624	629	198	328	500	100	136
610 x 610 x 150	660	653	624	629	270	460	560	160	196
610 x 610 x 292	660	653	624	629	412	642	560	200	236



HVAC Systems and Equipments Co.
4640 Hedgoxe Road 227 Plano, TX 75024 – US

www.gmcair.com

HEPA FILTER BOXES

Rev.02
27-05-2015

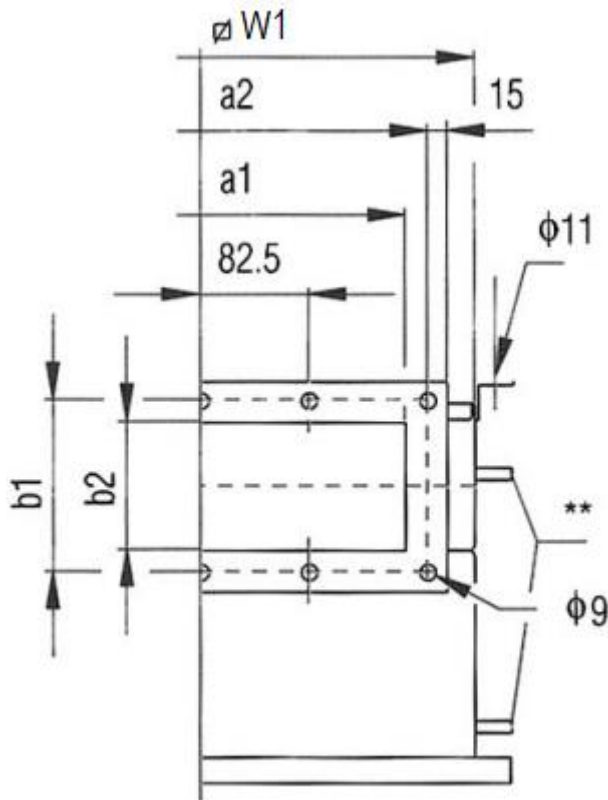


Fig.01: Detail Z Schematic

FILTER AND DIFFUSER SELECTION TABLES

Type	High Efficiency Filter	Box Size	SCD-120 SCD-220	SWD-226 SWD-326	TWD-126
1	305 x 305 x 78	355 x 355	225 x 225	400	-
2	457 x 457 x 78	507 x 507	375 x 375	500, 600, 625	400
	457 x 457 x 150	660 x 600	450 x 450	500, 600, 625	400
3	610 x 610 x 78	660 x 660	525 x 525	600, 625	600, 625
4	610 x 610 x 150	660 x 660	525 x 525	600, 625	660
5	610 x 610 x 292	660 x 660	525 x 525	660	660

Type	High Efficiency Filter	Nominal Pressure	Air Volume (m ³ /h)	Air Velocity (m/s)	Max. Temperature	% Humidity
1	305 x 305 x 78	250	290	1.0	70	100
2	457 x 457 x 78	250	660	1.1	70	100
	457 x 457 x 150	250	660	1.1	70	100
3	610 x 610 x 78	250	1200	1.1	70	100
4	690 x 610 x 150	250	1200	1.1	70	100
5	610 x 610 x 292	250	2400	2.4	70	100



HVAC Systems and Equipments Co.
4640 Hedgcoxe Road 227 Plano, TX 75024 – US

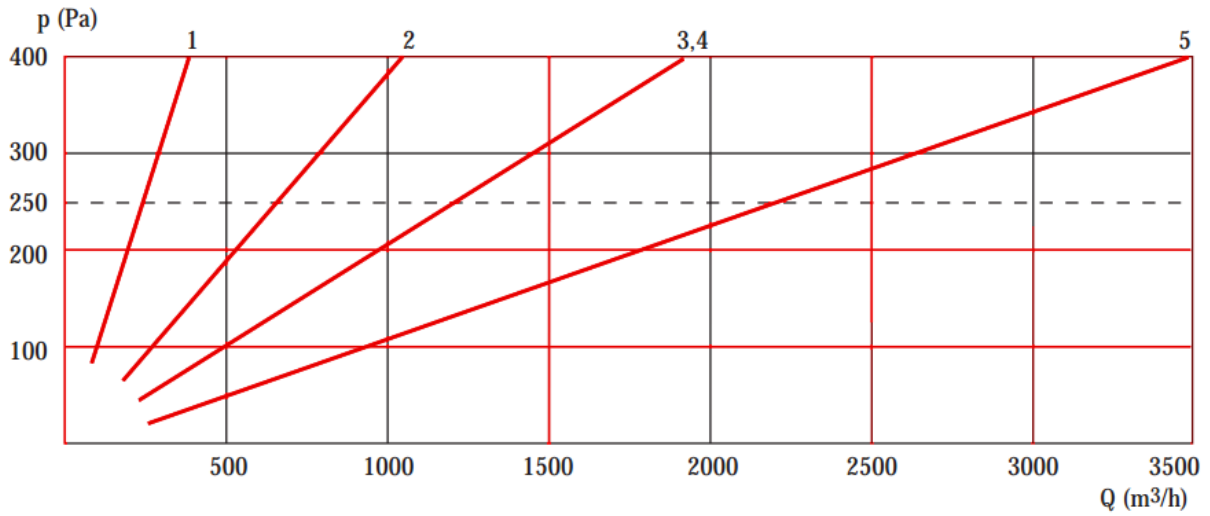
www.gmcair.com

HEPA FILTER BOXES

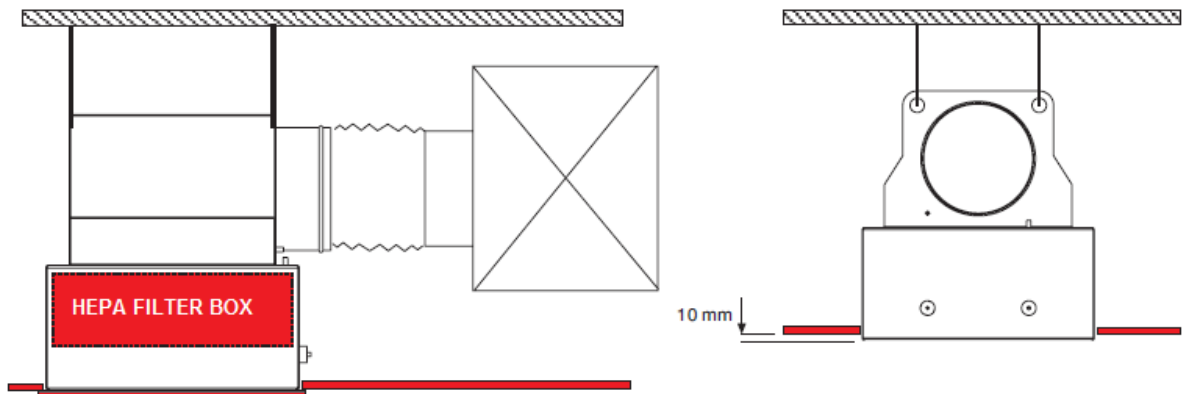
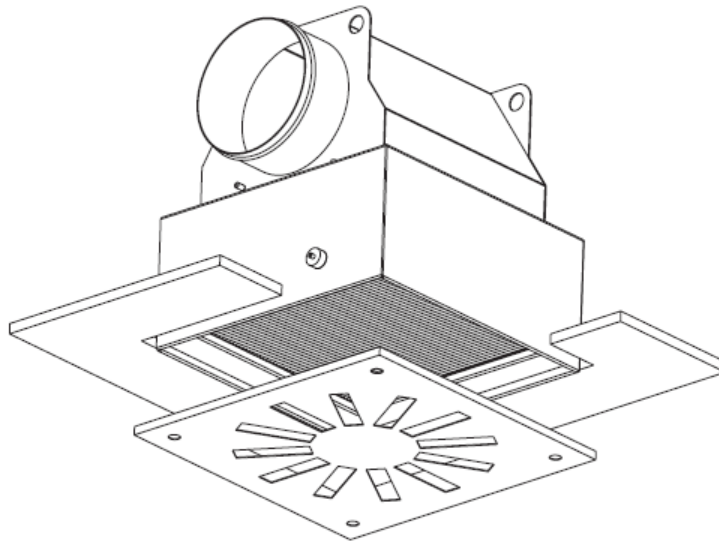
Rev.02
27-05-2015



PRESSURE LOSS DIAGRAM



MOUNTING DETAILS



HEPA FILTER BOXES

Rev.02
27-05-2015



ORDER PARAMETERS

HFB-092	OD9010	305X305X150
<p>HFB-192: Circular Lateral Access</p> <p>HFB-292: Circular Overhead Acc.</p> <p>HFB-392: Rectangular Lateral Acc.</p> <p>00: No Coating</p> <p>EX: Eloxal Coating</p> <p>OD----: Oven Drying Coating</p>		<p>Filter Size Class: 305X305X150</p> <p>Filter Size Class: 457X457X78</p> <p>Filter Size Class: 457X457X150</p> <p>Filter Size Class: 610X610X78</p> <p>Filter Size Class: 610X610X150</p> <p>Filter Size Class: 610X610X292</p>

