

DUCT TYPE ELECTRO-HEATER UNIT

Rev.02
27-05-2015



GMC DTH-095 PRODUCT SPECIFICATIONS:

- Standard Material: Galvanized Steel Sheet. Optional: Stainless Steel.
- Used as pre-heating elements in ventilation systems with fresh air.
- Has two models: Standard Model (DTH-195) and Circular Model (DTH-295).
- Fixed with bolts to air ducts.



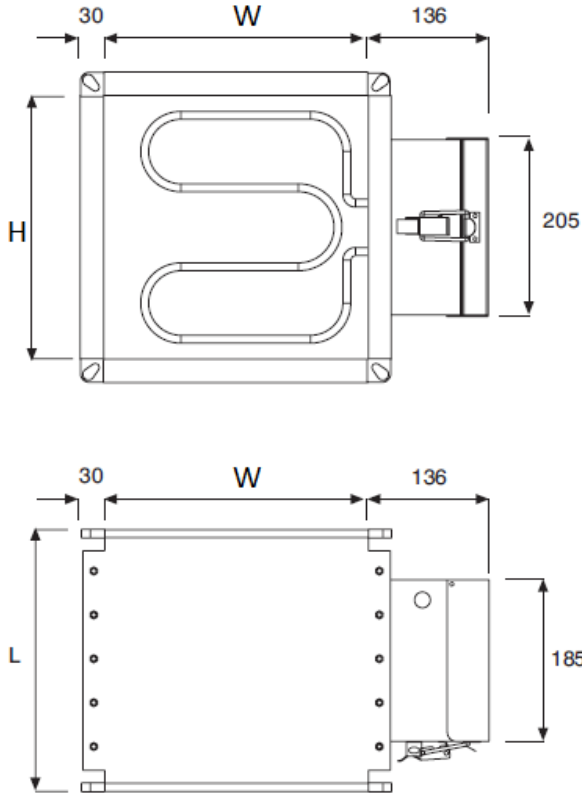
DUCT TYPE ELECTRO-HEATER UNIT

Rev.02
27-05-2015



TECHNICAL DETAILS

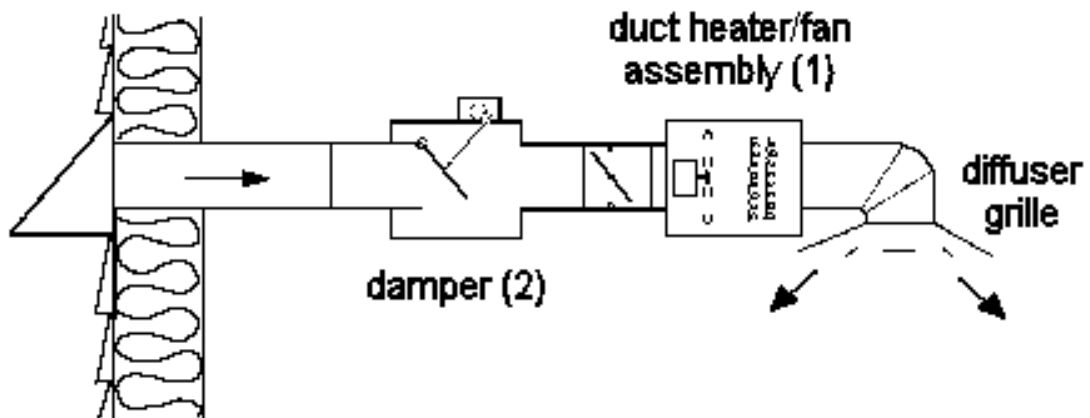
DTH-095



STANDARD DIMENSIONS

W (mm)	H (mm)
200	200
250	250
300	300
350	350
400	400
450	450
500	500
550	550
600	600
800	800

Product's length (L) is variable according to resistance's power (Watt).



DUCT TYPE ELECTRO-HEATER UNIT

Rev.02
27-05-2015



ORDER PARAMETERS

DTH-095	-	GA
DTH-195: Prismatic Model DTH-295: Circular Model		SS: Stainless Steel GA: Galvanised
- Standard Application		

