

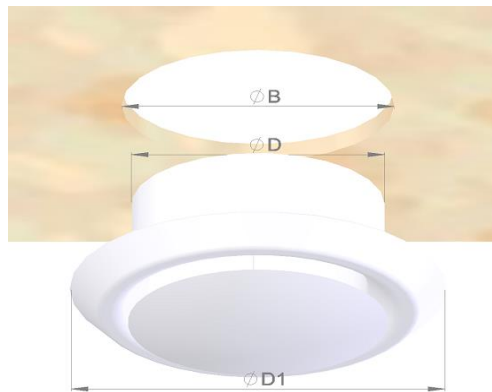
# DISC VALVES

Rev.02  
26-05-2015



## GMC DV-022 PRODUCT SPECIFICATIONS:

- Standard Material: Aluminum profile. Optional: Galvanic sheet.
- Usable for both return and supply air ducts. Used in kitchens and bathrooms, generally.
- Has two types: Short Spigot (DV-122: Suitable for box connection) and Long Spigot (DV-222: Suitable for direct flex connection).
- Suitable design for high air speed and noise.
- Blind-frame mounted to the wall with 4 mm screws. Disc assembles with the frame by manual rotation.
- Eloxal, anodizing or electrostatic powder coating with the color from RAL catalogue.



**HVAC Systems and Equipments Co.**  
4640 Hedgoxe Road 227 Plano, TX 75024 – US

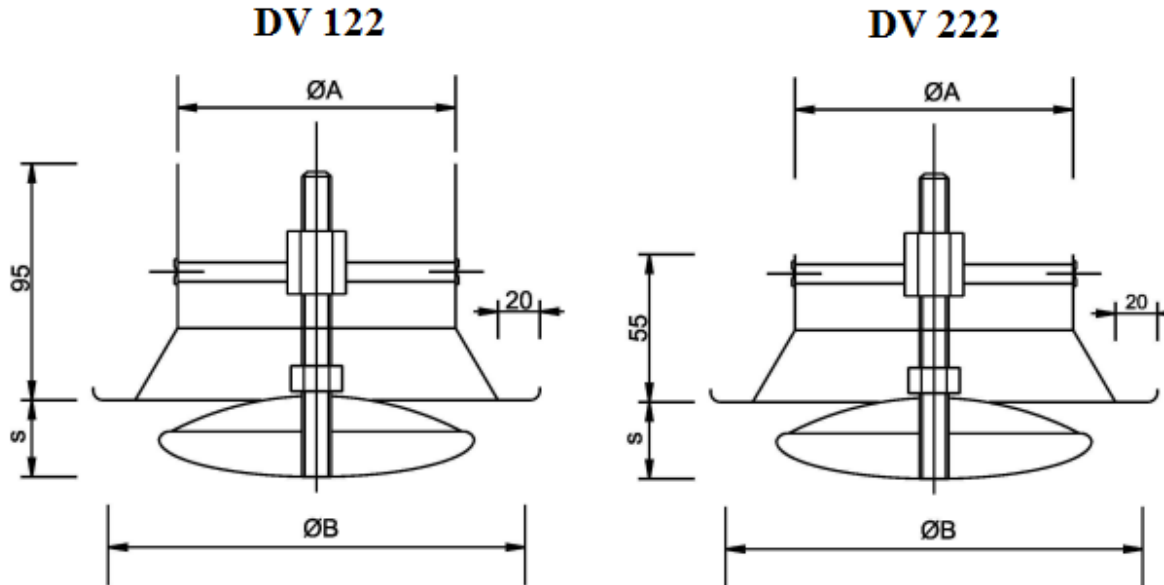
[www.gmcair.com](http://www.gmcair.com)

# DISC VALVES

Rev.02  
26-05-2015



## TECHNICAL DETAILS



### SELECTION TABLES

#### DV 122 Short Spigot (Suitable to Box Connection)

Standard sizes (ø)	ø A	ø B	Air volume(m <sup>3</sup> /h)
100	97	137	140
125	123	164	200
150	148	200	280
200	198	250	350

#### DV 222 Long Spigot (Suitable to direct flexible)

Standard sizes (ø)	ø A	ø B	Air volume(m <sup>3</sup> /h)
80	75	135	100
100	95	165	140
125	120	200	200
150	145	235	280
200	195	295	350



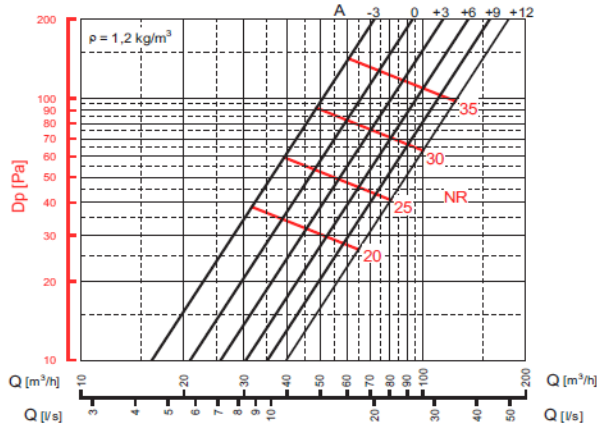
# DISC VALVES

Rev.02  
26-05-2015

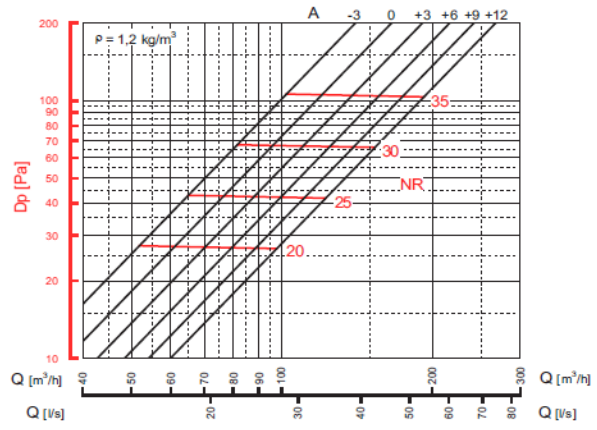


## DATA DIAGRAMS

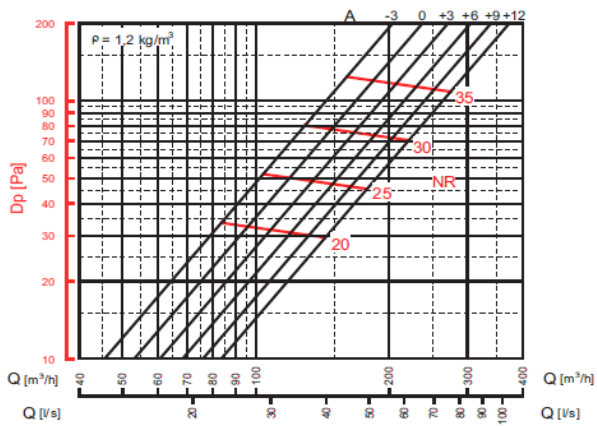
### DV-022, PRESSURE DROP AND NOISE LEVELS



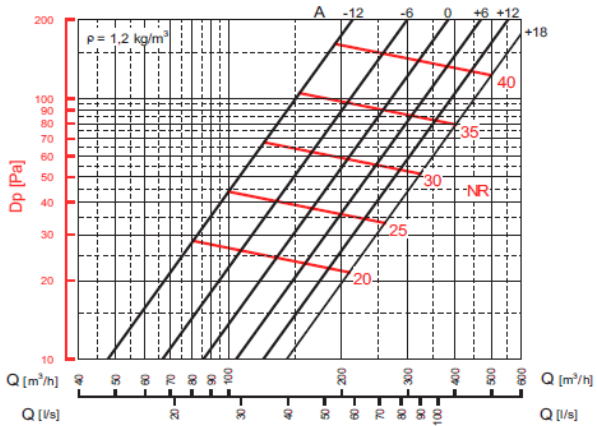
DV-022 / ø100



DV-022 / ø125



DV-022 / ø150



DV-022 / ø200

- Q [m³/h] [l/s] supply air flow rate
- NR noise rating (ISO standard, in relation to 10<sup>-12</sup> W) taking no account of the attenuation of the room
- Dp [Pa] total pressure loss
- A [mm] screwing of the disc (positive values for disc protruding from the edge)



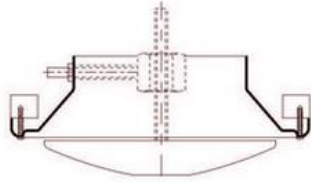
# DISC VALVES

Rev.02  
26-05-2015

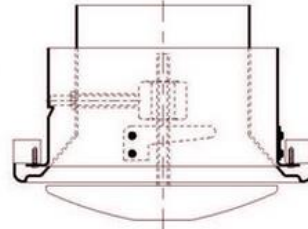


## MOUNTING DETAILS

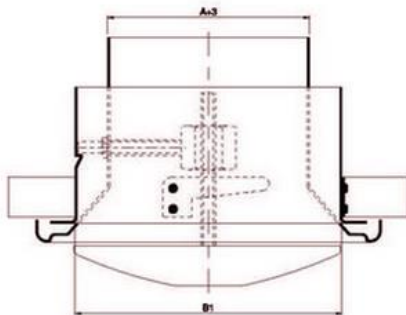
DV 122 SHORT SPIGOT SCREW MOUNTING



DV 222 LONG SPIGOT (+BLIND FRAME) SCREW MOUNTING



DV 222 LONG SPIGOT (+BLIND FRAME) PLATE-SPRING MOUNTING



### ORDER PARAMETERS:

DV-022	OD9010	SS	D 160
<p><b>DV-122:</b> Short Spigot with Plenum Box.</p> <p><b>DV-122:</b> Long Spigot, able to fix air ducts directly.</p> <p><b>00:</b> No coating <b>EX:</b> Eloxal Coating <b>OD----</b>: Oven Drying Coating</p>			<p><b>D = Neck Size</b></p> <p>= 90 = 120 = 160 = 200</p> <p><b>00:</b> No Mounting <b>BF:</b> Blind Frame <b>SM:</b> Screw Mounting <b>SS:</b> Spot-Spring Mounting</p>

