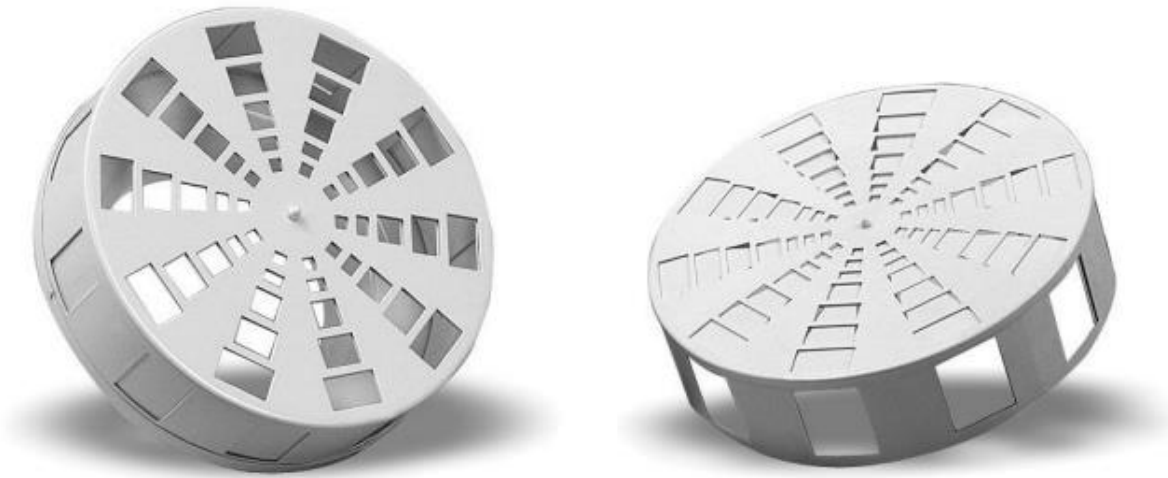


IDEAL COMFORT DIFFUSERS

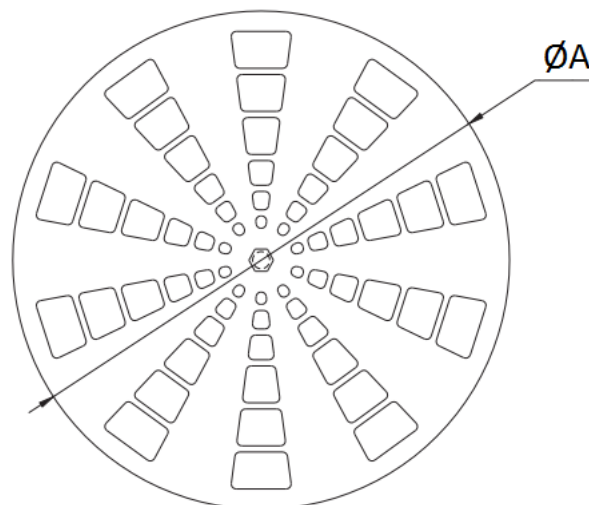
Rev.02
26-05-2015



GMC ICD-029 PRODUCT SPECIFICATIONS:

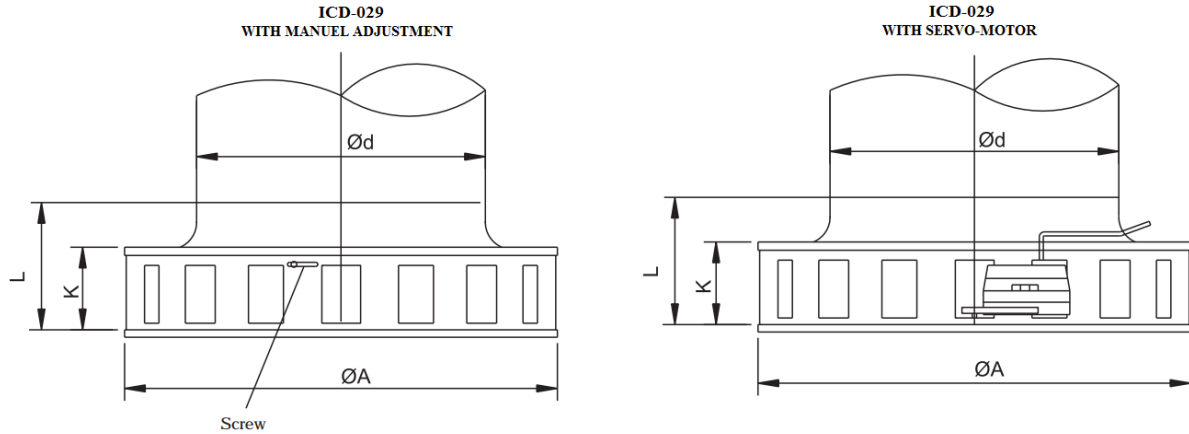
- Standard Material: 1mm DKP sheet.
- It ensures greater control in heating and cooling application.
- Pressure loss and noise level are kept steady when air flow direction is changed. Able to servo-motor activation.
- Able to providing vertical or horizontal air flow according to cooled/heated air behavior; In cooling process, air flow diffuses from lateral outlets, in heating, it diffuses from bottom outlets.
- Suitable for applications between 4-15 meters height.
- Electrostatic powder coating(oven-drying) with the color from RAL catalogue.

TECHNICAL DETAILS



IDEAL COMFORT DIFFUSERS

Rev.02
26-05-2015

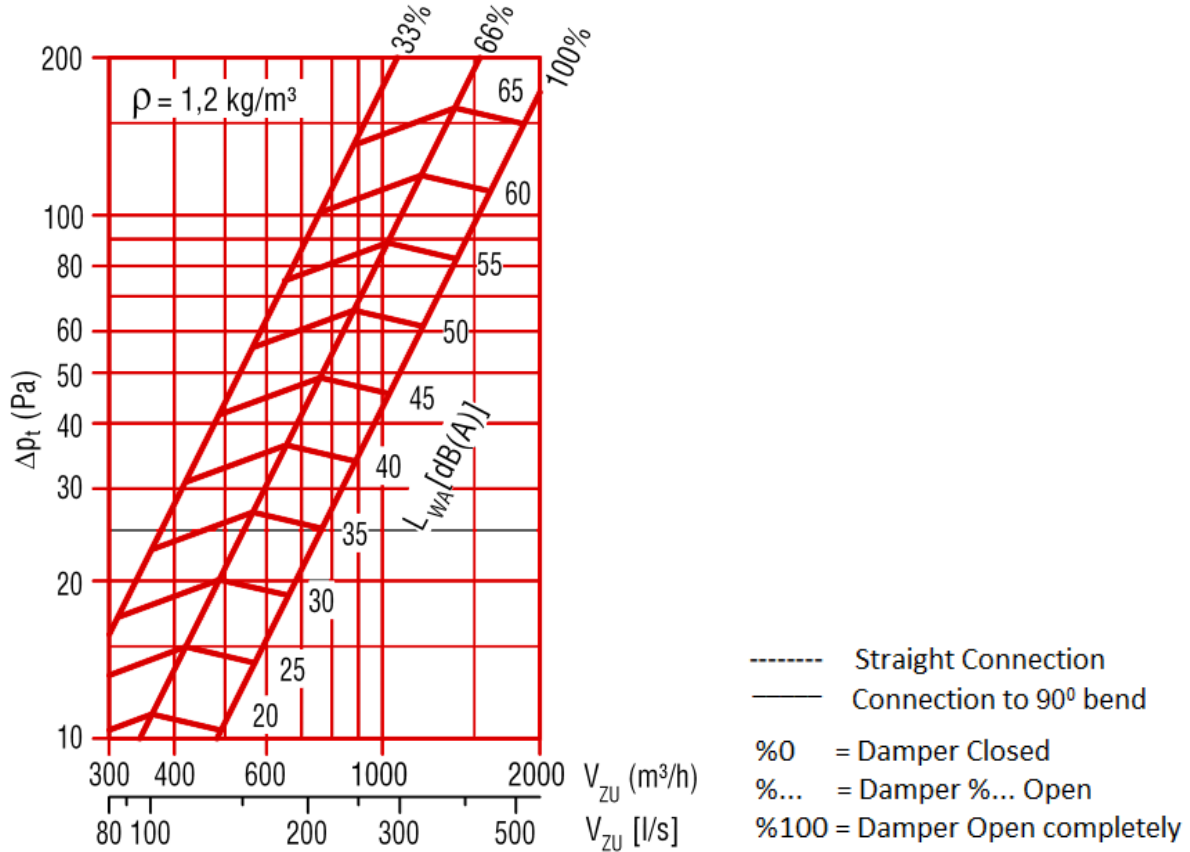


ICD-029 STANDARD SELECTION TABLE

Standard size	Ø A	Ø d	L	K	Min.Ceiling high (m)	Air volume(m ³ /h) Vmin-Vmax
300	302	180	144	79	3	200-1000
400	402	250	178	98	3	300-2000
500	502	315	200	120	4	400-2500
600	602	400	221	136	5	500-4000
800	802	500	310	185	5	800-7000

DATA DIAGRAMS

ICD-029, PRESSURE DROP AND NOISE LEVELS

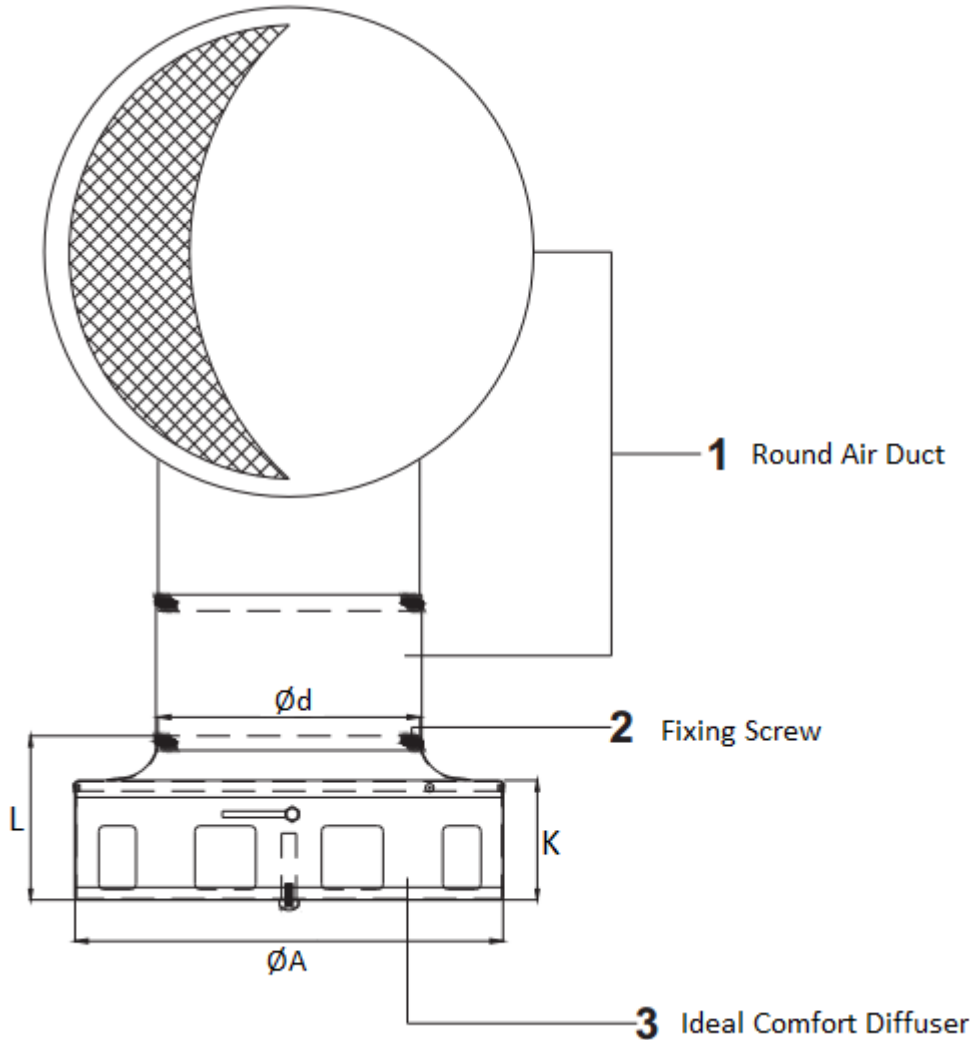


IDEAL COMFORT DIFFUSERS

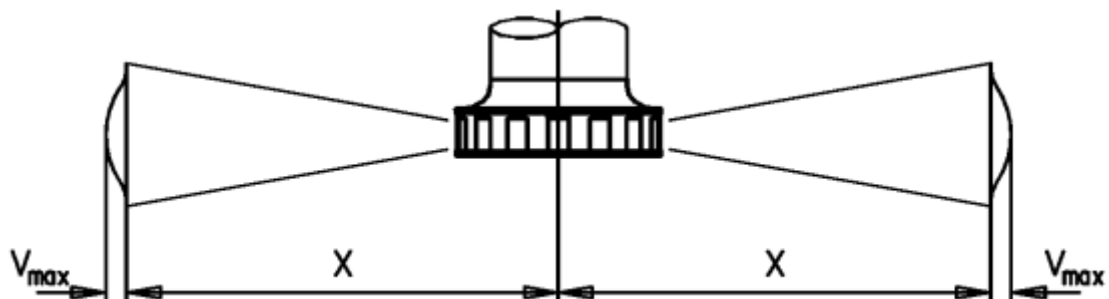
Rev.02
26-05-2015



MOUNTING DETAILS



COANDA EFFECT SCHEMATIC



IDEAL COMFORT DIFFUSERS

Rev.02
26-05-2015



ORDER PARAMETERS:

ICD-029	PL	SRO	OD9010	00	D 180
00: Standard Duct Connection AS: Adjustable Spigot PL: Plenum Box MNO: Manual Operated SRO: Servo-Operated		00: No Mounting SM: Screw Mounting 00: No coating OD----: Oven Paint Coating			D: Neck Size

