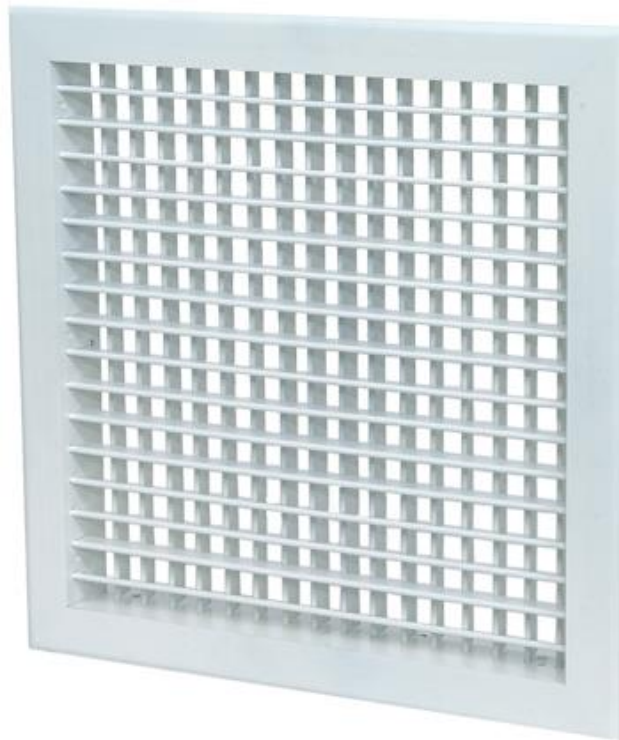


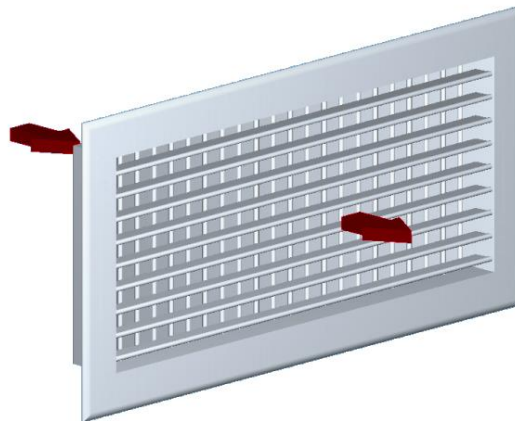
DOUBLE DEFLECTION GRILLE

Rev.02
26-05-2015



GMC DDG-002 PRODUCT SPECIFICATIONS:

- Standard Material: Aluminum. Used for supply and return air ducts.
- Aerodynamic blades are easily adjustable.
- Mounted with 4 mm screws on frame. Optional: Clips or Plate-spring assemblies.
- On request, damper can be added to control air flow rate.
- Low pressure loss.
- Standard frame: Grilles with 22mm or 32mm.
- Eloxal, anodizing or electrostatic powder coating with the color from RAL catalogue.

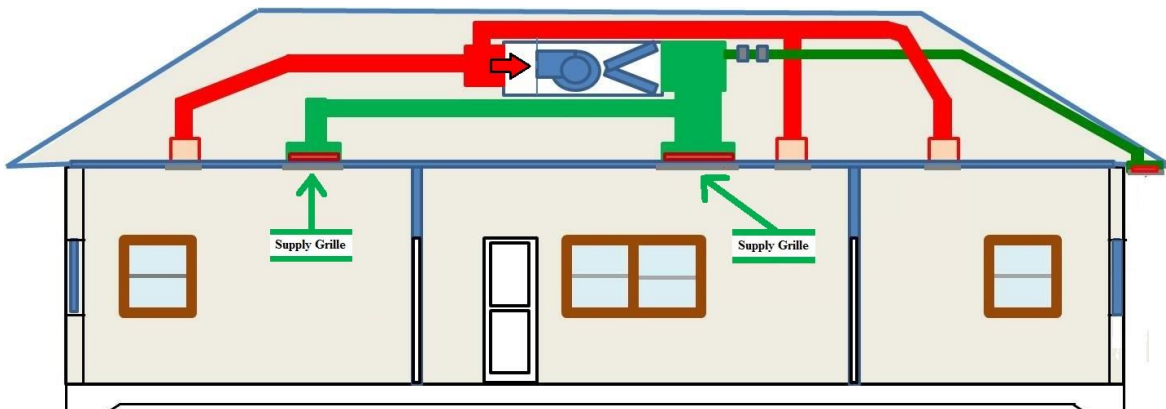
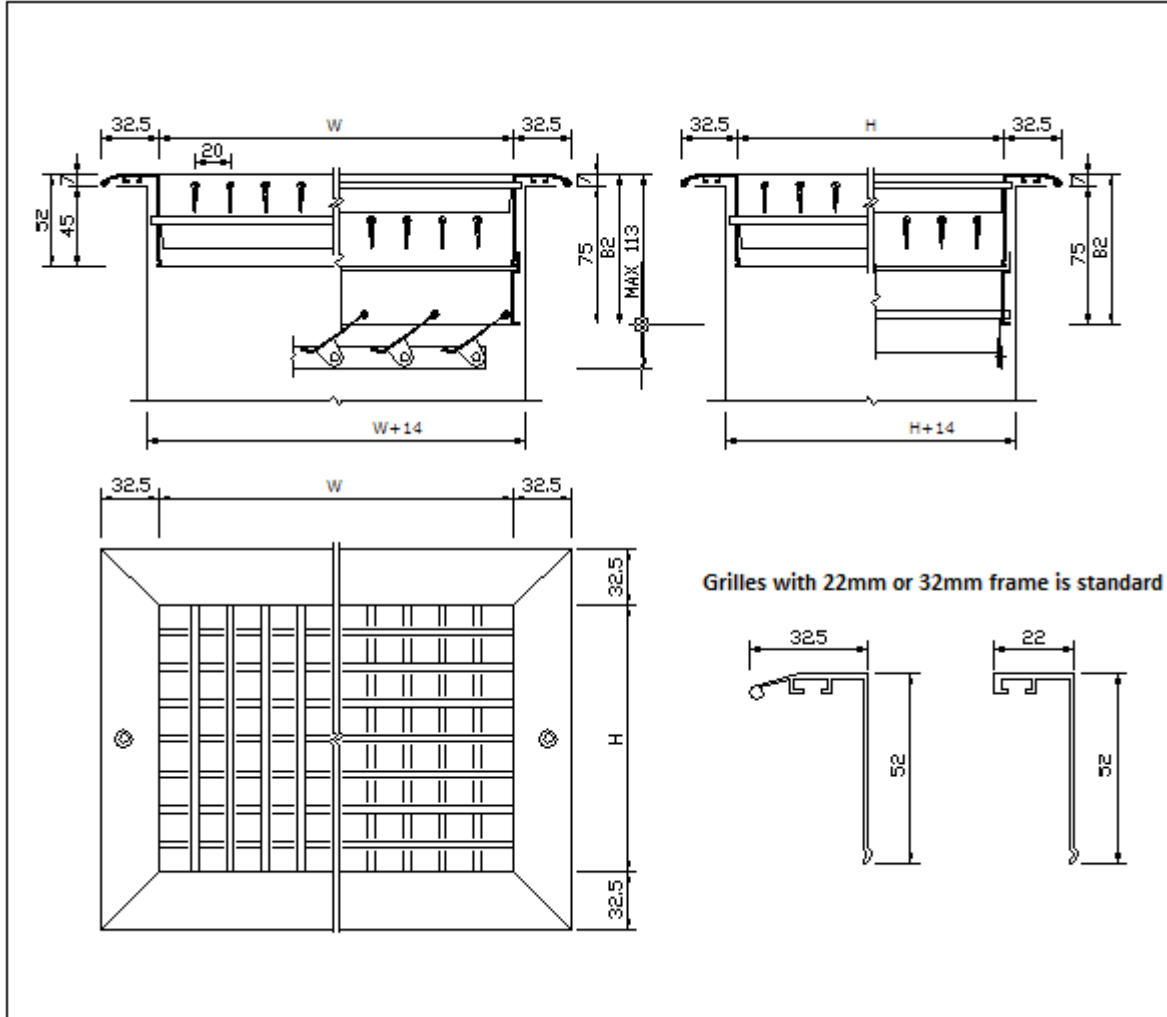


DOUBLE DEFLECTION GRILLE

Rev.02
26-05-2015



TECHNICAL DETAILS



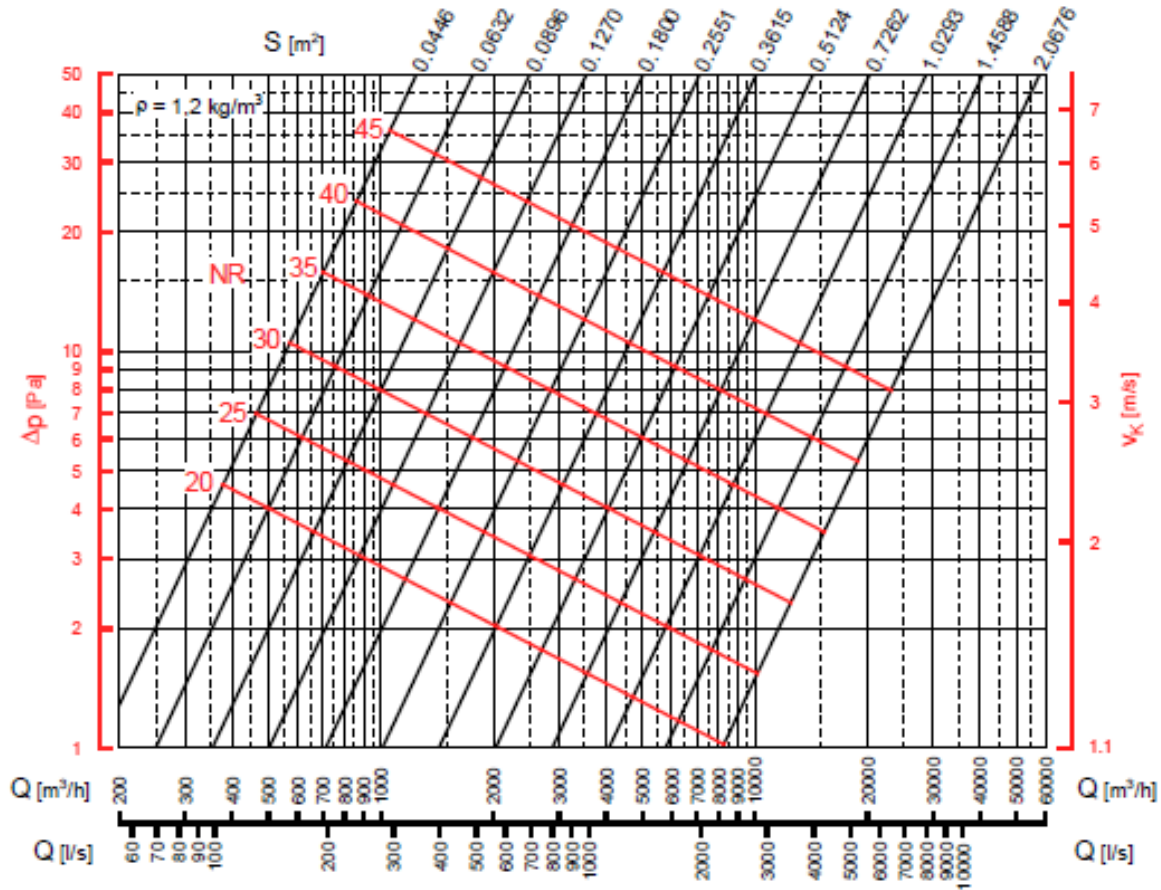
DOUBLE DEFLECTION GRILLE

Rev.02
26-05-2015



DATA DIAGRAMS

DDG-002, PRESSURE DROP AND NOISE LEVELS



- Q [m³/h] supply air flow rate
- S [m²] effective outlet area
- v_k [m/s] velocity relating to the effective outlet area S
- Δp [Pa] total pressure loss
- NR noise rating (ISO standard, in relation to 10^{-12} W) taking no account of the attenuation of the room
- D [°] angle of deflection of the fins

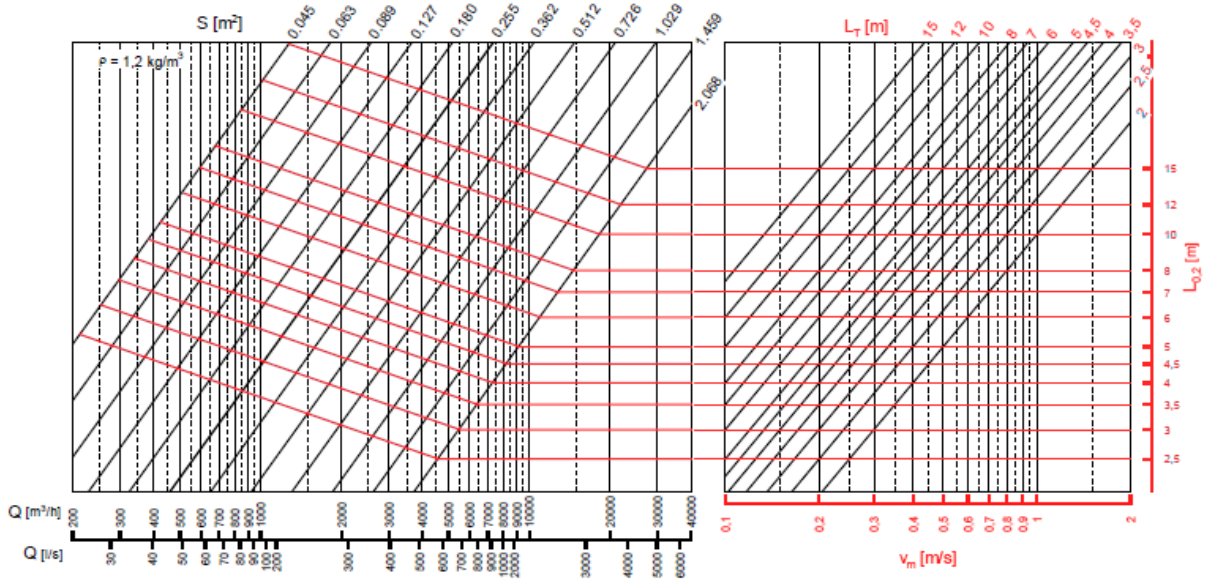


DOUBLE DEFLECTION GRILLE

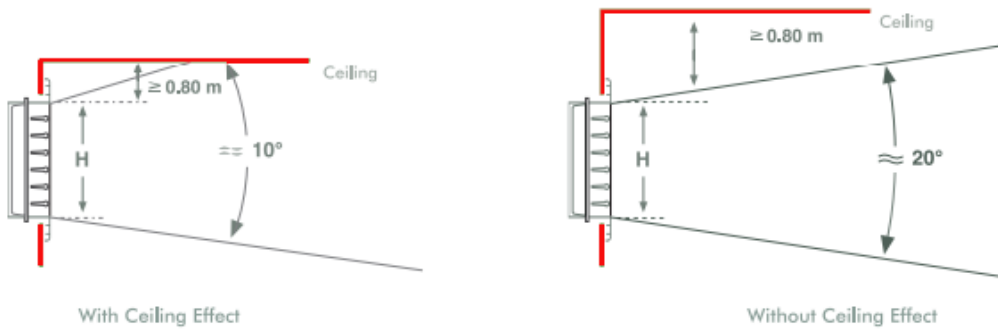
Rev.02
26-05-2015



DDG-002, THROW DISTANCES (m)



- Q [m^3/h] supply air flow rate
- S [m^2] effective outlet area
- V_k [m/s] velocity relating to the effective outlet area S
- v_m [m/s] terminal velocity relating to the throw axis
- D [$^\circ$] angle of deflection of the fins
- L_T [m] horizontal isothermal throw with ceiling effect angle of deflection $D = 0$



Correction factor for throw distance

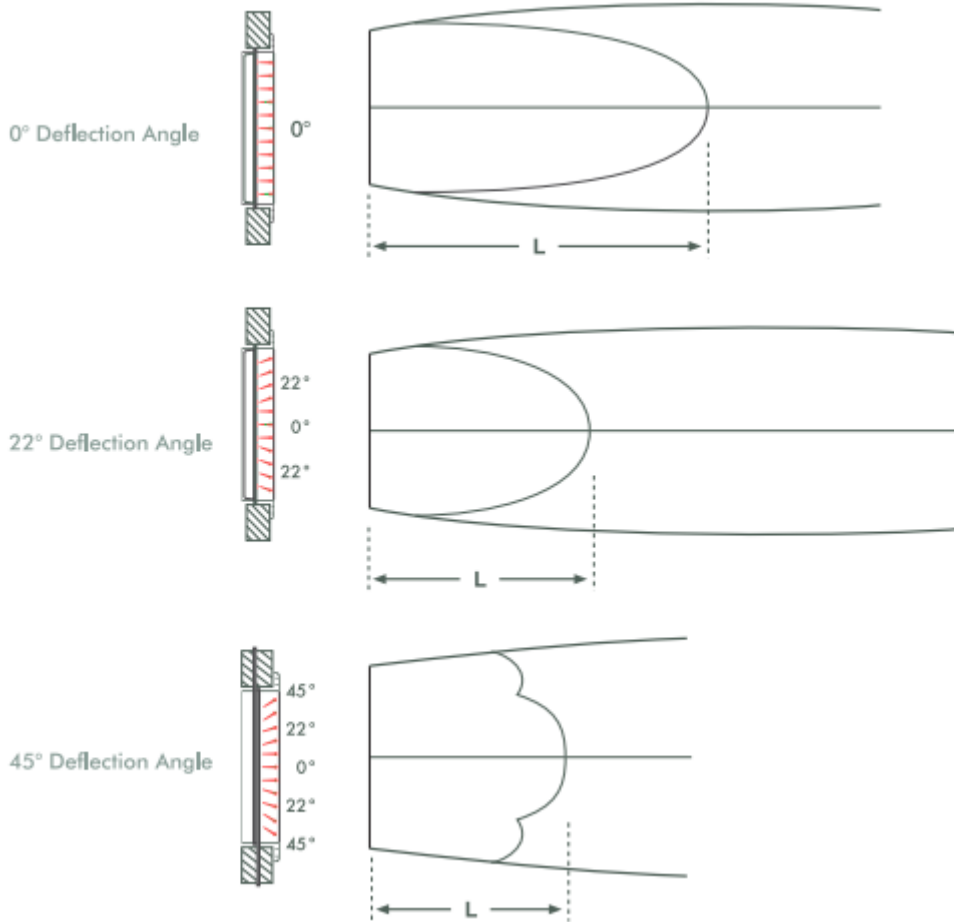
$$L1 = 0,7 * L$$

- L Throw distance with ceiling effect
- $L1$ Throw distance without ceiling effect



DOUBLE DEFLECTION GRILLE

Rev.02
26-05-2015



DDG-002, EFFECTIVE AREA TABLE (m²)

		H (mm)												
		100	150	200	250	300	350	400	450	500	600	700	800	900
W (mm)	100	0,006	0,009	0,012	0,015	0,018	0,021	0,024	0,027	0,030	0,036	0,042	0,048	0,054
	150	0,009	0,014	0,019	0,023	0,028	0,033	0,037	0,042	0,047	0,056	0,065	0,074	0,83
	200	0,012	0,019	0,026	0,031	0,038	0,044	0,050	0,056	0,063	0,075	0,088	0,100	0,112
	250	0,015	0,023	0,031	0,039	0,047	0,054	0,062	0,069	0,077	0,092	0,107	0,123	0,138
	300	0,018	0,028	0,038	0,047	0,056	0,065	0,075	0,083	0,093	0,112	0,130	0,148	0,167
	350	0,021	0,033	0,044	0,054	0,065	0,075	0,086	0,096	0,107	0,129	0,150	0,171	0,192
	400	0,024	0,037	0,050	0,062	0,075	0,086	0,099	0,111	0,124	0,148	0,172	0,197	0,221
	450	0,027	0,042	0,056	0,069	0,083	0,096	0,111	0,123	0,138	0,165	0,192	0,219	0,247
	500	0,030	0,047	0,063	0,077	0,093	0,107	0,124	0,138	0,154	0,184	0,215	0,245	0,276
	600	0,036	0,056	0,075	0,092	0,112	0,129	0,148	0,165	0,184	0,221	0,257	0,294	0,330
	700	0,042	0,065	0,088	0,107	0,130	0,150	0,172	0,192	0,215	0,257	0,300	0,342	0,384
	800	0,048	0,074	0,100	0,123	0,148	0,171	0,197	0,219	0,245	0,294	0,342	0,390	0,439
900	0,054	0,083	0,112	0,138	0,167	0,192	0,221	0,247	0,276	0,330	0,384	0,439	0,493	
1000	0,060	0,093	0,125	0,153	0,185	0,213	0,246	0,274	0,306	0,366	0,427	0,487	0,548	
1100	0,066	0,102	0,137	0,168	0,204	0,235	0,270	0,301	0,336	0,403	0,469	0,536	0,602	
1200	0,072	0,111	0,150	0,183	0,222	0,256	0,294	0,328	0,367	0,439	0,512	0,584	0,656	



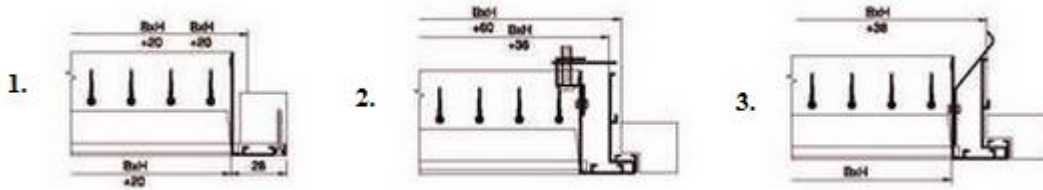
DOUBLE DEFLECTION GRILLE

Rev.02
26-05-2015

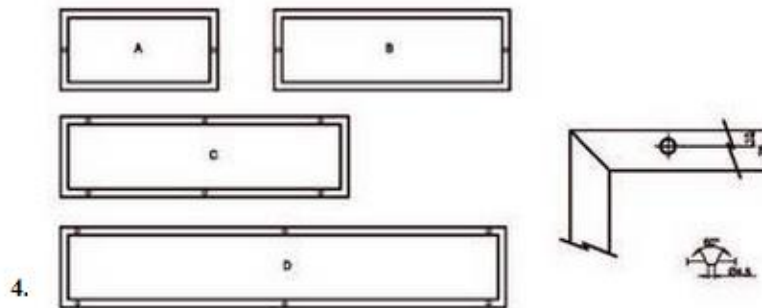


MOUNTING DETAILS

1. Screw Mounting Detail
2. Clips with hidden blind-frame Mounting Detail
3. Safety catch with hidden blind-frame Mounting Detail



4. Screw Socket Locations



L \ H	200	250	300	400	500	600	800	1000	1200 1500
100	A	A	A	A	A	C	C	C	D
150		A	A	A	A	C	C	C	D
200				B	B	C	C	C	D
300					B	C	C	C	D

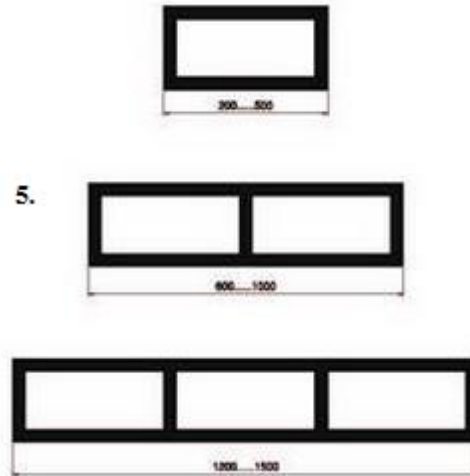


DOUBLE DEFLECTION GRILLE

Rev.02
26-05-2015

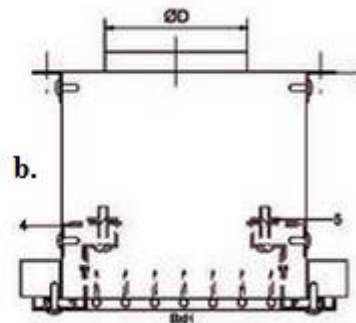
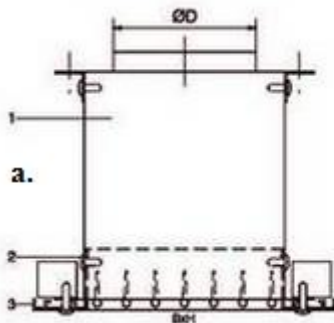


5. Multi Grilles Lay-out



6. Plenum Box Mounting Details

- a. Standard Duct Mounting
- b. Standard Clips Mounting



DOUBLE DEFLECTION GRILLE

Rev.02
26-05-2015



ORDER PARAMETERS

DDG-002	PL	22	PFD	OD9010	SM	N 400X200
00: No Accessory FL: with Filter PL: with Plenum Box						N: Neck Size F: Frame Size
22: Frame=22mm 32: Frame=32mm						00: No Mounting BF: Blind Frame SM: Screw Mounting CM: Clips Mounting PM: Plate-spring Mounting
000: Without Damper OFD: Opposite Flap Damper PFD: Parallel Flap Damper						00: No coating EX: Eloxal Coating OD----: Oven Drying Coating

