



Maintenance friendly air curtain



Comfort air curtains
Model DoorFlow

Free-hanging model

Imperial

Basic data

| | | |
|------------------|---|------------|
| max. door width | : | 40" |
| max. door height | : | 80 - 100" |
| room temperature | : | 68 °F |
| water range W2 | : | 194/158 °F |
| W4 | : | 140/104 °F |

| DF S-100-F | | Water | | Electric | Ambient |
|--|--------|-----------------|-----------------|----------|---------|
| | | W2 ¹ | W4 ¹ | | |
| weight | lb | 69 | 73 | 78 | 65 |
| electrical supply/phase | V/ph | 230/1 | 230/1 | 230/1 | 230/1 |
| max. heating capacity ² | kBTU/h | 27 | 22 | 16 | - |
| max. water flow rate ² | USGPH | 93 | 75 | - | - |
| max. water pressure loss ² (excluding valve) | psi | 0.03 | 0.04 | - | - |
| max. power, motors | HP | 0.35 | 0.35 | 0.35 | 0.35 |
| max. power cons. heating | kW | - | - | 5.0 | - |
| max. current, motors (1 ph) | A | 1.14 | 1.14 | 1.14 | 1.14 |
| max. current consumption | A | 1.14 | 1.14 | 22.9 | 1.14 |
| max. air displacement | cfm | 845 | 845 | 845 | 845 |
| max. air outlet temperature | °F | 109 | 100 | 107 | - |
| avg. noise level at 3 m ² | dB(A) | 42 | 42 | 42 | 42 |

Metric

Basic data

| | | |
|------------------|---|-------------|
| max. door width | : | 1.0 m |
| max. door height | : | 2.0 - 2.5 m |
| room temperature | : | 20 °C |
| water range W2 | : | 90/70 °C |
| W4 | : | 60/40 °C |

| DF S-100-F | | Water | | Electric | Ambient |
|--|-------------------|-----------------|-----------------|----------|---------|
| | | W2 ¹ | W4 ¹ | | |
| weight | kg | 32 | 33 | 36 | 30 |
| electrical supply/phase | V/ph | 230/1 | 230/1 | 230/1 | 230/1 |
| max. heating capacity ² | kW | 8 | 6.5 | 4.7 | - |
| max. water flow rate ² | l/h | 353 | 283 | - | - |
| max. water pressure loss ² (excluding valve) | kPa | 0.2 | 0.25 | - | - |
| max. power, motors | kW | 0.26 | 0.26 | 0.26 | 0.26 |
| max. power cons. heating | kW | - | - | 5.0 | - |
| max. current, motors (1 ph) | A | 1.14 | 1.14 | 1.14 | 1.14 |
| max. current consumption | A | 1.14 | 1.14 | 22.9 | 1.14 |
| max. air displacement | m ³ /h | 1435 | 1435 | 1435 | 1435 |
| max. air outlet temperature | °C | 43 | 38 | 42 | - |
| avg. noise level at 3 m ³ | dB(A) | 42 | 42 | 42 | 42 |

Biddle Air Systems Ltd.

11 King St. Unit #3
Barrie, ON L4N 6B5
Canada
T 705-797-0007
F 705-797-0013
E biddle@biddle.ca
I www.biddle.ca

For USA:

E biddle@biddle-air.com
I www.biddle-air.com

¹ The 2-row heating coil (W2) is suitable for the water ranges 80/60°C and 90/70°C (176/140°F and 194/158°F) and the 4-row heating coil (W4) for low water temperatures between 45/35°C and 70/50°C (113/95°F and 158/122°F).

² The calculations of the tables of the W2 are based on a water range of 90/70°C (1194/158°F) and those for the W4 on a water range of 60/40°C (140/104°F) (water heating).

³ with strength level 2 of 3.

Free-hanging model

Imperial

Basic data

| | | |
|------------------|---|------------|
| max. door width | : | 60" |
| max. door height | : | 80 - 100" |
| room temperature | : | 68 °F |
| water range W2 | : | 194/158 °F |
| W4 | : | 140/104 °F |

| DF S-150-F | | Water | | Electric | Ambient |
|--|--------|-----------------|-----------------|----------|---------|
| | | W2 ¹ | W4 ¹ | | |
| weight | lb | 102 | 108 | 118 | 100 |
| electrical supply/phase | V/ph | 230/1 | 230/1 | 230/1 | 230/1 |
| max. heating capacity ² | kBTU/h | 45 | 38 | 32 | - |
| max. water flow rate ² | USGPH | 155 | 126 | - | - |
| max. water pressure loss ² (excluding valve) | psi | 0.1 | 0.13 | - | - |
| max. power, motors | HP | 0.53 | 0.53 | 0.53 | 0.53 |
| max. power cons. heating | kW | - | - | 10.0 | - |
| max. current, motors (1 ph) | A | 1.71 | 1.71 | 1.71 | 1.71 |
| max. current consumption | A | 1.71 | 1.71 | 45.2 | 1.71 |
| max. air displacement | cfm | 1286 | 1286 | 1286 | 1286 |
| max. air outlet temperature | °F | 113 | 103 | 120 | - |
| avg. noise level at 3 m ² | dB(A) | 43 | 43 | 43 | 43 |

Metric

Basic data

| | | |
|------------------|---|-------------|
| max. door width | : | 1.5 m |
| max. door height | : | 2.0 - 2.5 m |
| room temperature | : | 20 °C |
| water range W2 | : | 90/70 °C |
| W4 | : | 60/40 °C |

| DF S-150-F | | Water | | Electric | Ambient |
|--|-------------------|-----------------|-----------------|----------|---------|
| | | W2 ¹ | W4 ¹ | | |
| weight | kg | 47 | 49 | 54 | 46 |
| electrical supply/phase | V/ph | 230/1 | 230/1 | 230/1 | 230/1 |
| max. heating capacity ² | kW | 13.3 | 11 | 9.5 | - |
| max. water flow rate ² | l/h | 587 | 477 | - | - |
| max. water pressure loss ² (excluding valve) | kPa | 0.69 | 0.91 | - | - |
| max. power, motors | kW | 0.39 | 0.39 | 0.39 | 0.39 |
| max. power cons. heating | kW | - | - | 10.0 | - |
| max. current, motors (1 ph) | A | 1.71 | 1.71 | 1.71 | 1.71 |
| max. current consumption | A | 1.71 | 1.71 | 45.2 | 1.71 |
| max. air displacement | m ³ /h | 2185 | 2185 | 2185 | 2185 |
| max. air outlet temperature | °C | 45 | 40 | 49 | - |
| avg. noise level at 3 m ³ | dB(A) | 43 | 43 | 43 | 43 |

Biddle Air Systems Ltd.

11 King St. Unit #3
Barrie, ON L4N 6B5
Canada
T 705-797-0007
F 705-797-0013
E biddle@biddle.ca
I www.biddle.ca

For USA:

E biddle@biddle-air.com
I www.biddle-air.com

¹ The 2-row heating coil (W2) is suitable for the water ranges 80/60°C and 90/70°C (176/140°F and 194/158°F) and the 4-row heating coil (W4) for low water temperatures between 45/35°C and 70/50°C (113/95°F and 158/122°F).

² The calculations of the tables of the W2 are based on a water range of 90/70°C (1194/158°F) and those for the W4 on a water range of 60/40°C (140/104°F) (water heating).

³ with strength level 2 of 3.

Free-hanging model

Imperial

Basic data

| | | |
|------------------|---|------------|
| max. door width | : | 80" |
| max. door height | : | 80 - 100" |
| room temperature | : | 68 °F |
| water range W2 | : | 194/158 °F |
| W4 | : | 140/104 °F |

| DF S-200-F | | Water | | Electric | Ambient |
|--|--------|-----------------|-----------------|----------|---------|
| | | W2 ¹ | W4 ¹ | | |
| weight | lb | 132 | 141 | 153 | 129 |
| electrical supply/phase | V/ph | 230/1 | 230/1 | 230/1 | 230/1 |
| max. heating capacity ² | kBTU/h | 63 | 53 | 32 | - |
| max. water flow rate ² | USGPH | 216 | 177 | - | - |
| max. water pressure loss ² (excluding valve) | psi | 0.23 | 0.31 | - | - |
| max. power, motors | HP | 0.7 | 0.7 | 0.7 | 0.7 |
| max. power cons. heating | kW | - | - | 10.0 | - |
| max. current, motors (1 ph) | A | 2.28 | 2.28 | 2.28 | 2.28 |
| max. current consumption | A | 2.28 | 2.28 | 45.8 | 2.28 |
| max. air displacement | cfm | 1718 | 1718 | 1718 | 1718 |
| max. air outlet temperature | °F | 114 | 105 | 107 | - |
| avg. noise level at 3 m ² | dB(A) | 45 | 45 | 45 | 45 |

Metric

Basic data

| | | |
|------------------|---|-------------|
| max. door width | : | 2.0 m |
| max. door height | : | 2.0 - 2.5 m |
| room temperature | : | 20 °C |
| water range W2 | : | 90/70 °C |
| W4 | : | 60/40 °C |

| DF S-200-F | | Water | | Electric | Ambient |
|--|-------------------|-----------------|-----------------|----------|---------|
| | | W2 ¹ | W4 ¹ | | |
| weight | kg | 60 | 64 | 70 | 59 |
| electrical supply/phase | V/ph | 230/1 | 230/1 | 230/1 | 230/1 |
| max. heating capacity ² | kW | 18.6 | 15.4 | 9.5 | - |
| max. water flow rate ² | l/h | 819 | 670 | - | - |
| max. water pressure loss ² (excluding valve) | kPa | 1.57 | 2.14 | - | - |
| max. power, motors | kW | 0.52 | 0.52 | 0.52 | 0.52 |
| max. power cons. heating | kW | - | - | 10.0 | - |
| max. current, motors (1 ph) | A | 2.28 | 2.28 | 2.28 | 2.28 |
| max. current consumption | A | 2.28 | 2.28 | 45.8 | 2.28 |
| max. air displacement | m ³ /h | 2919 | 2919 | 2919 | 2919 |
| max. air outlet temperature | °C | 46 | 40 | 41 | - |
| avg. noise level at 3 m ³ | dB(A) | 45 | 45 | 45 | 45 |

Biddle Air Systems Ltd.

11 King St. Unit #3
Barrie, ON L4N 6B5
Canada
T 705-797-0007
F 705-797-0013
E biddle@biddle.ca
I www.biddle.ca

For USA:

E biddle@biddle-air.com
I www.biddle-air.com

¹ The 2-row heating coil (W2) is suitable for the water ranges 80/60°C and 90/70°C (176/140°F and 194/158°F) and the 4-row heating coil (W4) for low water temperatures between 45/35°C and 70/50°C (113/95°F and 158/122°F).

² The calculations of the tables of the W2 are based on a water range of 90/70°C (1194/158°F) and those for the W4 on a water range of 60/40°C (140/104°F) (water heating).

³ with strength level 2 of 3.

Free-hanging model

Imperial

Basic data

| | |
|------------------|--------------|
| max. door width | : 100" |
| max. door height | : 80 - 100" |
| room temperature | : 68 °F |
| water range W2 | : 194/158 °F |
| W4 | : 140/104 °F |

| DF S-250-F | | Water | | Ambient |
|--|--------|-----------------|-----------------|---------|
| | | W2 ¹ | W4 ¹ | |
| weight | lb | 168 | 179 | 162 |
| electrical supply/phase | V/ph | 230/1 | 230/1 | 230/1 |
| max. heating capacity ² | kBTU/h | 82 | 69 | - |
| max. water flow rate ² | USGPH | 281 | 230 | - |
| max. water pressure loss ² (excluding valve) | psi | 0.44 | 0.61 | - |
| max. power, motors | HP | 0.88 | 0.88 | 0.88 |
| max. power cons. heating | kW | - | - | - |
| max. current, motors (1 ph) | A | 2.85 | 2.85 | 2.85 |
| max. current consumption | A | 2.85 | 2.85 | 2.85 |
| max. air displacement | cfm | 2188 | 2188 | 2188 |
| max. air outlet temperature | °F | 115 | 106 | - |
| avg. noise level at 3 m ² | dB(A) | 46 | 46 | 46 |

Metric

Basic data

| | |
|------------------|---------------|
| max. door width | : 2.5 m |
| max. door height | : 2.0 - 2.5 m |
| room temperature | : 20 °C |
| water range W2 | : 90/70 °C |
| W4 | : 60/40 °C |

| DF S-250-F | | Water | | Ambient |
|--|-------------------|-----------------|-----------------|---------|
| | | W2 ¹ | W4 ¹ | |
| weight | kg | 77 | 81 | 74 |
| electrical supply/phase | V/ph | 230/1 | 230/1 | 230/1 |
| max. heating capacity ² | kW | 24.1 | 20.1 | - |
| max. water flow rate ² | l/h | 1063 | 872 | - |
| max. water pressure loss ² (excluding valve) | kPa | 3 | 4.2 | - |
| max. power, motors | kW | 0.66 | 0.66 | 0.66 |
| max. power cons. heating | kW | - | - | - |
| max. current, motors (1 ph) | A | 2.85 | 2.85 | 2.85 |
| max. current consumption | A | 2.85 | 2.85 | 2.85 |
| max. air displacement | m ³ /h | 3718 | 3718 | 3718 |
| max. air outlet temperature | °C | 46 | 41 | - |
| avg. noise level at 3 m ³ | dB(A) | 46 | 46 | 46 |

Biddle Air Systems Ltd.

11 King St. Unit #3
Barrie, ON L4N 6B5
Canada
T 705-797-0007
F 705-797-0013
E biddle@biddle.ca
I www.biddle.ca

For USA:

E biddle@biddle-air.com
I www.biddle-air.com

¹ The 2-row heating coil (W2) is suitable for the water ranges 80/60°C and 90/70°C (176/140°F and 194/158°F) and the 4-row heating coil (W4) for low water temperatures between 45/35°C and 70/50°C (113/95°F and 158/122°F).

² The calculations of the tables of the W2 are based on a water range of 90/70°C (1194/158°F) and those for the W4 on a water range of 60/40°C (140/104°F) (water heating).

³ with strength level 2 of 3.

Free-hanging model

Imperial

Basic data

| | | |
|------------------|---|------------|
| max. door width | : | 40" |
| max. door height | : | 100 - 120" |
| room temperature | : | 68 °F |
| water range W2 | : | 194/158 °F |
| W4 | : | 140/104 °F |

| DF M-100-F | | Water | | Electric | Ambient |
|--|--------|-----------------|-----------------|----------|---------|
| | | W2 ¹ | W4 ¹ | | |
| weight | lb | 78 | 82 | 87 | 74 |
| electrical supply/phase | V/ph | 230/1 | 230/1 | 208/3 | 230/1 |
| max. heating capacity ² | kBTU/h | 29 | 24 | 27 | - |
| max. water flow rate ² | USGPH | 100 | 81 | - | - |
| max. water pressure loss ² (excluding valve) | psi | 0.03 | 0.04 | - | - |
| max. power, motors | HP | 0.53 | 0.53 | 0.53 | 0.53 |
| max. power cons. heating | kW | - | - | 8.2 | - |
| max. current, motors (1 ph) | A | 1.71 | 1.71 | 1.71 | 1.71 |
| max. current consumption | A | 1.71 | 1.71 | 24.4 | 1.71 |
| max. air displacement | cfm | 958 | 958 | 958 | 958 |
| max. air outlet temperature | °F | 105 | 97 | 118 | - |
| avg. noise level at 3 m ² | dB(A) | 47 | 47 | 46 | 47 |

Metric

Basic data

| | | |
|------------------|---|-------------|
| max. door width | : | 1.0 m |
| max. door height | : | 2.5 - 3.0 m |
| room temperature | : | 20 °C |
| water range W2 | : | 90/70 °C |
| W4 | : | 60/40 °C |

| DF M-100-F | | Water | | Electric | Ambient |
|--|-------------------|-----------------|-----------------|----------|---------|
| | | W2 ¹ | W4 ¹ | | |
| weight | kg | 36 | 37 | 40 | 34 |
| electrical supply/phase | V/ph | 230/1 | 230/1 | 208/3 | 230/1 |
| max. heating capacity ² | kW | 8.6 | 7 | 7.8 | - |
| max. water flow rate ² | l/h | 379 | 305 | - | - |
| max. water pressure loss ² (excluding valve) | kPa | 0.23 | 0.29 | - | - |
| max. power, motors | kW | 0.39 | 0.39 | 0.39 | 0.39 |
| max. power cons. heating | kW | - | - | 8.2 | - |
| max. current, motors (1 ph) | A | 1.71 | 1.71 | 1.71 | 1.71 |
| max. current consumption | A | 1.71 | 1.71 | 24.4 | 1.71 |
| max. air displacement | m ³ /h | 1627 | 1627 | 1595 | 1627 |
| max. air outlet temperature | °C | 40 | 36 | 48 | - |
| avg. noise level at 3 m ³ | dB(A) | 47 | 47 | 47 | 47 |

Biddle Air Systems Ltd.

11 King St. Unit #3
Barrie, ON L4N 6B5
Canada
T 705-797-0007
F 705-797-0013
E biddle@biddle.ca
I www.biddle.ca

For USA:

E biddle@biddle-air.com
I www.biddle-air.com

¹ The 2-row heating coil (W2) is suitable for the water ranges 80/60°C and 90/70°C (176/140°F and 194/158°F) and the 4-row heating coil (W4) for low water temperatures between 45/35°C and 70/50°C (113/95°F and 158/122°F).

² The calculations of the tables of the W2 are based on a water range of 90/70°C (1194/158°F) and those for the W4 on a water range of 60/40°C (140/104°F) (water heating).

³ with strength level 2 of 3.

Free-hanging model

Imperial

Basic data

| | | |
|------------------|---|------------|
| max. door width | : | 60" |
| max. door height | : | 100 - 120" |
| room temperature | : | 68 °F |
| water range W2 | : | 194/158 °F |
| W4 | : | 140/104 °F |

| DF M-150-F | | Water | | Electric | Ambient |
|--|--------|-----------------|-----------------|----------|---------|
| | | W2 ¹ | W4 ¹ | | |
| weight | lb | 112 | 118 | 127 | 109 |
| electrical supply/phase | V/ph | 230/1 | 230/1 | 208/3 | 230/1 |
| max. heating capacity ² | kBTU/h | 50 | 41 | 40 | - |
| max. water flow rate ² | USGPH | 170 | 139 | - | - |
| max. water pressure loss ² (excluding valve) | psi | 0.12 | 0.16 | - | - |
| max. power, motors | HP | 0.7 | 0.7 | 0.7 | 0.7 |
| max. power cons. heating | kW | - | - | 12.3 | - |
| max. current, motors (1 ph) | A | 2.28 | 2.28 | 2.28 | 2.28 |
| max. current consumption | A | 2.28 | 2.28 | 36.3 | 2.28 |
| max. air displacement | cfm | 1503 | 1503 | 1426 | 1503 |
| max. air outlet temperature | °F | 109 | 101 | 124 | - |
| avg. noise level at 3 m ² | dB(A) | 47 | 47 | 45 | 47 |

Metric

Basic data

| | | |
|------------------|---|-------------|
| max. door width | : | 1.5 m |
| max. door height | : | 2.5 - 3.0 m |
| room temperature | : | 20 °C |
| water range W2 | : | 90/70 °C |
| W4 | : | 60/40 °C |

| DF M-150-F | | Water | | Electric | Ambient |
|--|-------------------|-----------------|-----------------|----------|---------|
| | | W2 ¹ | W4 ¹ | | |
| weight | kg | 51 | 54 | 58 | 50 |
| electrical supply/phase | V/ph | 230/1 | 230/1 | 208/3 | 230/1 |
| max. heating capacity ² | kW | 14.6 | 12.1 | 11.7 | - |
| max. water flow rate ² | l/h | 642 | 525 | - | - |
| max. water pressure loss ² (excluding valve) | kPa | 0.81 | 1.08 | - | - |
| max. power, motors | kW | 0.52 | 0.52 | 0.52 | 0.52 |
| max. power cons. heating | kW | - | - | 12.3 | - |
| max. current, motors (1 ph) | A | 2.28 | 2.28 | 2.28 | 2.28 |
| max. current consumption | A | 2.28 | 2.28 | 36.3 | 2.28 |
| max. air displacement | m ³ /h | 2554 | 2554 | 2422 | 2554 |
| max. air outlet temperature | °C | 43 | 38 | 51 | - |
| avg. noise level at 3 m ³ | dB(A) | 47 | 47 | 45 | 47 |

Biddle Air Systems Ltd.

11 King St. Unit #3
Barrie, ON L4N 6B5
Canada
T 705-797-0007
F 705-797-0013
E biddle@biddle.ca
I www.biddle.ca

For USA:

E biddle@biddle-air.com
I www.biddle-air.com

¹ The 2-row heating coil (W2) is suitable for the water ranges 80/60°C and 90/70°C (176/140°F and 194/158°F) and the 4-row heating coil (W4) for low water temperatures between 45/35°C and 70/50°C (113/95°F and 158/122°F).

² The calculations of the tables of the W2 are based on a water range of 90/70°C (1194/158°F) and those for the W4 on a water range of 60/40°C (140/104°F) (water heating).

³ with strength level 2 of 3.

Free-hanging model

Imperial

Basic data

| | |
|------------------|--------------|
| max. door width | : 80" |
| max. door height | : 100 - 120" |
| room temperature | : 68 °F |
| water range W2 | : 194/158 °F |
| W4 | : 140/104 °F |

| DF M-200-F | | Water | | Electric | Ambient |
|--|--------|-----------------|-----------------|----------|---------|
| | | W2 ¹ | W4 ¹ | | |
| weight | lb | 150 | 159 | 171 | 147 |
| electrical supply/phase | V/ph | 230/1 | 230/1 | 208/3 | 230/1 |
| max. heating capacity ² | kBTU/h | 68 | 56 | 53 | - |
| max. water flow rate ² | USGPH | 230 | 189 | - | - |
| max. water pressure loss ² (excluding valve) | psi | 0.26 | 0.35 | - | - |
| max. power, motors | HP | 1.05 | 1.05 | 1.05 | 1.05 |
| max. power cons. heating | kW | - | - | 16.4 | - |
| max. current, motors (1 ph) | A | 3.42 | 3.42 | 3.42 | 3.42 |
| max. current consumption | A | 3.42 | 3.42 | 48.8 | 3.42 |
| max. air displacement | cfm | 1915 | 1915 | 1878 | 1915 |
| max. air outlet temperature | °F | 110 | 102 | 118 | - |
| avg. noise level at 3 m ² | dB(A) | 50 | 50 | 49 | 50 |

Metric

Basic data

| | |
|------------------|---------------|
| max. door width | : 2.0 m |
| max. door height | : 2.5 - 3.0 m |
| room temperature | : 20 °C |
| water range W2 | : 90/70 °C |
| W4 | : 60/40 °C |

| DF M-200-F | | Water | | Electric | Ambient |
|--|-------------------|-----------------|-----------------|----------|---------|
| | | W2 ¹ | W4 ¹ | | |
| weight | kg | 68 | 72 | 78 | 67 |
| electrical supply/phase | V/ph | 230/1 | 230/1 | 208/3 | 230/1 |
| max. heating capacity ² | kW | 19.8 | 16.5 | 15.5 | - |
| max. water flow rate ² | l/h | 872 | 717 | - | - |
| max. water pressure loss ² (excluding valve) | kPa | 1.76 | 2.42 | - | - |
| max. power, motors | kW | 0.79 | 0.79 | 0.79 | 0.79 |
| max. power cons. heating | kW | - | - | 16.4 | - |
| max. current, motors (1 ph) | A | 3.42 | 3.42 | 3.42 | 3.42 |
| max. current consumption | A | 3.42 | 3.42 | 48.8 | 3.42 |
| max. air displacement | m ³ /h | 3254 | 3254 | 3190 | 3254 |
| max. air outlet temperature | °C | 43 | 39 | 48 | - |
| avg. noise level at 3 m ³ | dB(A) | 50 | 50 | 49 | 50 |

Biddle Air Systems Ltd.

11 King St. Unit #3
Barrie, ON L4N 6B5
Canada
T 705-797-0007
F 705-797-0013
E biddle@biddle.ca
I www.biddle.ca

For USA:

E biddle@biddle-air.com
I www.biddle-air.com

¹ The 2-row heating coil (W2) is suitable for the water ranges 80/60°C and 90/70°C (176/140°F and 194/158°F) and the 4-row heating coil (W4) for low water temperatures between 45/35°C and 70/50°C (113/95°F and 158/122°F).

² The calculations of the tables of the W2 are based on a water range of 90/70°C (1194/158°F) and those for the W4 on a water range of 60/40°C (140/104°F) (water heating).

³ with strength level 2 of 3.

Free-hanging model

Imperial

Basic data

| | |
|------------------|--------------|
| max. door width | : 100" |
| max. door height | : 100 - 120" |
| room temperature | : 68 °F |
| water range W2 | : 194/158 °F |
| W4 | : 140/104 °F |

| DF M-250-F | | Water | | Electric | Ambient |
|--|--------|-----------------|-----------------|----------|---------|
| | | W2 ¹ | W4 ¹ | | |
| weight | lb | 186 | 197 | 213 | 180 |
| electrical supply/phase | V/ph | 230/1 | 230/1 | 208/3 | 230/1 |
| max. heating capacity ² | kBTU/h | 91 | 77 | 53 | - |
| max. water flow rate ² | USGPH | 312 | 259 | - | - |
| max. water pressure loss ² (excluding valve) | psi | 0.53 | 0.75 | - | - |
| max. power, motors | HP | 1.23 | 1.23 | 1.23 | 1.23 |
| max. power cons. heating | kW | - | - | 16.4 | - |
| max. current, motors (1 ph) | A | 3.99 | 3.99 | 3.99 | 3.99 |
| max. current consumption | A | 3.99 | 3.99 | 49.4 | 3.99 |
| max. air displacement | cfm | 2631 | 2631 | 2495 | 2631 |
| max. air outlet temperature | °F | 111 | 103 | 111 | - |
| avg. noise level at 3 m ² | dB(A) | 51 | 51 | 49 | 51 |

Metric

Basic data

| | |
|------------------|---------------|
| max. door width | : 2.5 m |
| max. door height | : 2.5 - 3.0 m |
| room temperature | : 20 °C |
| water range W2 | : 90/70 °C |
| W4 | : 60/40 °C |

| DF M-250-F | | Water | | Electric | Ambient |
|--|-------------------|-----------------|-----------------|----------|---------|
| | | W2 ¹ | W4 ¹ | | |
| weight | kg | 85 | 90 | 97 | 82 |
| electrical supply/phase | V/ph | 230/1 | 230/1 | 208/3 | 230/1 |
| max. heating capacity ² | kW | 26.8 | 22.6 | 15.5 | - |
| max. water flow rate ² | l/h | 1181 | 979 | - | - |
| max. water pressure loss ² (excluding valve) | kPa | 3.65 | 5.18 | - | - |
| max. power, motors | kW | 0.92 | 0.92 | 0.92 | 0.92 |
| max. power cons. heating | kW | - | - | 16.4 | - |
| max. current, motors (1 ph) | A | 3.99 | 3.99 | 3.99 | 3.99 |
| max. current consumption | A | 3.99 | 3.99 | 49.4 | 3.99 |
| max. air displacement | m ³ /h | 4470 | 4470 | 4239 | 4470 |
| max. air outlet temperature | °C | 44 | 39 | 44 | - |
| avg. noise level at 3 m ³ | dB(A) | 51 | 51 | 49 | 51 |

Biddle Air Systems Ltd.

11 King St. Unit #3
Barrie, ON L4N 6B5
Canada
T 705-797-0007
F 705-797-0013
E biddle@biddle.ca
I www.biddle.ca

For USA:

E biddle@biddle-air.com
I www.biddle-air.com

¹ The 2-row heating coil (W2) is suitable for the water ranges 80/60°C and 90/70°C (176/140°F and 194/158°F) and the 4-row heating coil (W4) for low water temperatures between 45/35°C and 70/50°C (113/95°F and 158/122°F).

² The calculations of the tables of the W2 are based on a water range of 90/70°C (1194/158°F) and those for the W4 on a water range of 60/40°C (140/104°F) (water heating).

³ with strength level 2 of 3.

Cassette model

Imperial

Basic data

| | | |
|------------------|---|------------|
| max. door width | : | 40" |
| max. door height | : | 80 - 100" |
| room temperature | : | 68 °F |
| water range W2 | : | 194/158 °F |
| W4 | : | 140/104 °F |

| DF S-100-C | | Water | | Electric | Ambient |
|--|--------|-----------------------|-----------------------|-----------------|----------------|
| | | W2¹ | W4¹ | | |
| weight | lb | 76 | 80 | 82 | 69 |
| electrical supply/phase | V/ph | 230/1 | 230/1 | 230/1 | 230/1 |
| max. heating capacity ² | kBTU/h | 27 | 22 | 16 | - |
| max. water flow rate ² | USGPH | 93 | 75 | - | - |
| max. water pressure loss ² (excluding valve) | psi | 0.03 | 0.04 | - | - |
| max. power, motors | HP | 0.35 | 0.35 | 0.35 | 0.35 |
| max. power cons. heating | kW | - | - | 5.0 | - |
| max. current, motors (1 ph) | A | 1.14 | 1.14 | 1.14 | 1.14 |
| max. current consumption | A | 1.14 | 1.14 | 22.9 | 1.14 |
| max. air displacement | cfm | 845 | 845 | 845 | 845 |
| max. air outlet temperature | °F | 109 | 100 | 107 | - |
| avg. noise level at 3 m ² | dB(A) | 42 | 42 | 42 | 42 |

Metric

Basic data

| | | |
|------------------|---|-------------|
| max. door width | : | 1.0 m |
| max. door height | : | 2.0 - 2.5 m |
| room temperature | : | 20 °C |
| water range W2 | : | 90/70 °C |
| W4 | : | 60/40 °C |

| DF S-100-C | | Water | | Electric | Ambient |
|--|-------------------|-----------------------|-----------------------|-----------------|----------------|
| | | W2¹ | W4¹ | | |
| weight | kg | 35 | 36 | 37 | 31 |
| electrical supply/phase | V/ph | 230/1 | 230/1 | 230/1 | 230/1 |
| max. heating capacity ² | kW | 8 | 6.5 | 4.7 | - |
| max. water flow rate ² | l/h | 353 | 283 | - | - |
| max. water pressure loss ² (excluding valve) | kPa | 0.2 | 0.25 | - | - |
| max. power, motors | kW | 0.26 | 0.26 | 0.26 | 0.26 |
| max. power cons. heating | kW | - | - | 5.0 | - |
| max. current, motors (1 ph) | A | 1.14 | 1.14 | 1.14 | 1.14 |
| max. current consumption | A | 1.14 | 1.14 | 22.9 | 1.14 |
| max. air displacement | m ³ /h | 1435 | 1435 | 1435 | 1435 |
| max. air outlet temperature | °C | 43 | 38 | 42 | - |
| avg. noise level at 3 m ³ | dB(A) | 42 | 42 | 42 | 42 |

Biddle Air Systems Ltd.

11 King St. Unit #3
Barrie, ON L4N 6B5
Canada
T 705-797-0007
F 705-797-0013
E biddle@biddle.ca
I www.biddle.ca

For USA:

E biddle@biddle-air.com
I www.biddle-air.com

¹ The 2-row heating coil (W2) is suitable for the water ranges 80/60°C and 90/70°C (176/140°F and 194/158°F) and the 4-row heating coil (W4) for low water temperatures between 45/35°C and 70/50°C (113/95°F and 158/122°F).

² The calculations of the tables of the W2 are based on a water range of 90/70°C (1194/158°F) and those for the W4 on a water range of 60/40°C (140/104°F) (water heating).

³ with strength level 2 of 3.

Cassette model

Imperial

Basic data

| | | |
|------------------|---|------------|
| max. door width | : | 40" |
| max. door height | : | 80 - 100" |
| room temperature | : | 68 °F |
| water range W2 | : | 194/158 °F |
| W4 | : | 140/104 °F |

| DF S-100-C | | Water | | Electric | Ambient |
|--|--------|-----------------|-----------------|----------|---------|
| | | W2 ¹ | W4 ¹ | | |
| weight | lb | 76 | 80 | 82 | 69 |
| electrical supply/phase | V/ph | 230/1 | 230/1 | 230/1 | 230/1 |
| max. heating capacity ² | kBTU/h | 27 | 22 | 16 | - |
| max. water flow rate ² | USGPH | 93 | 75 | - | - |
| max. water pressure loss ² (excluding valve) | psi | 0.03 | 0.04 | - | - |
| max. power, motors | HP | 0.35 | 0.35 | 0.35 | 0.35 |
| max. power cons. heating | kW | - | - | 5.0 | - |
| max. current, motors (1 ph) | A | 1.14 | 1.14 | 1.14 | 1.14 |
| max. current consumption | A | 1.14 | 1.14 | 22.9 | 1.14 |
| max. air displacement | cfm | 845 | 845 | 845 | 845 |
| max. air outlet temperature | °F | 109 | 100 | 107 | - |
| avg. noise level at 3 m ² | dB(A) | 42 | 42 | 42 | 42 |

Metric

Basic data

| | | |
|------------------|---|-------------|
| max. door width | : | 1.0 m |
| max. door height | : | 2.0 - 2.5 m |
| room temperature | : | 20 °C |
| water range W2 | : | 90/70 °C |
| W4 | : | 60/40 °C |

| DF S-100-C | | Water | | Electric | Ambient |
|--|-------------------|-----------------|-----------------|----------|---------|
| | | W2 ¹ | W4 ¹ | | |
| weight | kg | 35 | 36 | 37 | 31 |
| electrical supply/phase | V/ph | 230/1 | 230/1 | 230/1 | 230/1 |
| max. heating capacity ² | kW | 8 | 6.5 | 4.7 | - |
| max. water flow rate ² | l/h | 353 | 283 | - | - |
| max. water pressure loss ² (excluding valve) | kPa | 0.2 | 0.25 | - | - |
| max. power, motors | kW | 0.26 | 0.26 | 0.26 | 0.26 |
| max. power cons. heating | kW | - | - | 5.0 | - |
| max. current, motors (1 ph) | A | 1.14 | 1.14 | 1.14 | 1.14 |
| max. current consumption | A | 1.14 | 1.14 | 22.9 | 1.14 |
| max. air displacement | m ³ /h | 1435 | 1435 | 1435 | 1435 |
| max. air outlet temperature | °C | 43 | 38 | 42 | - |
| avg. noise level at 3 m ³ | dB(A) | 42 | 42 | 42 | 42 |

Biddle Air Systems Ltd.

11 King St. Unit #3
Barrie, ON L4N 6B5
Canada
T 705-797-0007
F 705-797-0013
E biddle@biddle.ca
I www.biddle.ca

For USA:

E biddle@biddle-air.com
I www.biddle-air.com

¹ The 2-row heating coil (W2) is suitable for the water ranges 80/60°C and 90/70°C (176/140°F and 194/158°F) and the 4-row heating coil (W4) for low water temperatures between 45/35°C and 70/50°C (113/95°F and 158/122°F).

² The calculations of the tables of the W2 are based on a water range of 90/70°C (1194/158°F) and those for the W4 on a water range of 60/40°C (140/104°F) (water heating).

³ with strength level 2 of 3.

Cassette model

Imperial

Basic data

| | |
|------------------|--------------|
| max. door width | : 60" |
| max. door height | : 80 - 100" |
| room temperature | : 68 °F |
| water range W2 | : 194/158 °F |
| W4 | : 140/104 °F |

| DF S-150-C | | Water | | Electric | Ambient |
|--|--------|-----------------|-----------------|----------|---------|
| | | W2 ¹ | W4 ¹ | | |
| weight | lb | 113 | 119 | 124 | 106 |
| electrical supply/phase | V/ph | 230/1 | 230/1 | 230/1 | 230/1 |
| max. heating capacity ² | kBTU/h | 45 | 38 | 32 | - |
| max. water flow rate ² | USGPH | 155 | 126 | - | - |
| max. water pressure loss ² (excluding valve) | psi | 0.1 | 0.13 | - | - |
| max. power, motors | HP | 0.53 | 0.53 | 0.53 | 0.53 |
| max. power cons. heating | kW | - | - | 10.0 | - |
| max. current, motors (1 ph) | A | 1.71 | 1.71 | 1.71 | 1.71 |
| max. current consumption | A | 1.71 | 1.71 | 45.2 | 1.71 |
| max. air displacement | cfm | 1286 | 1286 | 1286 | 1286 |
| max. air outlet temperature | °F | 113 | 103 | 120 | - |
| avg. noise level at 3 m ² | dB(A) | 43 | 43 | 43 | 43 |

Metric

Basic data

| | |
|------------------|---------------|
| max. door width | : 1.5 m |
| max. door height | : 2.0 - 2.5 m |
| room temperature | : 20 °C |
| water range W2 | : 90/70 °C |
| W4 | : 60/40 °C |

| DF S-150-C | | Water | | Electric | Ambient |
|--|-------------------|-----------------|-----------------|----------|---------|
| | | W2 ¹ | W4 ¹ | | |
| weight | kg | 52 | 54 | 56 | 48 |
| electrical supply/phase | V/ph | 230/1 | 230/1 | 230/1 | 230/1 |
| max. heating capacity ² | kW | 13.3 | 11 | 9.5 | - |
| max. water flow rate ² | l/h | 587 | 477 | - | - |
| max. water pressure loss ² (excluding valve) | kPa | 0.69 | 0.91 | - | - |
| max. power, motors | kW | 0.39 | 0.39 | 0.39 | 0.39 |
| max. power cons. heating | kW | - | - | 10.0 | - |
| max. current, motors (1 ph) | A | 1.71 | 1.71 | 1.71 | 1.71 |
| max. current consumption | A | 1.71 | 1.71 | 45.2 | 1.71 |
| max. air displacement | m ³ /h | 2185 | 2185 | 2185 | 2185 |
| max. air outlet temperature | °C | 45 | 40 | 49 | - |
| avg. noise level at 3 m ³ | dB(A) | 43 | 43 | 43 | 43 |

Biddle Air Systems Ltd.

11 King St. Unit #3
Barrie, ON L4N 6B5
Canada
T 705-797-0007
F 705-797-0013
E biddle@biddle.ca
I www.biddle.ca

For USA:

E biddle@biddle-air.com
I www.biddle-air.com

¹ The 2-row heating coil (W2) is suitable for the water ranges 80/60°C and 90/70°C (176/140°F and 194/158°F) and the 4-row heating coil (W4) for low water temperatures between 45/35°C and 70/50°C (113/95°F and 158/122°F).

² The calculations of the tables of the W2 are based on a water range of 90/70°C (1194/158°F) and those for the W4 on a water range of 60/40°C (140/104°F) (water heating).

³ with strength level 2 of 3.

Cassette model

Imperial

Basic data

| | |
|------------------|--------------|
| max. door width | : 80" |
| max. door height | : 80 - 100" |
| room temperature | : 68 °F |
| water range W2 | : 194/158 °F |
| W4 | : 140/104 °F |

| DF S-200-C | | Water | | Electric | Ambient |
|--|--------|-----------------|-----------------|----------|---------|
| | | W2 ¹ | W4 ¹ | | |
| weight | lb | 145 | 154 | 161 | 136 |
| electrical supply/phase | V/ph | 230/1 | 230/1 | 230/1 | 230/1 |
| max. heating capacity ² | kBTU/h | 63 | 53 | 32 | - |
| max. water flow rate ² | USGPH | 216 | 177 | - | - |
| max. water pressure loss ² (excluding valve) | psi | 0.23 | 0.31 | - | - |
| max. power, motors | HP | 0.7 | 0.7 | 0.7 | 0.7 |
| max. power cons. heating | kW | - | - | 10.0 | - |
| max. current, motors (1 ph) | A | 2.28 | 2.28 | 2.28 | 2.28 |
| max. current consumption | A | 2.28 | 2.28 | 45.8 | 2.28 |
| max. air displacement | cfm | 1718 | 1718 | 1718 | 1718 |
| max. air outlet temperature | °F | 114 | 105 | 107 | - |
| avg. noise level at 3 m ² | dB(A) | 45 | 45 | 45 | 45 |

Metric

Basic data

| | |
|------------------|---------------|
| max. door width | : 2.0 m |
| max. door height | : 2.0 - 2.5 m |
| room temperature | : 20 °C |
| water range W2 | : 90/70 °C |
| W4 | : 60/40 °C |

| DF S-200-C | | Water | | Electric | Ambient |
|--|-------------------|-----------------|-----------------|----------|---------|
| | | W2 ¹ | W4 ¹ | | |
| weight | kg | 66 | 70 | 73 | 62 |
| electrical supply/phase | V/ph | 230/1 | 230/1 | 230/1 | 230/1 |
| max. heating capacity ² | kW | 18.6 | 15.4 | 9.5 | - |
| max. water flow rate ² | l/h | 819 | 670 | - | - |
| max. water pressure loss ² (excluding valve) | kPa | 1.57 | 2.14 | - | - |
| max. power, motors | kW | 0.52 | 0.52 | 0.52 | 0.52 |
| max. power cons. heating | kW | - | - | 10.0 | - |
| max. current, motors (1 ph) | A | 2.28 | 2.28 | 2.28 | 2.28 |
| max. current consumption | A | 2.28 | 2.28 | 45.8 | 2.28 |
| max. air displacement | m ³ /h | 2919 | 2919 | 2919 | 2919 |
| max. air outlet temperature | °C | 46 | 40 | 41 | - |
| avg. noise level at 3 m ³ | dB(A) | 45 | 45 | 45 | 45 |

Biddle Air Systems Ltd.

11 King St. Unit #3
Barrie, ON L4N 6B5
Canada
T 705-797-0007
F 705-797-0013
E biddle@biddle.ca
I www.biddle.ca

For USA:

E biddle@biddle-air.com
I www.biddle-air.com

¹ The 2-row heating coil (W2) is suitable for the water ranges 80/60°C and 90/70°C (176/140°F and 194/158°F) and the 4-row heating coil (W4) for low water temperatures between 45/35°C and 70/50°C (113/95°F and 158/122°F).

² The calculations of the tables of the W2 are based on a water range of 90/70°C (1194/158°F) and those for the W4 on a water range of 60/40°C (140/104°F) (water heating).

³ with strength level 2 of 3.

Cassette model

Imperial

Basic data

| | |
|------------------|--------------|
| max. door width | : 100" |
| max. door height | : 80 - 100" |
| room temperature | : 68 °F |
| water range W2 | : 194/158 °F |
| W4 | : 140/104 °F |

| DF S-250-C | | Water | | Ambient |
|--|--------|-----------------|-----------------|---------|
| | | W2 ¹ | W4 ¹ | |
| weight | lb | 185 | 196 | 171 |
| electrical supply/phase | V/ph | 230/1 | 230/1 | 230/1 |
| max. heating capacity ² | kBTU/h | 82 | 69 | - |
| max. water flow rate ² | USGPH | 281 | 230 | - |
| max. water pressure loss ² (excluding valve) | psi | 0.44 | 0.61 | - |
| max. power, motors | HP | 0.88 | 0.88 | 0.88 |
| max. power cons. heating | kW | - | - | - |
| max. current, motors (1 ph) | A | 2.85 | 2.85 | 2.85 |
| max. current consumption | A | 2.85 | 2.85 | 2.85 |
| max. air displacement | cfm | 2188 | 2188 | 2188 |
| max. air outlet temperature | °F | 115 | 106 | - |
| avg. noise level at 3 m ² | dB(A) | 46 | 46 | 46 |

Metric

Basic data

| | |
|------------------|---------------|
| max. door width | : 2.5 m |
| max. door height | : 2.0 - 2.5 m |
| room temperature | : 20 °C |
| water range W2 | : 90/70 °C |
| W4 | : 60/40 °C |

| DF S-250-C | | Water | | Ambient |
|--|-------------------|-----------------|-----------------|---------|
| | | W2 ¹ | W4 ¹ | |
| weight | kg | 84 | 89 | 78 |
| electrical supply/phase | V/ph | 230/1 | 230/1 | 230/1 |
| max. heating capacity ² | kW | 24.1 | 20.1 | - |
| max. water flow rate ² | l/h | 1063 | 872 | - |
| max. water pressure loss ² (excluding valve) | kPa | 3 | 4.2 | - |
| max. power, motors | kW | 0.66 | 0.66 | 0.66 |
| max. power cons. heating | kW | - | - | - |
| max. current, motors (1 ph) | A | 2.85 | 2.85 | 2.85 |
| max. current consumption | A | 2.85 | 2.85 | 2.85 |
| max. air displacement | m ³ /h | 3718 | 3718 | 3718 |
| max. air outlet temperature | °C | 46 | 41 | - |
| avg. noise level at 3 m ³ | dB(A) | 46 | 46 | 46 |

Biddle Air Systems Ltd.

11 King St. Unit #3
Barrie, ON L4N 6B5
Canada
T 705-797-0007
F 705-797-0013
E biddle@biddle.ca
I www.biddle.ca

For USA:

E biddle@biddle-air.com
I www.biddle-air.com

¹ The 2-row heating coil (W2) is suitable for the water ranges 80/60°C and 90/70°C (176/140°F and 194/158°F) and the 4-row heating coil (W4) for low water temperatures between 45/35°C and 70/50°C (113/95°F and 158/122°F).

² The calculations of the tables of the W2 are based on a water range of 90/70°C (1194/158°F) and those for the W4 on a water range of 60/40°C (140/104°F) (water heating).

³ with strength level 2 of 3.

Cassette model

Imperial

Basic data

| | | |
|------------------|---|------------|
| max. door width | : | 40" |
| max. door height | : | 100 - 120" |
| room temperature | : | 68 °F |
| water range W2 | : | 194/158 °F |
| W4 | : | 140/104 °F |

| DF M-100-C | | Water | | Electric | Ambient |
|--|--------|-----------------|-----------------|----------|---------|
| | | W2 ¹ | W4 ¹ | | |
| weight | lb | 85 | 89 | 91 | 78 |
| electrical supply/phase | V/ph | 230/1 | 230/1 | 208/3 | 230/1 |
| max. heating capacity ² | kBTU/h | 29 | 24 | 27 | - |
| max. water flow rate ² | USGPH | 100 | 81 | - | - |
| max. water pressure loss ² (excluding valve) | psi | 0.03 | 0.04 | - | - |
| max. power, motors | HP | 0.53 | 0.53 | 0.53 | 0.53 |
| max. power cons. heating | kW | - | - | 8.2 | - |
| max. current, motors (1 ph) | A | 1.71 | 1.71 | 1.71 | 1.71 |
| max. current consumption | A | 1.71 | 1.71 | 24.4 | 1.71 |
| max. air displacement | cfm | 958 | 958 | 939 | 958 |
| max. air outlet temperature | °F | 105 | 97 | 118 | - |
| avg. noise level at 3 m ² | dB(A) | 47 | 47 | 46 | 47 |

Metric

Basic data

| | | |
|------------------|---|-------------|
| max. door width | : | 1.0 m |
| max. door height | : | 2.5 - 3.0 m |
| room temperature | : | 20 °C |
| water range W2 | : | 90/70 °C |
| W4 | : | 60/40 °C |

| DF M-100-C | | Water | | Electric | Ambient |
|--|-------------------|-----------------|-----------------|----------|---------|
| | | W2 ¹ | W4 ¹ | | |
| weight | kg | 39 | 41 | 42 | 36 |
| electrical supply/phase | V/ph | 230/1 | 230/1 | 208/3 | 230/1 |
| max. heating capacity ² | kW | 8.6 | 7 | 7.8 | - |
| max. water flow rate ² | l/h | 379 | 305 | - | - |
| max. water pressure loss ² (excluding valve) | kPa | 0.23 | 0.29 | - | - |
| max. power, motors | kW | 0.39 | 0.39 | 0.39 | 0.39 |
| max. power cons. heating | kW | - | - | 8.2 | - |
| max. current, motors (1 ph) | A | 1.71 | 1.71 | 1.71 | 1.71 |
| max. current consumption | A | 1.71 | 1.71 | 24.4 | 1.71 |
| max. air displacement | m ³ /h | 1627 | 1627 | 1595 | 1627 |
| max. air outlet temperature | °C | 40 | 36 | 48 | - |
| avg. noise level at 3 m ³ | dB(A) | 47 | 47 | 46 | 47 |

Biddle Air Systems Ltd.

11 King St. Unit #3
Barrie, ON L4N 6B5
Canada
T 705-797-0007
F 705-797-0013
E biddle@biddle.ca
I www.biddle.ca

For USA:

E biddle@biddle-air.com
I www.biddle-air.com

¹ The 2-row heating coil (W2) is suitable for the water ranges 80/60°C and 90/70°C (176/140°F and 194/158°F) and the 4-row heating coil (W4) for low water temperatures between 45/35°C and 70/50°C (113/95°F and 158/122°F).

² The calculations of the tables of the W2 are based on a water range of 90/70°C (1194/158°F) and those for the W4 on a water range of 60/40°C (140/104°F) (water heating).

³ with strength level 2 of 3.

Cassette model

Imperial

Basic data

| | |
|------------------|--------------|
| max. door width | : 60" |
| max. door height | : 100 - 120" |
| room temperature | : 68 °F |
| water range W2 | : 194/158 °F |
| W4 | : 140/104 °F |

| DF M-150-C | | Water | | Electric | Ambient |
|--|--------|-----------------|-----------------|----------|---------|
| | | W2 ¹ | W4 ¹ | | |
| weight | lb | 122 | 128 | 133 | 115 |
| electrical supply/phase | V/ph | 230/1 | 230/1 | 208/3 | 230/1 |
| max. heating capacity ² | kBTU/h | 50 | 41 | 40 | - |
| max. water flow rate ² | USGPH | 170 | 139 | - | - |
| max. water pressure loss ² (excluding valve) | psi | 0.12 | 0.16 | - | - |
| max. power, motors | HP | 0.7 | 0.7 | 0.7 | 0.7 |
| max. power cons. heating | kW | - | - | 12.3 | - |
| max. current, motors (1 ph) | A | 2.28 | 2.28 | 2.28 | 2.28 |
| max. current consumption | A | 2.28 | 2.28 | 36.3 | 2.28 |
| max. air displacement | cfm | 1503 | 1503 | 1426 | 1503 |
| max. air outlet temperature | °F | 109 | 101 | 124 | - |
| avg. noise level at 3 m ² | dB(A) | 47 | 47 | 45 | 47 |

Metric

Basic data

| | |
|------------------|---------------|
| max. door width | : 1.5 m |
| max. door height | : 2.5 - 3.0 m |
| room temperature | : 20 °C |
| water range W2 | : 90/70 °C |
| W4 | : 60/40 °C |

| DF M-150-C | | Water | | Electric | Ambient |
|--|-------------------|-----------------|-----------------|----------|---------|
| | | W2 ¹ | W4 ¹ | | |
| weight | kg | 56 | 58 | 60 | 52 |
| electrical supply/phase | V/ph | 230/1 | 230/1 | 208/3 | 230/1 |
| max. heating capacity ² | kW | 14.6 | 12.1 | 11.7 | - |
| max. water flow rate ² | l/h | 642 | 525 | - | - |
| max. water pressure loss ² (excluding valve) | kPa | 0.81 | 1.08 | - | - |
| max. power, motors | kW | 0.52 | 0.52 | 0.52 | 0.52 |
| max. power cons. heating | kW | - | - | 12.3 | - |
| max. current, motors (1 ph) | A | 2.28 | 2.28 | 2.28 | 2.28 |
| max. current consumption | A | 2.28 | 2.28 | 36.3 | 2.28 |
| max. air displacement | m ³ /h | 2554 | 2554 | 2422 | 2554 |
| max. air outlet temperature | °C | 43 | 38 | 51 | - |
| avg. noise level at 3 m ³ | dB(A) | 47 | 47 | 45 | 47 |

Biddle Air Systems Ltd.

11 King St. Unit #3
Barrie, ON L4N 6B5
Canada
T 705-797-0007
F 705-797-0013
E biddle@biddle.ca
I www.biddle.ca

For USA:

E biddle@biddle-air.com
I www.biddle-air.com

¹ The 2-row heating coil (W2) is suitable for the water ranges 80/60°C and 90/70°C (176/140°F and 194/158°F) and the 4-row heating coil (W4) for low water temperatures between 45/35°C and 70/50°C (113/95°F and 158/122°F).

² The calculations of the tables of the W2 are based on a water range of 90/70°C (1194/158°F) and those for the W4 on a water range of 60/40°C (140/104°F) (water heating).

³ with strength level 2 of 3.

Cassette model

Imperial

Basic data

| | | |
|------------------|---|------------|
| max. door width | : | 80" |
| max. door height | : | 100 - 120" |
| room temperature | : | 68 °F |
| water range W2 | : | 194/158 °F |
| W4 | : | 140/104 °F |

| DF M-200-C | | Water | | Electric | Ambient |
|--|--------|-----------------|-----------------|----------|---------|
| | | W2 ¹ | W4 ¹ | | |
| weight | lb | 164 | 172 | 179 | 154 |
| electrical supply/phase | V/ph | 230/1 | 230/1 | 208/3 | 230/1 |
| max. heating capacity ² | kBTU/h | 68 | 56 | 53 | - |
| max. water flow rate ² | USGPH | 230 | 189 | - | - |
| max. water pressure loss ² (excluding valve) | psi | 0.26 | 0.35 | - | - |
| max. power, motors | HP | 1.05 | 1.05 | 1.05 | 1.05 |
| max. power cons. heating | kW | - | - | 16.4 | - |
| max. current, motors (1 ph) | A | 3.42 | 3.42 | 3.42 | 3.42 |
| max. current consumption | A | 3.42 | 3.42 | 48.8 | 3.42 |
| max. air displacement | cfm | 1915 | 1915 | 1878 | 1915 |
| max. air outlet temperature | °F | 110 | 101 | 118 | - |
| avg. noise level at 3 m ² | dB(A) | 50 | 50 | 49 | 50 |

Metric

Basic data

| | | |
|------------------|---|-------------|
| max. door width | : | 2.0 m |
| max. door height | : | 2.5 - 3.0 m |
| room temperature | : | 20 °C |
| water range W2 | : | 90/70 °C |
| W4 | : | 60/40 °C |

| DF M-200-C | | Water | | Electric | Ambient |
|--|-------------------|-----------------|-----------------|----------|---------|
| | | W2 ¹ | W4 ¹ | | |
| weight | kg | 74 | 78 | 81 | 70 |
| electrical supply/phase | V/ph | 230/1 | 230/1 | 208/3 | 230/1 |
| max. heating capacity ² | kW | 19.8 | 16.5 | 15.5 | - |
| max. water flow rate ² | l/h | 872 | 717 | - | - |
| max. water pressure loss ² (excluding valve) | kPa | 1.76 | 2.42 | - | - |
| max. power, motors | kW | 0.79 | 0.79 | 0.79 | 0.79 |
| max. power cons. heating | kW | - | - | 16.4 | - |
| max. current, motors (1 ph) | A | 3.42 | 3.42 | 3.42 | 3.42 |
| max. current consumption | A | 3.42 | 3.42 | 48.8 | 3.42 |
| max. air displacement | m ³ /h | 3254 | 3254 | 3190 | 3254 |
| max. air outlet temperature | °C | 43 | 39 | 48 | - |
| avg. noise level at 3 m ³ | dB(A) | 50 | 50 | 49 | 50 |

Biddle Air Systems Ltd.

11 King St. Unit #3
Barrie, ON L4N 6B5
Canada
T 705-797-0007
F 705-797-0013
E biddle@biddle.ca
I www.biddle.ca

For USA:

E biddle@biddle-air.com
I www.biddle-air.com

¹ The 2-row heating coil (W2) is suitable for the water ranges 80/60°C and 90/70°C (176/140°F and 194/158°F) and the 4-row heating coil (W4) for low water temperatures between 45/35°C and 70/50°C (113/95°F and 158/122°F).

² The calculations of the tables of the W2 are based on a water range of 90/70°C (1194/158°F) and those for the W4 on a water range of 60/40°C (140/104°F) (water heating).

³ with strength level 2 of 3.

Cassette model

Imperial

Basic data

| | |
|------------------|--------------|
| max. door width | : 100" |
| max. door height | : 100 - 120" |
| room temperature | : 68 °F |
| water range W2 | : 194/158 °F |
| W4 | : 140/104 °F |

| DF M-250-C | | Water | | Electric | Ambient |
|--|--------|-----------------|-----------------|----------|---------|
| | | W2 ¹ | W4 ¹ | | |
| weight | lb | 203 | 214 | 223 | 189 |
| electrical supply/phase | V/ph | 230/1 | 230/1 | 208/3 | 230/1 |
| max. heating capacity ² | kBTU/h | 91 | 77 | 53 | - |
| max. water flow rate ² | USGPH | 312 | 259 | - | - |
| max. water pressure loss ² (excluding valve) | psi | 0.53 | 0.75 | - | - |
| max. power, motors | HP | 1.23 | 1.23 | 1.23 | 1.23 |
| max. power cons. heating | kW | - | - | 16.4 | - |
| max. current, motors (1 ph) | A | 3.99 | 3.99 | 3.99 | 3.99 |
| max. current consumption | A | 3.99 | 3.99 | 49.4 | 3.99 |
| max. air displacement | cfm | 2631 | 2631 | 2495 | 2631 |
| max. air outlet temperature | °F | 111 | 103 | 111 | - |
| avg. noise level at 3 m ² | dB(A) | 51 | 51 | 49 | 51 |

Metric

Basic data

| | |
|------------------|---------------|
| max. door width | : 2.5 m |
| max. door height | : 2.5 - 3.0 m |
| room temperature | : 20 °C |
| water range W2 | : 90/70 °C |
| W4 | : 60/40 °C |

| DF M-250-C | | Water | | Electric | Ambient |
|--|-------------------|-----------------|-----------------|----------|---------|
| | | W2 ¹ | W4 ¹ | | |
| weight | kg | 92 | 97 | 101 | 86 |
| electrical supply/phase | V/ph | 230/1 | 230/1 | 208/3 | 230/1 |
| max. heating capacity ² | kW | 26.8 | 22.6 | 15.5 | - |
| max. water flow rate ² | l/h | 1181 | 979 | - | - |
| max. water pressure loss ² (excluding valve) | kPa | 3.65 | 5.18 | - | - |
| max. power, motors | kW | 0.92 | 0.92 | 0.92 | 0.92 |
| max. power cons. heating | kW | - | - | 16.4 | - |
| max. current, motors (1 ph) | A | 3.99 | 3.99 | 3.99 | 3.99 |
| max. current consumption | A | 3.99 | 3.99 | 49.4 | 3.99 |
| max. air displacement | m ³ /h | 4470 | 4470 | 4239 | 4470 |
| max. air outlet temperature | °C | 44 | 39 | 44 | - |
| avg. noise level at 3 m ³ | dB(A) | 51 | 51 | 49 | 51 |

Biddle Air Systems Ltd.

11 King St. Unit #3
Barrie, ON L4N 6B5
Canada
T 705-797-0007
F 705-797-0013
E biddle@biddle.ca
I www.biddle.ca

For USA:

E biddle@biddle-air.com
I www.biddle-air.com

¹ The 2-row heating coil (W2) is suitable for the water ranges 80/60°C and 90/70°C (176/140°F and 194/158°F) and the 4-row heating coil (W4) for low water temperatures between 45/35°C and 70/50°C (113/95°F and 158/122°F).

² The calculations of the tables of the W2 are based on a water range of 90/70°C (1194/158°F) and those for the W4 on a water range of 60/40°C (140/104°F) (water heating).

³ with strength level 2 of 3.

Recessed model

Imperial

Basic data

| | |
|------------------|--------------|
| max. door width | : 40" |
| max. door height | : 80 - 100" |
| room temperature | : 68 °F |
| water range W2 | : 194/158 °F |
| W4 | : 140/104 °F |

| DF S-100-R | | Water | | Electric | Ambient |
|--|--------|-----------------|-----------------|----------|---------|
| | | W2 ¹ | W4 ¹ | | |
| weight | lb | 66 | 70 | 75 | 62 |
| electrical supply/phase | V/ph | 230/1 | 230/1 | 230/1 | 230/1 |
| max. heating capacity ² | kBTU/h | 27 | 22 | 16 | - |
| max. water flow rate ² | USGPH | 93 | 75 | - | - |
| max. water pressure loss ² (excluding valve) | psi | 0.03 | 0.04 | - | - |
| max. power, motors | HP | 0.35 | 0.35 | 0.35 | 0.35 |
| max. power cons. heating | kW | - | - | 5.0 | - |
| max. current, motors (1 ph) | A | 1.14 | 1.14 | 1.14 | 1.14 |
| max. current consumption | A | 1.14 | 1.14 | 22.9 | 1.14 |
| max. air displacement | cfm | 845 | 845 | 845 | 845 |
| max. air outlet temperature | °F | 109 | 100 | 107 | - |
| avg. noise level at 3 m ² | dB(A) | 42 | 42 | 42 | 42 |

Basic data

| | |
|------------------|---------------|
| max. door width | : 1.0 m |
| max. door height | : 2.0 - 2.5 m |
| room temperature | : 20 °C |
| water range W2 | : 90/70 °C |
| W4 | : 60/40 °C |

Biddle Air Systems Ltd.

11 King St. Unit #3
Barrie, ON L4N 6B5
Canada
T 705-797-0007
F 705-797-0013
E biddle@biddle.ca
I www.biddle.ca

For USA:

E biddle@biddle-air.com
I www.biddle-air.com

Metric

| DF S-100-R | | Water | | Electric | Ambient |
|--|-------------------|-----------------|-----------------|----------|---------|
| | | W2 ¹ | W4 ¹ | | |
| weight | kg | 30 | 32 | 34 | 28 |
| electrical supply/phase | V/ph | 230/1 | 230/1 | 230/1 | 230/1 |
| max. heating capacity ² | kW | 8 | 6.5 | 4.7 | - |
| max. water flow rate ² | l/h | 353 | 283 | - | - |
| max. water pressure loss ² (excluding valve) | kPa | 0.2 | 0.25 | - | - |
| max. power, motors | kW | 0.26 | 0.26 | 0.26 | 0.26 |
| max. power cons. heating | kW | - | - | 5.0 | - |
| max. current, motors (1 ph) | A | 1.14 | 1.14 | 1.14 | 1.14 |
| max. current consumption | A | 1.14 | 1.14 | 22.9 | 1.14 |
| max. air displacement | m ³ /h | 1435 | 1435 | 1435 | 1435 |
| max. air outlet temperature | °C | 43 | 38 | 42 | - |
| avg. noise level at 3 m ³ | dB(A) | 42 | 42 | 42 | 42 |

¹ The 2-row heating coil (W2) is suitable for the water ranges 80/60°C and 90/70°C (176/140°F and 194/158°F) and the 4-row heating coil (W4) for low water temperatures between 45/35°C and 70/50°C (113/95°F and 158/122°F).

² The calculations of the tables of the W2 are based on a water range of 90/70°C (1194/158°F) and those for the W4 on a water range of 60/40°C (140/104°F) (water heating).

³ with strength level 2 of 3.

Recessed model

Imperial

Basic data

| | |
|------------------|--------------|
| max. door width | : 60" |
| max. door height | : 80 - 100" |
| room temperature | : 68 °F |
| water range W2 | : 194/158 °F |
| W4 | : 140/104 °F |

| DF S-150-R | | Water | | Electric | Ambient |
|--|--------|-----------------|-----------------|----------|---------|
| | | W2 ¹ | W4 ¹ | | |
| weight | lb | 99 | 106 | 114 | 97 |
| electrical supply/phase | V/ph | 230/1 | 230/1 | 230/1 | 230/1 |
| max. heating capacity ² | kBTU/h | 45 | 38 | 32 | - |
| max. water flow rate ² | USGPH | 155 | 126 | - | - |
| max. water pressure loss ² (excluding valve) | psi | 0.1 | 0.13 | - | - |
| max. power, motors | HP | 0.53 | 0.53 | 0.53 | 0.53 |
| max. power cons. heating | kW | - | - | 10.0 | - |
| max. current, motors (1 ph) | A | 1.71 | 1.71 | 1.71 | 1.71 |
| max. current consumption | A | 1.71 | 1.71 | 45.2 | 1.71 |
| max. air displacement | cfm | 1286 | 1286 | 1286 | 1286 |
| max. air outlet temperature | °F | 113 | 103 | 120 | - |
| avg. noise level at 3 m ² | dB(A) | 43 | 43 | 43 | 43 |

Metric

Basic data

| | |
|------------------|---------------|
| max. door width | : 1.5 m |
| max. door height | : 2.0 - 2.5 m |
| room temperature | : 20 °C |
| water range W2 | : 90/70 °C |
| W4 | : 60/40 °C |

| DF S-150-R | | Water | | Electric | Ambient |
|--|-------------------|-----------------|-----------------|----------|---------|
| | | W2 ¹ | W4 ¹ | | |
| weight | kg | 45 | 48 | 52 | 44 |
| electrical supply/phase | V/ph | 230/1 | 230/1 | 230/1 | 230/1 |
| max. heating capacity ² | kW | 13.3 | 11 | 9.5 | - |
| max. water flow rate ² | l/h | 587 | 477 | - | - |
| max. water pressure loss ² (excluding valve) | kPa | 0.69 | 0.91 | - | - |
| max. power, motors | kW | 0.39 | 0.39 | 0.39 | 0.39 |
| max. power cons. heating | kW | - | - | 10.0 | - |
| max. current, motors (1 ph) | A | 1.71 | 1.71 | 1.71 | 1.71 |
| max. current consumption | A | 1.71 | 1.71 | 45.2 | 1.71 |
| max. air displacement | m ³ /h | 2185 | 2185 | 2185 | 2185 |
| max. air outlet temperature | °C | 45 | 40 | 49 | - |
| avg. noise level at 3 m ³ | dB(A) | 43 | 43 | 43 | 43 |

Biddle Air Systems Ltd.

11 King St. Unit #3
Barrie, ON L4N 6B5
Canada
T 705-797-0007
F 705-797-0013
E biddle@biddle.ca
I www.biddle.ca

For USA:

E biddle@biddle-air.com
I www.biddle-air.com

¹ The 2-row heating coil (W2) is suitable for the water ranges 80/60°C and 90/70°C (176/140°F and 194/158°F) and the 4-row heating coil (W4) for low water temperatures between 45/35°C and 70/50°C (113/95°F and 158/122°F).

² The calculations of the tables of the W2 are based on a water range of 90/70°C (1194/158°F) and those for the W4 on a water range of 60/40°C (140/104°F) (water heating).

³ with strength level 2 of 3.

Recessed model

Imperial

Basic data

| | |
|------------------|--------------|
| max. door width | : 80" |
| max. door height | : 80 - 100" |
| room temperature | : 68 °F |
| water range W2 | : 194/158 °F |
| W4 | : 140/104 °F |

| DF S-200-R | | Water | | Electric | Ambient |
|--|--------|-----------------------|-----------------------|-----------------|----------------|
| | | W2¹ | W4¹ | | |
| weight | lb | 128 | 136 | 149 | 124 |
| electrical supply/phase | V/ph | 230/1 | 230/1 | 230/1 | 230/1 |
| max. heating capacity ² | kBTU/h | 63 | 53 | 32 | - |
| max. water flow rate ² | USGPH | 216 | 177 | - | - |
| max. water pressure loss ² (excluding valve) | psi | 0.23 | 0.31 | - | - |
| max. power, motors | HP | 0.7 | 0.7 | 0.7 | 0.7 |
| max. power cons. heating | kW | - | - | 10.0 | - |
| max. current, motors (1 ph) | A | 2.28 | 2.28 | 2.28 | 2.28 |
| max. current consumption | A | 2.28 | 2.28 | 45.8 | 2.28 |
| max. air displacement | cfm | 1718 | 1718 | 1718 | 1718 |
| max. air outlet temperature | °F | 114 | 105 | 107 | - |
| avg. noise level at 3 m ² | dB(A) | 45 | 45 | 45 | 45 |

Metric

Basic data

| | |
|------------------|---------------|
| max. door width | : 2.0 m |
| max. door height | : 2.0 - 2.5 m |
| room temperature | : 20 °C |
| water range W2 | : 90/70 °C |
| W4 | : 60/40 °C |

| DF S-200-R | | Water | | Electric | Ambient |
|--|-------------------|-----------------------|-----------------------|-----------------|----------------|
| | | W2¹ | W4¹ | | |
| weight | kg | 58 | 62 | 68 | 57 |
| electrical supply/phase | V/ph | 230/1 | 230/1 | 230/1 | 230/1 |
| max. heating capacity ² | kW | 18.6 | 15.4 | 9.5 | - |
| max. water flow rate ² | l/h | 819 | 670 | - | - |
| max. water pressure loss ² (excluding valve) | kPa | 1.57 | 2.14 | - | - |
| max. power, motors | kW | 0.52 | 0.52 | 0.52 | 0.52 |
| max. power cons. heating | kW | - | - | 10.0 | - |
| max. current, motors (1 ph) | A | 2.28 | 2.28 | 2.28 | 2.28 |
| max. current consumption | A | 2.28 | 2.28 | 45.8 | 2.28 |
| max. air displacement | m ³ /h | 2919 | 2919 | 2919 | 2919 |
| max. air outlet temperature | °C | 46 | 40 | 41 | - |
| avg. noise level at 3 m ³ | dB(A) | 45 | 45 | 45 | 45 |

Biddle Air Systems Ltd.

11 King St. Unit #3
Barrie, ON L4N 6B5
Canada
T 705-797-0007
F 705-797-0013
E biddle@biddle.ca
I www.biddle.ca

For USA:

E biddle@biddle-air.com
I www.biddle-air.com

¹ The 2-row heating coil (W2) is suitable for the water ranges 80/60°C and 90/70°C (176/140°F and 194/158°F) and the 4-row heating coil (W4) for low water temperatures between 45/35°C and 70/50°C (113/95°F and 158/122°F).

² The calculations of the tables of the W2 are based on a water range of 90/70°C (1194/158°F) and those for the W4 on a water range of 60/40°C (140/104°F) (water heating).

³ with strength level 2 of 3.

Recessed model

Imperial

Basic data

| | |
|------------------|--------------|
| max. door width | : 100" |
| max. door height | : 80 - 100" |
| room temperature | : 68 °F |
| water range W2 | : 194/158 °F |
| W4 | : 140/104 °F |

| DF S-250-R | | Water | | Ambient |
|--|--------|-----------------|-----------------|---------|
| | | W2 ¹ | W4 ¹ | |
| weight | lb | 163 | 174 | 157 |
| electrical supply/phase | V/ph | 230/1 | 230/1 | 230/1 |
| max. heating capacity ² | kBTU/h | 82 | 69 | - |
| max. water flow rate ² | USGPH | 281 | 230 | - |
| max. water pressure loss ² (excluding valve) | psi | 0.44 | 0.61 | - |
| max. power, motors | HP | 0.88 | 0.88 | 0.88 |
| max. power cons. heating | kW | - | - | - |
| max. current, motors (1 ph) | A | 2.85 | 2.85 | 2.85 |
| max. current consumption | A | 2.85 | 2.85 | 2.85 |
| max. air displacement | cfm | 2188 | 2188 | 2188 |
| max. air outlet temperature | °F | 115 | 106 | - |
| avg. noise level at 3 m ² | dB(A) | 46 | 46 | 46 |

Metric

Basic data

| | |
|------------------|---------------|
| max. door width | : 2.5 m |
| max. door height | : 2.0 - 2.5 m |
| room temperature | : 20 °C |
| water range W2 | : 90/70 °C |
| W4 | : 60/40 °C |

| DF S-250-R | | Water | | Ambient |
|--|-------------------|-----------------|-----------------|---------|
| | | W2 ¹ | W4 ¹ | |
| weight | kg | 74 | 79 | 71 |
| electrical supply/phase | V/ph | 230/1 | 230/1 | 230/1 |
| max. heating capacity ² | kW | 24.1 | 20.1 | - |
| max. water flow rate ² | l/h | 1063 | 872 | - |
| max. water pressure loss ² (excluding valve) | kPa | 3 | 4.2 | - |
| max. power, motors | kW | 0.66 | 0.66 | 0.66 |
| max. power cons. heating | kW | - | - | - |
| max. current, motors (1 ph) | A | 2.85 | 2.85 | 2.85 |
| max. current consumption | A | 2.85 | 2.85 | 2.85 |
| max. air displacement | m ³ /h | 3718 | 3718 | 3718 |
| max. air outlet temperature | °C | 46 | 41 | - |
| avg. noise level at 3 m ³ | dB(A) | 46 | 46 | 46 |

Biddle Air Systems Ltd.

11 King St. Unit #3
Barrie, ON L4N 6B5
Canada
T 705-797-0007
F 705-797-0013
E biddle@biddle.ca
I www.biddle.ca

For USA:

E biddle@biddle-air.com
I www.biddle-air.com

¹ The 2-row heating coil (W2) is suitable for the water ranges 80/60°C and 90/70°C (176/140°F and 194/158°F) and the 4-row heating coil (W4) for low water temperatures between 45/35°C and 70/50°C (113/95°F and 158/122°F).

² The calculations of the tables of the W2 are based on a water range of 90/70°C (1194/158°F) and those for the W4 on a water range of 60/40°C (140/104°F) (water heating).

³ with strength level 2 of 3.

Recessed model

Imperial

Basic data

| | | |
|------------------|---|------------|
| max. door width | : | 40" |
| max. door height | : | 100 - 120" |
| room temperature | : | 68 °F |
| water range W2 | : | 194/158 °F |
| W4 | : | 140/104 °F |

| DF M-100-R | | Water | | Electric | Ambient |
|--|--------|-----------------|-----------------|----------|---------|
| | | W2 ¹ | W4 ¹ | | |
| weight | lb | 75 | 79 | 84 | 71 |
| electrical supply/phase | V/ph | 230/1 | 230/1 | 208/3 | 230/1 |
| max. heating capacity ² | kBTU/h | 29 | 24 | 27 | - |
| max. water flow rate ² | USGPH | 100 | 81 | - | - |
| max. water pressure loss ² (excluding valve) | psi | 0.03 | 0.04 | - | - |
| max. power, motors | HP | 0.53 | 0.53 | 0.53 | 0.53 |
| max. power cons. heating | kW | - | - | 8.2 | - |
| max. current, motors (1 ph) | A | 1.71 | 1.71 | 1.71 | 1.71 |
| max. current consumption | A | 1.71 | 1.71 | 24.4 | 1.71 |
| max. air displacement | cfm | 958 | 958 | 939 | 958 |
| max. air outlet temperature | °F | 105 | 97 | 118 | - |
| avg. noise level at 3 m ² | dB(A) | 47 | 47 | 46 | 47 |

Metric

Basic data

| | | |
|------------------|---|-------------|
| max. door width | : | 1.0 m |
| max. door height | : | 2.5 - 3.0 m |
| room temperature | : | 20 °C |
| water range W2 | : | 90/70 °C |
| W4 | : | 60/40 °C |

| DF M-100-R | | Water | | Electric | Ambient |
|--|-------------------|-----------------|-----------------|----------|---------|
| | | W2 ¹ | W4 ¹ | | |
| weight | kg | 34 | 36 | 38 | 32 |
| electrical supply/phase | V/ph | 230/1 | 230/1 | 208/3 | 230/1 |
| max. heating capacity ² | kW | 8.6 | 7 | 7.8 | - |
| max. water flow rate ² | l/h | 379 | 305 | - | - |
| max. water pressure loss ² (excluding valve) | kPa | 0.23 | 0.29 | - | - |
| max. power, motors | kW | 0.39 | 0.39 | 0.39 | 0.39 |
| max. power cons. heating | kW | - | - | 8.2 | - |
| max. current, motors (1 ph) | A | 1.71 | 1.71 | 1.71 | 1.71 |
| max. current consumption | A | 1.71 | 1.71 | 24.4 | 1.71 |
| max. air displacement | m ³ /h | 1627 | 1627 | 1595 | 1627 |
| max. air outlet temperature | °C | 40 | 36 | 48 | - |
| avg. noise level at 3 m ³ | dB(A) | 47 | 47 | 46 | 47 |

Biddle Air Systems Ltd.

11 King St. Unit #3
Barrie, ON L4N 6B5
Canada
T 705-797-0007
F 705-797-0013
E biddle@biddle.ca
I www.biddle.ca

For USA:

E biddle@biddle-air.com
I www.biddle-air.com

¹ The 2-row heating coil (W2) is suitable for the water ranges 80/60°C and 90/70°C (176/140°F and 194/158°F) and the 4-row heating coil (W4) for low water temperatures between 45/35°C and 70/50°C (113/95°F and 158/122°F).

² The calculations of the tables of the W2 are based on a water range of 90/70°C (1194/158°F) and those for the W4 on a water range of 60/40°C (140/104°F) (water heating).

³ with strength level 2 of 3.

Recessed model

Imperial

Basic data

| | |
|------------------|--------------|
| max. door width | : 60" |
| max. door height | : 100 - 120" |
| room temperature | : 68 °F |
| water range W2 | : 194/158 °F |
| W4 | : 140/104 °F |

| DF M-150-R | | Water | | Electric | Ambient |
|--|--------|-----------------|-----------------|----------|---------|
| | | W2 ¹ | W4 ¹ | | |
| weight | lb | 109 | 115 | 124 | 106 |
| electrical supply/phase | V/ph | 230/1 | 230/1 | 208/3 | 230/1 |
| max. heating capacity ² | kBTU/h | 50 | 41 | 40 | - |
| max. water flow rate ² | USGPH | 170 | 139 | - | - |
| max. water pressure loss ² (excluding valve) | psi | 0.12 | 0.16 | - | - |
| max. power, motors | HP | 0.7 | 0.7 | 0.7 | 0.7 |
| max. power cons. heating | kW | - | - | 12.3 | - |
| max. current, motors (1 ph) | A | 2.28 | 2.28 | 2.28 | 2.28 |
| max. current consumption | A | 2.28 | 2.28 | 36.3 | 2.28 |
| max. air displacement | cfm | 1503 | 1503 | 1426 | 1503 |
| max. air outlet temperature | °F | 109 | 101 | 124 | - |
| avg. noise level at 3 m ² | dB(A) | 47 | 47 | 45 | 47 |

Metric

Basic data

| | |
|------------------|---------------|
| max. door width | : 1.5 m |
| max. door height | : 2.5 - 3.0 m |
| room temperature | : 20 °C |
| water range W2 | : 90/70 °C |
| W4 | : 60/40 °C |

| DF M-150-R | | Water | | Electric | Ambient |
|--|-------------------|-----------------|-----------------|----------|---------|
| | | W2 ¹ | W4 ¹ | | |
| weight | kg | 49 | 52 | 56 | 48 |
| electrical supply/phase | V/ph | 230/1 | 230/1 | 208/3 | 230/1 |
| max. heating capacity ² | kW | 14.6 | 12.1 | 11.7 | - |
| max. water flow rate ² | l/h | 630 | 525 | - | - |
| max. water pressure loss ² (excluding valve) | kPa | 0.81 | 1.08 | - | - |
| max. power, motors | kW | 0.52 | 0.52 | 0.52 | 0.52 |
| max. power cons. heating | kW | - | - | 12.3 | - |
| max. current, motors (1 ph) | A | 2.28 | 2.28 | 2.28 | 2.28 |
| max. current consumption | A | 2.28 | 2.28 | 36.3 | 2.28 |
| max. air displacement | m ³ /h | 2554 | 2554 | 2422 | 2554 |
| max. air outlet temperature | °C | 43 | 38 | 51 | - |
| avg. noise level at 3 m ³ | dB(A) | 47 | 47 | 45 | 47 |

Biddle Air Systems Ltd.

11 King St. Unit #3
Barrie, ON L4N 6B5
Canada
T 705-797-0007
F 705-797-0013
E biddle@biddle.ca
I www.biddle.ca

For USA:

E biddle@biddle-air.com
I www.biddle-air.com

¹ The 2-row heating coil (W2) is suitable for the water ranges 80/60°C and 90/70°C (176/140°F and 194/158°F) and the 4-row heating coil (W4) for low water temperatures between 45/35°C and 70/50°C (113/95°F and 158/122°F).

² The calculations of the tables of the W2 are based on a water range of 90/70°C (1194/158°F) and those for the W4 on a water range of 60/40°C (140/104°F) (water heating).

³ with strength level 2 of 3.

Recessed model

Imperial

Basic data

| | |
|------------------|--------------|
| max. door width | : 80" |
| max. door height | : 100 - 120" |
| room temperature | : 68 °F |
| water range W2 | : 194/158 °F |
| W4 | : 140/104 °F |

| DF M-200-R | | Water | | Electric | Ambient |
|--|--------|-----------------|-----------------|----------|---------|
| | | W2 ¹ | W4 ¹ | | |
| weight | lb | 146 | 154 | 167 | 142 |
| electrical supply/phase | V/ph | 230/1 | 230/1 | 208/3 | 230/1 |
| max. heating capacity ² | kBTU/h | 68 | 56 | 53 | - |
| max. water flow rate ² | USGPH | 230 | 189 | - | - |
| max. water pressure loss ² (excluding valve) | psi | 0.26 | 0.35 | - | - |
| max. power, motors | HP | 1.05 | 1.05 | 1.05 | 1.05 |
| max. power cons. heating | kW | - | - | 16.4 | - |
| max. current, motors (1 ph) | A | 3.42 | 3.42 | 3.42 | 3.42 |
| max. current consumption | A | 3.42 | 3.42 | 48.8 | 3.42 |
| max. air displacement | cfm | 1915 | 1915 | 1878 | 1915 |
| max. air outlet temperature | °F | 110 | 102 | 118 | - |
| avg. noise level at 3 m ² | dB(A) | 50 | 50 | 49 | 50 |

Metric

Basic data

| | |
|------------------|---------------|
| max. door width | : 2.0 m |
| max. door height | : 2.5 - 3.0 m |
| room temperature | : 20 °C |
| water range W2 | : 90/70 °C |
| W4 | : 60/40 °C |

| DF M-200-R | | Water | | Electric | Ambient |
|--|-------------------|-----------------|-----------------|----------|---------|
| | | W2 ¹ | W4 ¹ | | |
| weight | kg | 66 | 70 | 76 | 65 |
| electrical supply/phase | V/ph | 230/1 | 230/1 | 208/3 | 230/1 |
| max. heating capacity ² | kW | 19.8 | 16.5 | 15.5 | - |
| max. water flow rate ² | l/h | 872 | 717 | - | - |
| max. water pressure loss ² (excluding valve) | kPa | 1.76 | 2.42 | - | - |
| max. power, motors | kW | 0.79 | 0.79 | 0.79 | 0.79 |
| max. power cons. heating | kW | - | - | 16.4 | - |
| max. current, motors (1 ph) | A | 3.42 | 3.42 | 3.42 | 3.42 |
| max. current consumption | A | 3.42 | 3.42 | 48.8 | 3.42 |
| max. air displacement | m ³ /h | 3254 | 3254 | 3190 | 3254 |
| max. air outlet temperature | °C | 43 | 39 | 48 | - |
| avg. noise level at 3 m ³ | dB(A) | 50 | 50 | 49 | 50 |

Biddle Air Systems Ltd.

11 King St. Unit #3
Barrie, ON L4N 6B5
Canada
T 705-797-0007
F 705-797-0013
E biddle@biddle.ca
I www.biddle.ca

For USA:

E biddle@biddle-air.com
I www.biddle-air.com

¹ The 2-row heating coil (W2) is suitable for the water ranges 80/60°C and 90/70°C (176/140°F and 194/158°F) and the 4-row heating coil (W4) for low water temperatures between 45/35°C and 70/50°C (113/95°F and 158/122°F).

² The calculations of the tables of the W2 are based on a water range of 90/70°C (1194/158°F) and those for the W4 on a water range of 60/40°C (140/104°F) (water heating).

³ with strength level 2 of 3.

Recessed model

Imperial

Basic data

| | |
|------------------|--------------|
| max. door width | : 100" |
| max. door height | : 100 - 120" |
| room temperature | : 68 °F |
| water range W2 | : 194/158 °F |
| W4 | : 140/104 °F |

| DF M-250-R | | Water | | Electric | Ambient |
|--|--------|-----------------|-----------------|----------|---------|
| | | W2 ¹ | W4 ¹ | | |
| weight | lb | 181 | 192 | 208 | 175 |
| electrical supply/phase | V/ph | 230/1 | 230/1 | 208/3 | 230/1 |
| max. heating capacity ² | kBTU/h | 91 | 77 | 53 | - |
| max. water flow rate ² | USGPH | 312 | 259 | - | - |
| max. water pressure loss ² (excluding valve) | psi | 0.53 | 0.75 | - | - |
| max. power, motors | HP | 1.23 | 1.23 | 1.23 | 1.23 |
| max. power cons. heating | kW | - | - | 16.4 | - |
| max. current, motors (1 ph) | A | 3.99 | 3.99 | 3.99 | 3.99 |
| max. current consumption | A | 3.99 | 3.99 | 49.4 | 3.99 |
| max. air displacement | cfm | 2631 | 2631 | 2495 | 2631 |
| max. air outlet temperature | °F | 111 | 103 | 111 | - |
| avg. noise level at 3 m ² | dB(A) | 51 | 51 | 49 | 51 |

Metric

Basic data

| | |
|------------------|---------------|
| max. door width | : 2.5 m |
| max. door height | : 2.5 - 3.0 m |
| room temperature | : 20 °C |
| water range W2 | : 90/70 °C |
| W4 | : 60/40 °C |

| DF M-250-R | | Water | | Electric | Ambient |
|--|-------------------|-----------------|-----------------|----------|---------|
| | | W2 ¹ | W4 ¹ | | |
| weight | kg | 83 | 87 | 95 | 80 |
| electrical supply/phase | V/ph | 230/1 | 230/1 | 208/3 | 230/1 |
| max. heating capacity ² | kW | 26.8 | 22.6 | 15.5 | - |
| max. water flow rate ² | l/h | 1181 | 979 | - | - |
| max. water pressure loss ² (excluding valve) | kPa | 3.65 | 5.18 | - | - |
| max. power, motors | kW | 0.92 | 0.92 | 0.92 | 0.92 |
| max. power cons. heating | kW | - | - | 16.4 | - |
| max. current, motors (1 ph) | A | 3.99 | 3.99 | 3.99 | 3.99 |
| max. current consumption | A | 3.99 | 3.99 | 49.4 | 3.99 |
| max. air displacement | m ³ /h | 4470 | 4470 | 4239 | 4470 |
| max. air outlet temperature | °C | 44 | 39 | 44 | - |
| avg. noise level at 3 m ³ | dB(A) | 51 | 51 | 49 | 51 |

Biddle Air Systems Ltd.

11 King St. Unit #3
Barrie, ON L4N 6B5
Canada
T 705-797-0007
F 705-797-0013
E biddle@biddle.ca
I www.biddle.ca

For USA:

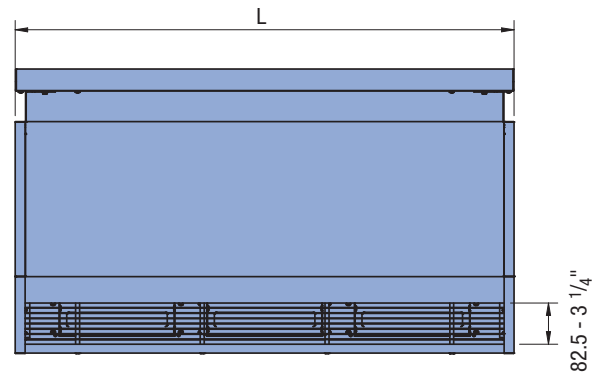
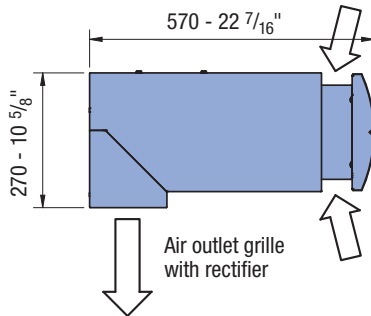
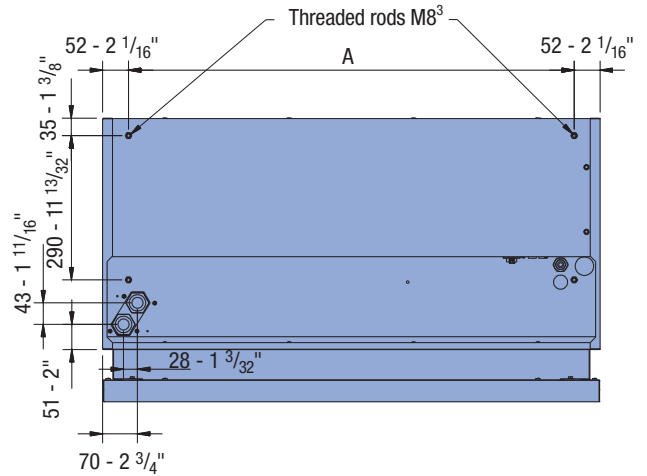
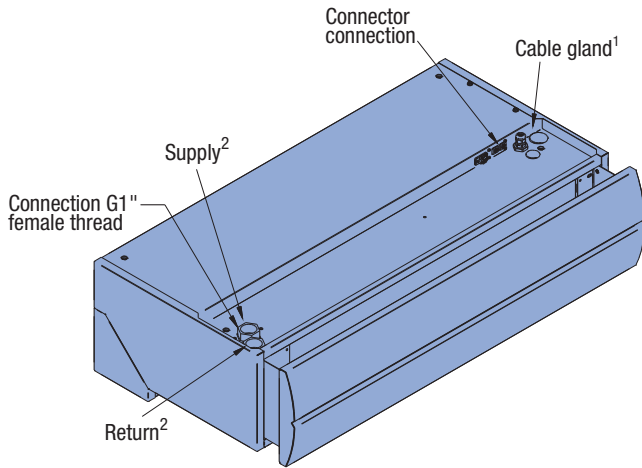
E biddle@biddle-air.com
I www.biddle-air.com

¹ The 2-row heating coil (W2) is suitable for the water ranges 80/60°C and 90/70°C (176/140°F and 194/158°F) and the 4-row heating coil (W4) for low water temperatures between 45/35°C and 70/50°C (113/95°F and 158/122°F).

² The calculations of the tables of the W2 are based on a water range of 90/70°C (1194/158°F) and those for the W4 on a water range of 60/40°C (140/104°F) (water heating).

³ with strength level 2 of 3.

Free-hanging model (F)



| Type | L | A |
|--------|-----------------|------------------|
| DF S/M | 1000 - 39 3/8" | 896 - 35 9/32" |
| | 1500 - 59 1/16" | 1396 - 54 31/32" |
| | 2000 - 78 3/4" | 1896 - 74 21/32" |
| | 2500 - 98 7/16" | 2396 - 94 11/32" |

Notes:

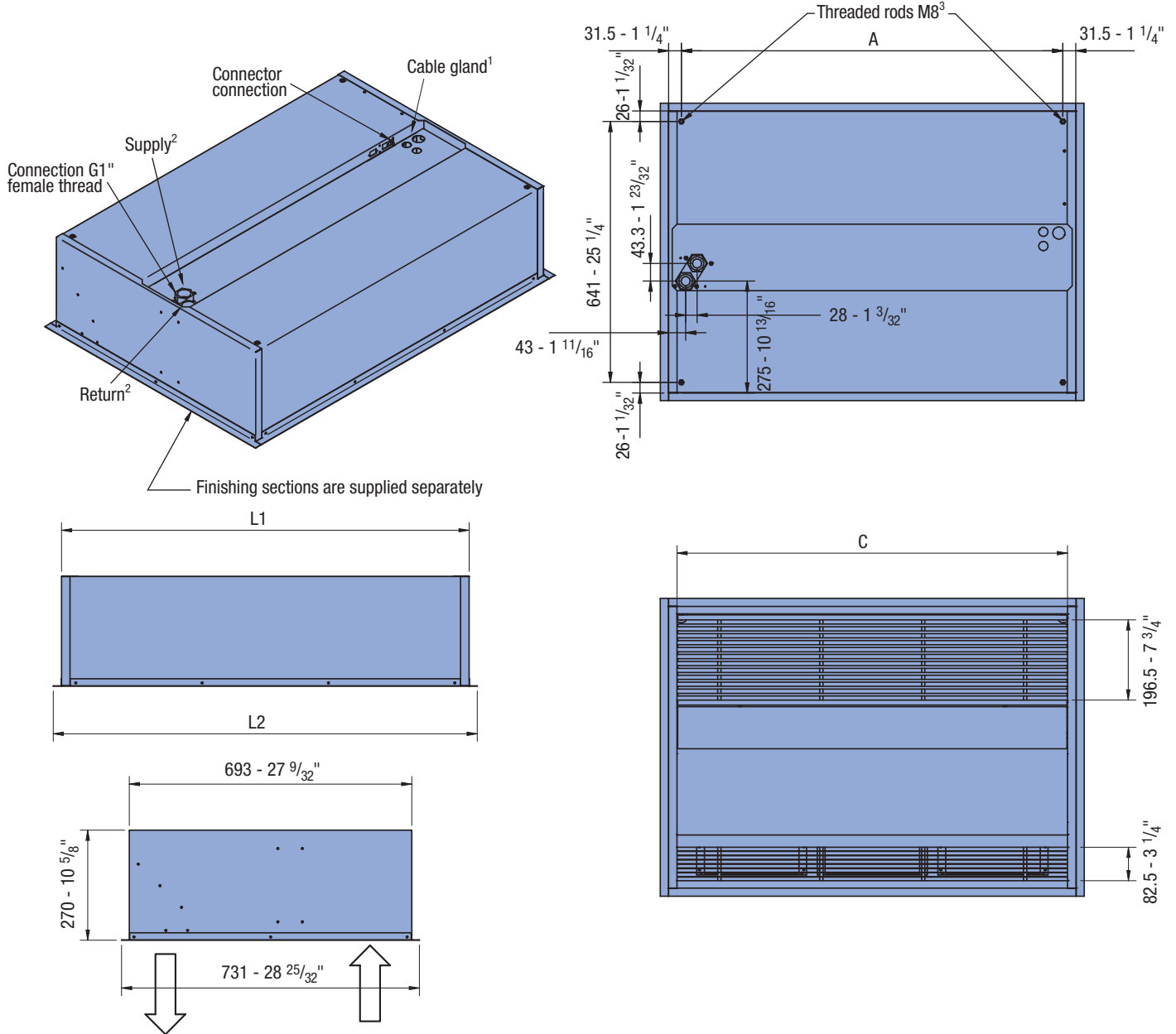
• All dimensions are in mm and inches.

¹ Only for electrical units.

² Only for water units.

³ DF S/M 100/150 and 200 version features a 4 x M8 internal thread, while the 250 version has a 6 x M8 internal thread.

Cassette model (C)

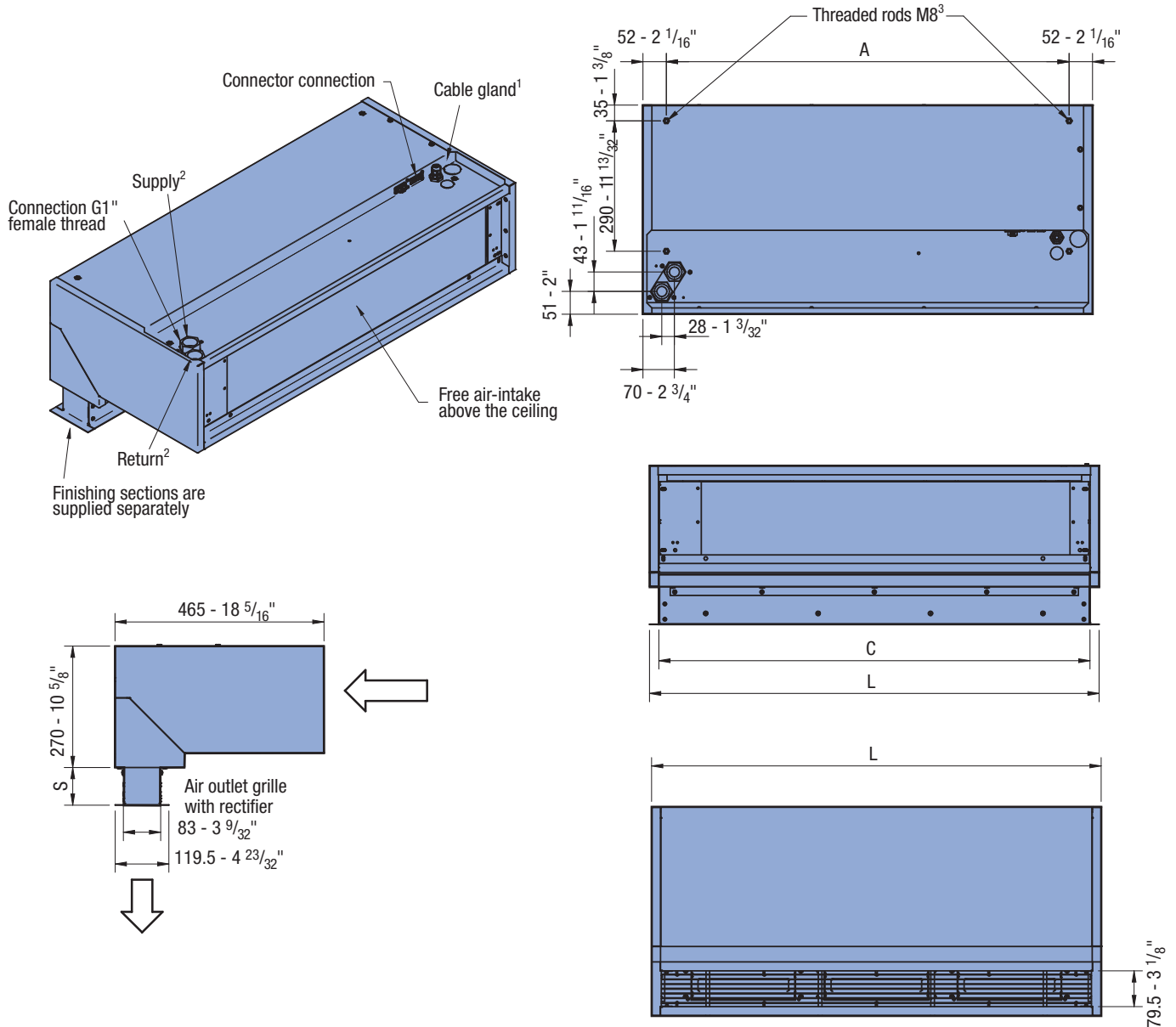


| Type | L1 | L2 | A | C |
|--------|---|--|--|--|
| DF S/M | 1000 - 39 ³ / ₈ '' | 1040 - 40 ¹⁵ / ₁₆ '' | 937 - 36 ⁷ / ₈ '' | 958 - 37 ²³ / ₃₂ '' |
| | 1500 - 59 ¹ / ₁₆ '' | 1540 - 60 ⁵ / ₈ '' | 1437 - 56 ⁹ / ₁₆ '' | 1458 - 57 ¹³ / ₃₂ '' |
| | 2000 - 78 ³ / ₄ '' | 2040 - 80 ⁵ / ₁₆ '' | 1937 - 76 ¹ / ₄ '' | 1958 - 77 ³ / ₃₂ '' |
| | 2500 - 98 ⁷ / ₁₆ '' | 2540 - 100'' | 2437 - 95 ¹⁵ / ₁₆ '' | 2458 - 96 ²⁵ / ₃₂ '' |

Notes:

- All dimensions are in mm and inches.
- Daylight openings (if cover mouldings are used): -for air discharge (L1 + 8 x 701 mm) - (L1+⁵/₁₆'' x 27¹⁹/₃₂'').
- ¹ Only for electrical units.
- ² Only for water units.
- ³ DF S/M 100/150 and 200 version features a 4 x M8 internal thread, while the 250 version has a 6 x M8 internal thread.

Recessed model (R)

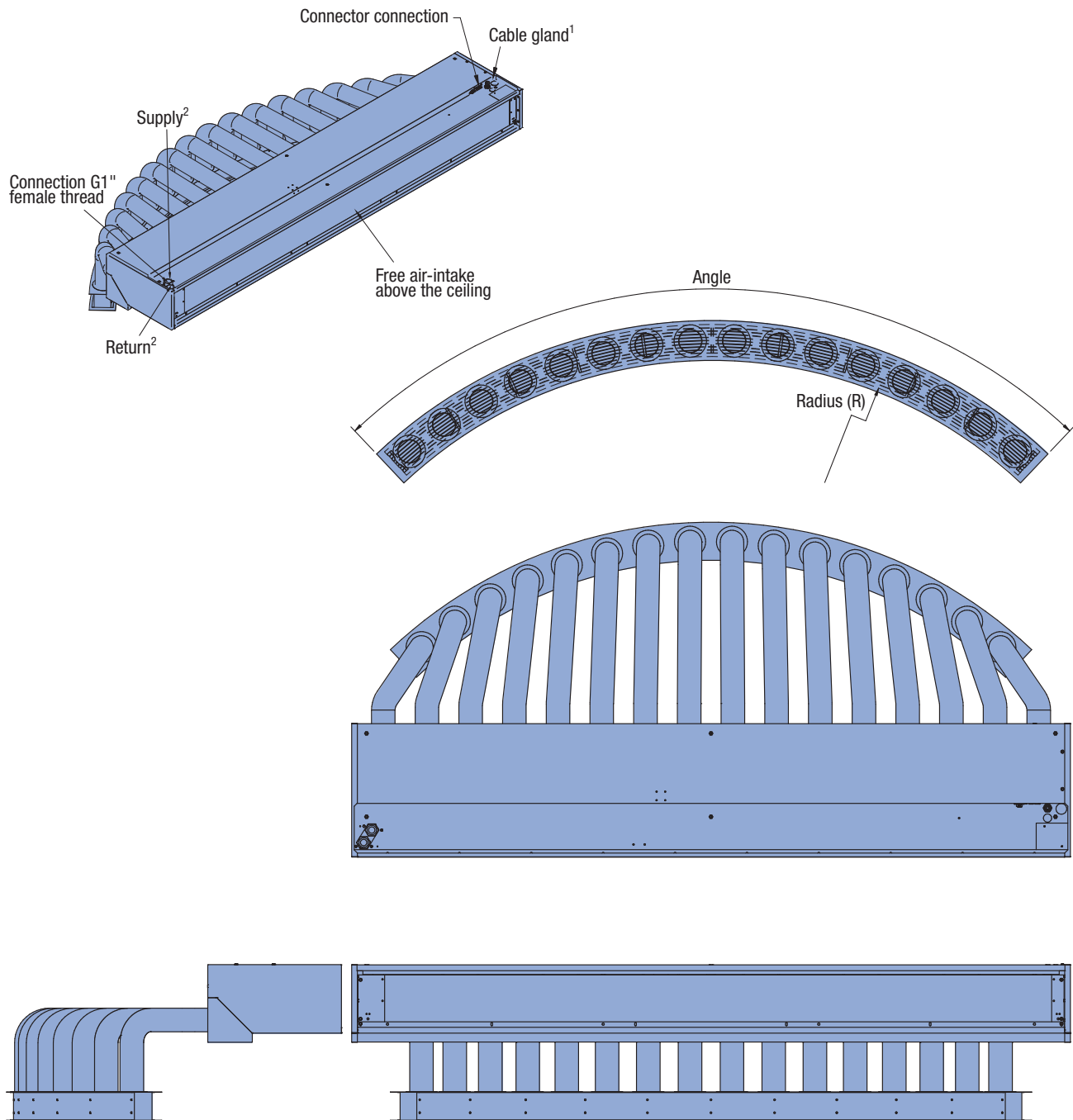


| Type | L | A | C | S |
|--------|-----------------|------------------|------------------|-----------------------------------|
| DF S/M | 1000 - 39 3/8" | 896 - 35 9/32" | 960 - 37 25/32" | 50 - 1 31/32" - 115 - 4 17/32" |
| | 1500 - 59 1/16" | 1396 - 54 31/32" | 1460 - 57 15/32" | |
| | 2000 - 78 3/4" | 1896 - 74 21/32" | 1960 - 77 5/32" | |
| | 2500 - 98 7/16" | 2396 - 94 11/32" | 2460 - 96 27/32" | |

Notes:

- All dimensions are in mm and inches.
 - Daylight openings (if cover mouldings are used): -for air discharge 92 x (C+8) mm - 3 5/8" x (C + 5/16").
 - For safety reasons electrical heated and ambient units come with a guard grille.
- ¹ Only for electrical units.
² Only for water units.
³ DF S/M 100/150 and 200 version features a 4 x M8 internal thread, while the 250 version has a 6 x M8 internal thread.

Tourniquet model (T)



Notes:

- All dimensions are in mm and inches.
- The angle and the radius (R) are needed for an air curtain to fit around the curve of a revolving door.
- For the dimensions of the air curtain, see dimensions Recessed model (R).
- The selection of the unit type depends on the extended length of the revolving door.

¹ Only for electrical units.

² Only for water units.