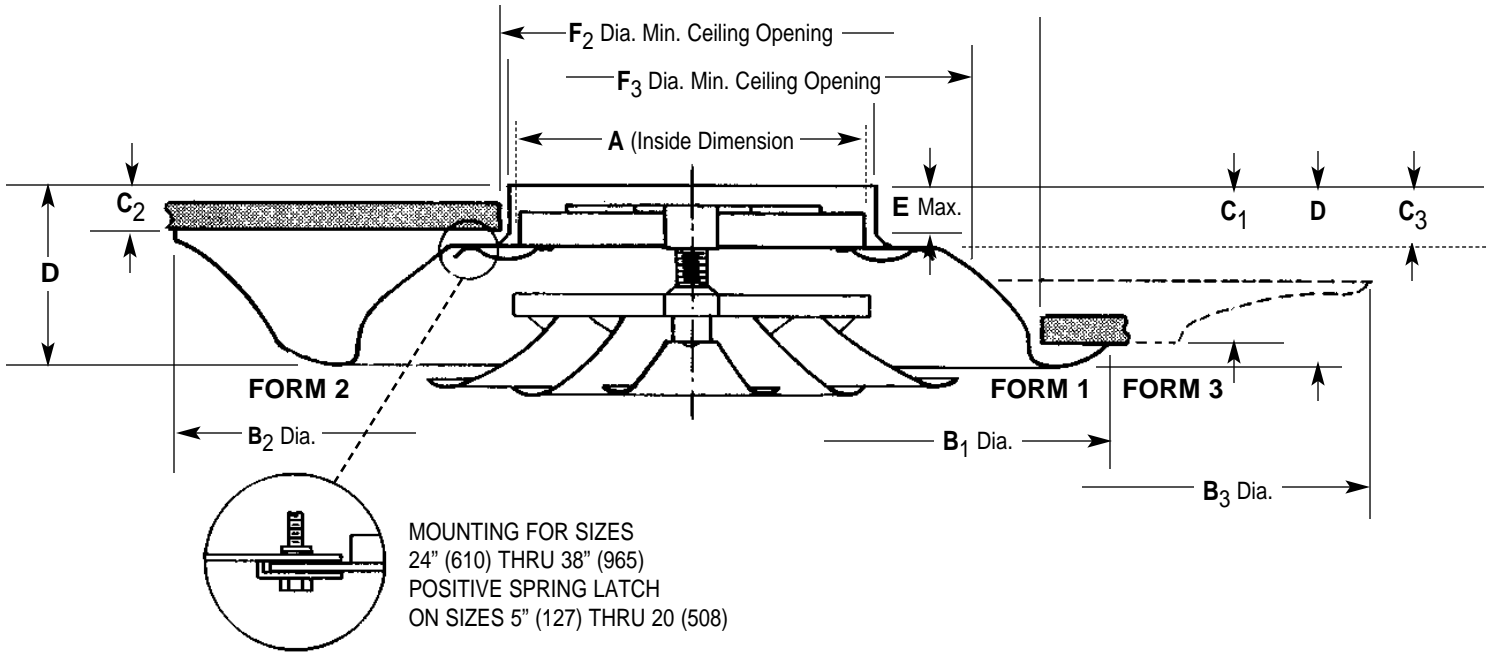


Imperial [IP] Dimensions
Metric (SI) in Parentheses

CARNES COMPANY 448 S. Main St., P. O. Box 930040, Verona, WI 53593-0040 Phone: (608)845-6411 Fax: (608)845-6504 www.carnes.com



DIMENSIONS LISTED IN INCHES (Millimeters)

Model	Size	A	D	E	FORM 1			FORM 2			FORM 3		
					B ₁	C ₁	F ₁	B ₂	C ₂	F ₂	B ₃	C ₃	F ₃
SSAA	05 (127)	5-1/16 (129)	4-9/16 (116)	3/4 (19)	14-1/4 (360)	4-1/16 (103)	11-3/4 (299)	17-1/2 (445)	1-13/16 (46)	6-1/4 (159)	23-1/4 (591)	2-15/16 (75)	11 (279)
SSAA	06 (152)	6-1/16 (154)	3-3/4 (95)	1 (25)	14-1/4 (362)	3-1/4 (83)	11-3/4 (299)	17-1/2 (445)	1 (25)	6-1/4 (159)	23-1/4 (591)	2-1/8 (54)	11 (279)
SSAA	08 (203)	8-1/16 (205)	4-5/8 (118)	1 (25)	18-3/4 (476)	4-1/8 (105)	15-1/2 (394)	23-1/4 (591)	1 (25)	8-1/4 (297)	30 (762)	2-1/4 (57)	14-1/2 (368)
SSAA	10 (254)	10-1/16 (256)	4-15/16 (125)	1 (25)	23-1/8 (587)	4-7/16 (113)	19-1/2 (496)	27-7/8 (708)	1 (25)	10-1/4 (260)	35 (889)	2-7/16 (62)	18-1/2 (470)
SSAA	12 (305)	12-1/16 (306)	5-5/8 (143)	1 (25)	27-1/4 (692)	4-7/8 (124)	23-1/4 (591)	34-1/4 (870)	1 (25)	12-1/14 (311)	43-1/2 (1105)	2-3/4 (70)	21-1/2 (546)
SSAA	14 (356)	14-1/16 (357)	6 (152)	1 (25)	31-7/16 (799)	5-1/4 (133)	27-1/4 (692)	38 (965)	1 (25)	14-1/4 (362)	48 (1219)	3 (76)	25 (635)
SSAA	16 (406)	16-1/8 (410)	8-5/8 (291)	2 (51)	37-1/2 (926)	7-1/2 (191)	31-3/4 (807)	44-1/2 (1130)	2-5/8 (67)	16-3/8 (416)	55-1/2 (14098)	4-5/8 (118)	28-1/4 (718)
SSAA	18 (457)	18-1/8 (460)	9 (229)	2 (51)	40-15/16 (1040)	7-1/8 (200)	35 (889)	51-1/4 (1302)	2-1/2 (64)	18-3/8 (467)	57-1/2 (1461)	5 (127)	32-1/2 (826)
SSAA	20 (508)	20-1/8 (511)	9-3/8 (238)	2 (51)	35-3/16 (1148)	8-1/4 (210)	39 (991)	56 (1422)	2-1/2 (64)	20-3/8 (518)	61-1/2 (1562)	5-3/8 (137)	37 (940)
SSAA	24 (610)	24-1/8 (613)	11-3/16 (284)	3 (76)	52 (1346)	9-13/16 (249)	47 (1194)	66 (1676)	3-1/4 (83)	24-3/8 (619)	65-1/2 (1664)	7-15/16 (202)	47 (1194)
SSAA	28 (711)	28-1/8 (714)	12-3/4 (324)	3 (76)	61 (1494)	11-3/8 (289)	55 (1397)	76 (1930)	3-1/2 (389)	28-3/8 (721)			
SSAA	32 (81)	32-3/16 (818)	13-1/2 (343)	3 (76)	70 (1778)	12-1/4 (311)	63 (1600)						
SSAA	36 (914)	36-3/16 (919)	13-1/2 (343)	3 (76)	70 (1778)	12-1/4 (311)	63 (1600)						
SSAA	38 (965)	38-1/16 (970)	13-1/2 (343)	3 (76)	70 (118)	12-1/4 (311)	63 (1600)						

NOTE: Standard Finish is #11 White Electrocoat Enamel.