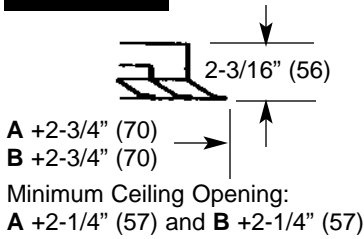


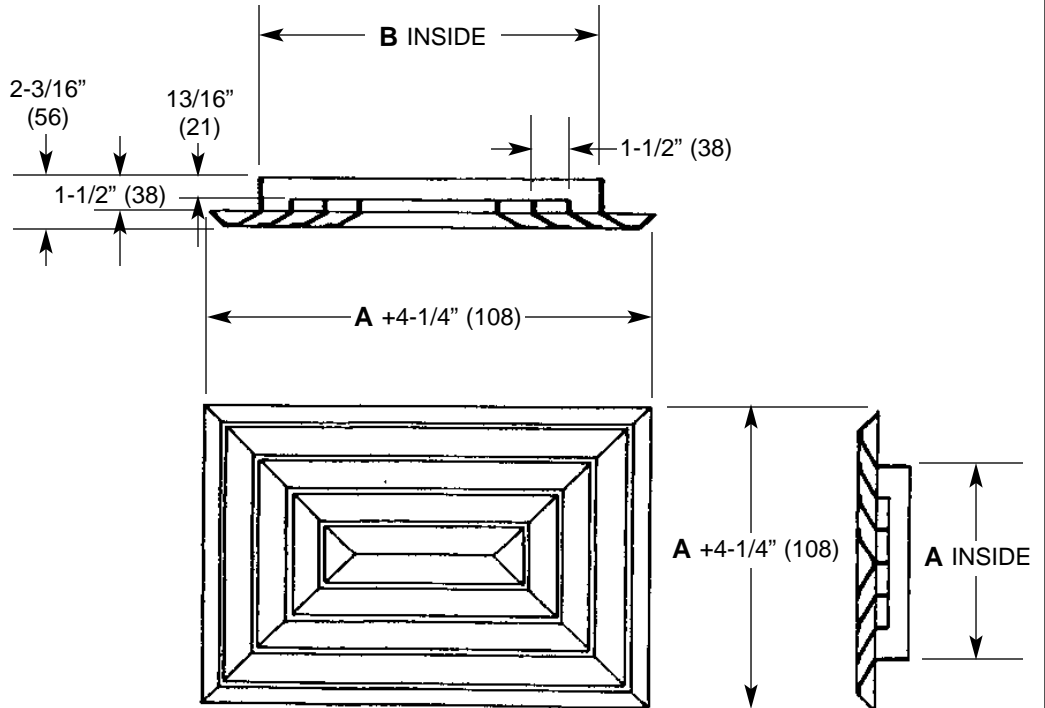
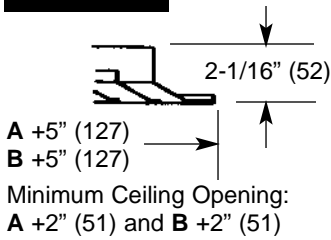
Imperial [IP] Dimensions  
Metric (SI) in Parentheses

CARNES COMPANY 448 S. Main St., P. O. Box 930040, Verona, WI 53593-0040 Phone: (608)845-6411 Fax: (608)845-6504 www.carnes.com

#### Model SKEJ



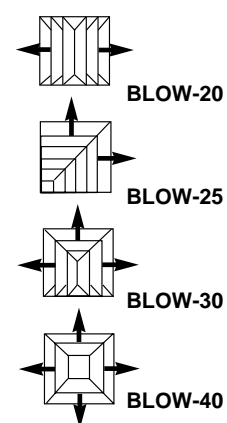
#### Model SKFJ



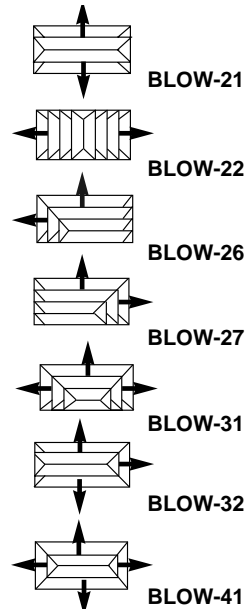
#### SKSJ - 41

Minimum Opening  $A + 1''$  (25) and  $B + 1''$  (25)

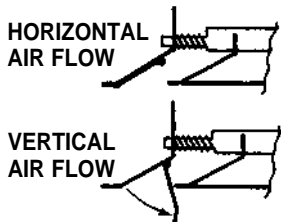
#### SQUARE



#### RECTANGULAR



#### ADJUSTMENT



Two spring loaded pins, four pin suspension to ceiling plate. Removable and interchangeable center core assembly.

**Note:**  
1. Standard Finish #11  
White Electrocoat

#### SKSJ - SKFJ - SKEJ

##### DIMENSIONS LISTED IN INCHES (Millimeters)

Size A x B	Size A x B
6 x 6 (152 x 152)	12 x 15 (305 x 381)
6 x 9 (152 x 229)	12 x 18 (305 x 457)
6 x 12 (152 x 305)	12 x 21 (305 x 533)
6 x 15 (152 x 381)	12 x 24 (305 x 610)
6 x 18 (152 x 457)	15 x 15 (381 x 381)
6 x 21 (152 x 533)	15 x 18 (381 x 457)
6 x 24 (152 x 610)	15 x 21 (381 x 533)
9 x 9 (229 x 229)	15 x 24 (381 x 610)
9 x 12 (229 x 305)	18 x 18 (457 x 457)
9 x 15 (229 x 381)	18 x 21 (457 x 533)
9 x 18 (229 x 457)	18 x 24 (457 x 610)
9 x 21 (229 x 533)	21 x 21 (533 x 533)
9 x 24 (229 x 610)	21 x 24 (533 x 610)
12 x 12 (305 x 305)	24 x 24 (610 x 610)