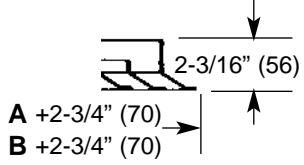


Imperial [IP] Dimensions
Metric (SI) in Parentheses

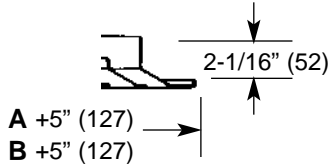
CARNES COMPANY 448 S. Main St., P. O. Box 930040, Verona, WI 53593-0040 Phone: (608)845-6411 Fax: (608)845-6504 www.carnes.com

MODEL SEEA



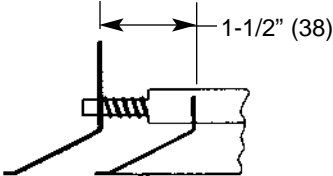
Minimum Ceiling Opening
A + 2-1/4" and B + 2-1/4"

MODEL SEFA

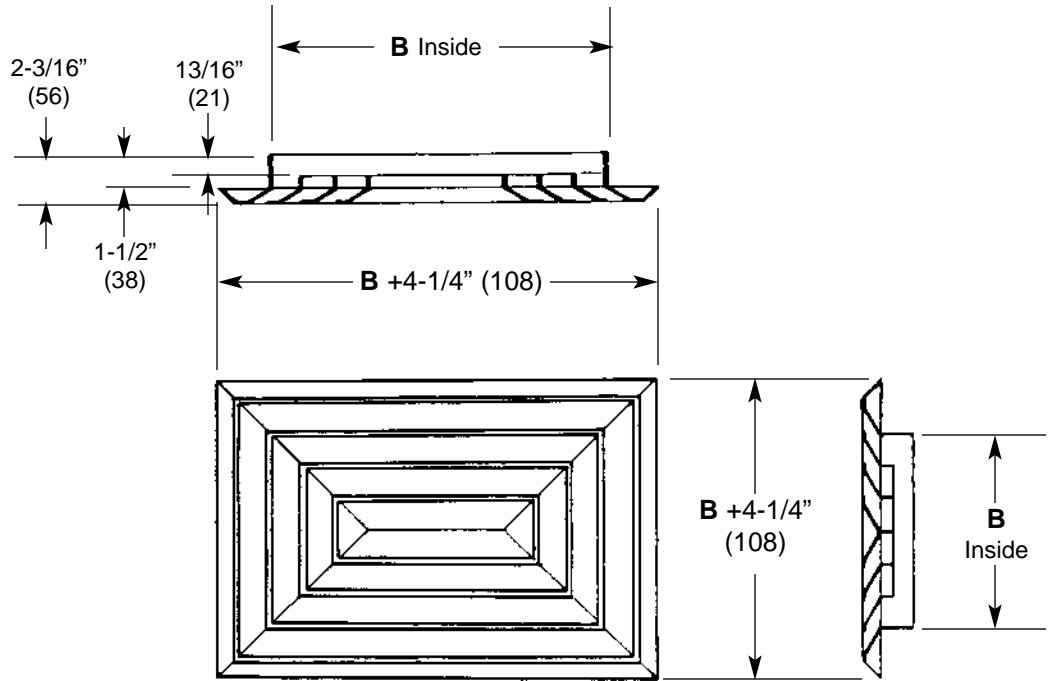


Minimum Ceiling Opening
A + 2" (51) and B + 2" (51)

ADJUSTMENT DETAIL



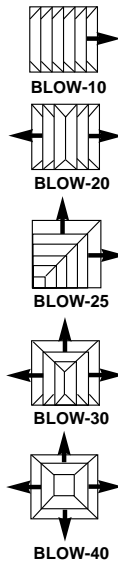
Two spring-loaded pins, four-pin suspension to ceiling plate. Removable and interchangeable center core assembly.



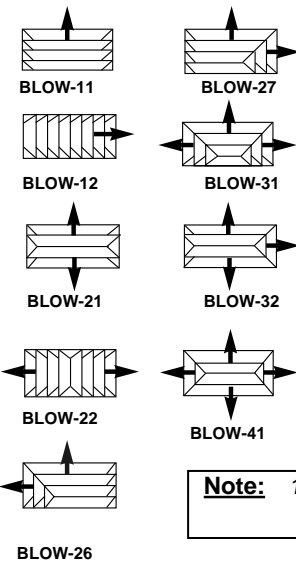
SESA-1

Minimum Ceiling Opening A + 1" (25) and B + 1" (25)

SQUARE



RECTANGULAR



Note: 1. Standard Finish #11 White Electrocoat

SESA - SEFA - SEEA	
DIMENSIONS LISTED IN INCHES (Millimeters)	
Size A x B	Size A x B
6 x 6 (152 x 152)	12 x 15 (305 x 381)
6 x 9 (152 x 229)	12 x 18 (305 x 457)
6 x 12 (152 x 305)	12 x 21 (305 x 533)
6 x 15 (152 x 381)	12 x 24 (305 x 610)
6 x 18 (152 x 457)	15 x 15 (381 x 381)
6 x 21 (152 x 533)	15 x 18 (381 x 457)
6 x 24 (152 x 610)	15 x 21 (381 x 533)
9 x 9 (229 x 229)	15 x 24 (381 x 610)
9 x 12 (229 x 305)	18 x 18 (457 x 457)
9 x 15 (229 x 381)	18 x 21 (457 x 533)
9 x 18 (229 x 457)	18 x 24 (457 x 610)
9 x 21 (229 x 533)	21 x 21 (533 x 533)
9 x 24 (229 x 610)	21 x 24 (533 x 610)
12 x 12 (305 x 305)	24 x 24 (610 x 610)