



COMMERCIAL LOW PROFILE 8

Electric Heated Air Curtain

Data Sheet

For Mounting Heights To 8' (environmental separation)

STANDARD CONSTRUCTION

- 8 1/2" high x 13 1/2" deep
- 1/5 hp two speed motor(s)
- Factory installed fan speed/heat switch
- White or black powder coated exterior (Optional: Custom Color or Stainless)
- Wall & Top Mounting

- Open helical element with point suspension
 - Thermal overload protection
 - Galvanized steel frame
- Alternate kW: see sheet EP-102

2 Year
Limited
Warranty



MODEL	Nozzle Width (in)	Max Vel. at Nozzle (fpm)	Avg. Outlet Vel. (fpm)	Air Volume (cfm)	Outlet Vel. Uniformity	Power Rating (kW)	Motor(s) @ hp	Max Electric Capacity (kW)	Heater Output (MBH)	Air Temp. Rise (°F)	Net Wt. (lbs)
CLC08-1030E	27.50	3,071	1,478	670	89%	0.32	1 @ 1/5	7.2	24.6	34°	42
CLC08-1036E	34.62	3,567	1,760	1,005	92%	0.32	1 @ 1/5	10.0	34.1	31°	48
CLC08-1042E	40.62	3,388	1,755	1,176	93%	0.32	1 @ 1/5	10.0	34.1	27°	53
CLC08-1048E	46.62	3,226	1,742	1,340	94%	0.32	1 @ 1/5	14.4	49.1	34°	58
CLC08-1060E	58.13	2,940	1,702	1,632	95%	0.32	1 @ 1/5	14.4	49.1	28°	67
CLC08-1072E	71.37	2,870	1,707	2,010	95%	0.32	1 @ 1/5	20.0	68.3	31°	77
CLC08-2084E	83.50	3,388	1,707	2,351	93%	0.64	2 @ 1/5	20.0	68.3	27°	105
CLC08-2096E	95.50	3,226	1,701	2,679	94%	0.64	2 @ 1/5	28.8	98.3	34°	115
CLC08-2108E	107.00	3,226	1,684	2,971	94%	0.64	2 @ 1/5	28.8	98.3	30°	123
CLC08-2120E	118.50	2,940	1,670	3,263	95%	0.64	2 @ 1/5	28.8	98.3	28°	137

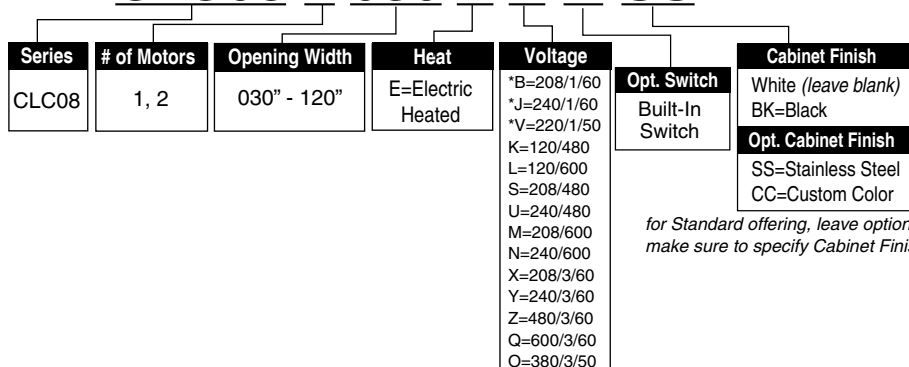
NOTES:

1. Operation at 50 Hz will generate approximately a 17% reduction in performance.
2. Performance data based on unheated units.
3. Consult factory for vertically mounted units.

See sheet EP-102 for amp draws/total load requirements and alternate kW.

MODEL NUMBER CONFIGURATION

CLC08-1 030 E B-R-SS



*Max 16kW
See sheet EP-102
for available lengths
and voltages

for Standard offering, leave options (Opt.) blank
make sure to specify Cabinet Finish if other than white

Sound level measured 10' (3m) from the unit in free field:
1 motor: Low/High Speed: 53/54 dBA
2 motors: Low/High Speed: 56/57 dBA

Berner reserves the right to alter specifications without prior notice.



COMMERCIAL LOW PROFILE 8

Electric Heated Air Curtain

Electrical Performance Sheet

MODEL	kW (suffix)	Temp Rise °F	208/1/60 (voltage code B) MOTOR AMP DRAW = 1.7 each			240/1/60 (voltage code J) or 220/1/50 (voltage code V) MOTOR AMP DRAW = 1.7 each			208/3/60 (voltage code X) MOTOR AMP DRAW = 1.7 each			240/3/60 (voltage code Y) MOTOR AMP DRAW = 1.7 each		
			# CKTS	AMPS PER CIRCUIT (including motor)	BREAKER RATING PER CIRCUIT	# CKTS	AMPS PER CIRCUIT (including motor)	BREAKER RATING PER CIRCUIT	# CKTS	AMPS PER CIRCUIT (including motor)	BREAKER RATING PER CIRCUIT	# CKTS	AMPS PER CIRCUIT (including motor)	BREAKER RATING PER CIRCUIT
CLC08-1030E	7.2 (072)	34	1	36.3	50	1	31.7	40	-	N/A	N/A	-	N/A	N/A
	5.4 (054)	25	1	27.7	35	1	24.2	35	-	N/A	N/A	-	N/A	N/A
	4 (040)	19	1	20.9	30	1	18.4	25	-	N/A	N/A	-	N/A	N/A
	3 (030)	14	1	16.1	25	1	12.5	20	-	N/A	N/A	-	N/A	N/A
CLC08-1036E CLC08-1042E	10 (100)	31	1	49.8	60	1	43.4	60	1	29.5	40	1	25.8	35
	7.5 (075)	23	1	37.8	50	1	33.0	45	1	22.5	30	1	19.7	25
	5.6 (056)	18	1	28.6	40	1	25.0	35	1	17.2	25	1	15.2	20
	4 (040)	13	1	20.9	30	-	N/A	N/A	1	12.8	20	-	N/A	N/A
CLC08-1048E CLC08-1060E	14.4 (144)	34	2	36.3/34.6	50/45	2	31.7/30.0	40/40	1	41.7	60	1	36.3	50
	10.8 (108)	25	2	27.7/26.0	35/35	1	46.7	60	1	31.7	40	1	27.7	35
	8.1 (081)	19	1	40.6	60	1	35.5	45	1	24.2	35	1	21.2	30
	5.6 (056)	13	1	28.6	40	-	N/A	N/A	1	17.2	25	-	N/A	N/A
CLC08-1072E	20 (200)	31	-	N/A	N/A	2	43.4/41.7	60/60	2	29.5/27.8	40/35	2	25.8/24.1	35/35
	15 (150)	23	2	37.8/36.1	50/50	2	33.0/31.3	45/40	1	43.3	60	1	37.8	50
	11.2 (112)	18	2	28.6/26.9	40/35	1	48.4	60	1	32.8	45	1	28.6	40
	8 (080)	13	1	40.2	60	-	N/A	N/A	1	23.9	30	-	N/A	N/A
CLC08-2084E	20 (200)	27	-	N/A	N/A	-	N/A	N/A	2	31.2/27.8	40/35	2	27.5/24.1	35/35
	15 (150)	20	2	39.5/36.1	50/50	2	34.7/31.3	45/40	1	45.0	60	1	39.5	50
	11.2 (112)	15	2	30.3/26.9	40/35	1	50.1	60	1	34.5	45	1	30.3	40
	8 (080)	11	1	41.9	60	-	N/A	N/A	1	25.6	35	-	N/A	N/A
CLC08-2096E CLC08-2108E CLC08-2120E	28.8 (288)	34	-	N/A	N/A	-	N/A	N/A	2	43.4/40.0	60/50	2	38.0/34.6	50/45
	21.6 (216)	25	-	N/A	N/A	-	N/A	N/A	2	33.4/30.0	45/40	2	29.4/26.0	40/35
	16.2 (162)	19	2	42.3/38.9	60/50	2	37.2/33.8	50/45	1	48.4	60	1	42.4	60
	11.2 (112)	13	2	30.3/26.9	40/35	-	N/A	N/A	1	34.5	45	-	N/A	N/A



COMMERCIAL LOW PROFILE 8

Electric Heated Air Curtain

Electrical Performance Sheet

MODEL	kW (suffix)	Temp Rise °F	120/1/60 - 480/3/60 (voltage code K) 120V MOTOR AMP DRAW = 3.4 each				208/1/60 - 480/3/60 (voltage code S) 208V MOTOR AMP DRAW = 1.7 each				240/1/60 - 480/3/60 (voltage code U) 240V MOTOR AMP DRAW = 1.7 each				480/3/60 (voltage code Z) MOTOR AMP DRAW = 0.9 each					
			# CKTS	AMPS PER CIRCUIT		BREAKER RATING PER CIRCUIT		# CKTS	AMPS PER CIRCUIT		BREAKER RATING PER CIRCUIT		# CKTS	AMPS PER CIRCUIT		BREAKER RATING PER CIRCUIT		# CKTS	AMPS PER CIRCUIT (including motor)	BREAKER RATING PER CIRCUIT
				120V/1	480V/3	120V/1	480V/3		208V/1	480V/3	208V/1	480V/3		240V/1	480V/3	240V/1	480V/3			
CLC08-1030E	N/A	N/A	-	N/A	N/A	N/A	N/A	-	N/A	N/A	N/A	N/A	-	N/A	N/A	N/A	N/A	N/A	N/A	
	N/A	N/A	-	N/A	N/A	N/A	N/A	-	N/A	N/A	N/A	N/A	-	N/A	N/A	N/A	N/A	N/A	N/A	
	N/A	N/A	-	N/A	N/A	N/A	N/A	-	N/A	N/A	N/A	N/A	-	N/A	N/A	N/A	N/A	N/A	N/A	
	N/A	N/A	-	N/A	N/A	N/A	N/A	-	N/A	N/A	N/A	N/A	-	N/A	N/A	N/A	N/A	N/A	N/A	
CLC08-1036E CLC08-1042E	10 (100)	31	2	3.4	12.0	15	15	2	1.7	12.0	15	15	2	1.7	12.0	15	15	1	12.9	20
	7.5 (075)	23	2	3.4	9.0	15	15	2	1.7	9.0	15	15	2	1.7	9.0	15	15	1	9.9	15
	5.6 (056)	18	-	N/A	N/A	N/A	N/A	-	N/A	N/A	N/A	N/A	-	N/A	N/A	N/A	N/A	-	N/A	N/A
	4 (040)	13	-	N/A	N/A	N/A	N/A	-	N/A	N/A	N/A	N/A	-	N/A	N/A	N/A	N/A	-	N/A	N/A
CLC08-1048E CLC08-1060E	14.4 (144)	34	2	3.4	17.3	15	25	2	1.7	17.3	15	25	2	1.7	17.3	15	25	1	18.2	25
	10.8 (108)	25	2	3.4	13.0	15	20	2	1.7	13.0	15	20	2	1.7	13.0	15	20	1	13.9	20
	8.1 (081)	19	-	N/A	N/A	N/A	N/A	-	N/A	N/A	N/A	N/A	-	N/A	N/A	N/A	N/A	-	N/A	N/A
	5.6 (056)	13	-	N/A	N/A	N/A	N/A	-	N/A	N/A	N/A	N/A	-	N/A	N/A	N/A	N/A	-	N/A	N/A
CLC08-1072E	20 (200)	31	2	3.4	24.1	15	35	2	1.7	24.1	15	35	2	1.7	24.1	15	35	1	25.0	35
	15 (150)	23	2	3.4	18.0	15	25	2	1.7	18.0	15	25	2	1.7	18.0	15	25	1	18.9	25
	11.2 (112)	18	-	N/A	N/A	N/A	N/A	-	N/A	N/A	N/A	N/A	-	N/A	N/A	N/A	N/A	-	N/A	N/A
	8 (080)	13	-	N/A	N/A	N/A	N/A	-	N/A	N/A	N/A	N/A	-	N/A	N/A	N/A	N/A	-	N/A	N/A
CLC08-2084E	20 (200)	27	2	6.8	24.1	15	35	2	3.4	24.1	15	35	2	3.4	24.1	15	35	1	25.9	35
	15 (150)	20	2	6.8	18.0	15	25	2	3.4	18.0	15	25	2	3.4	18.0	15	25	1	19.8	25
	11.2 (112)	15	-	N/A	N/A	N/A	N/A	-	N/A	N/A	N/A	N/A	-	N/A	N/A	N/A	N/A	-	N/A	N/A
	8 (080)	11	-	N/A	N/A	N/A	N/A	-	N/A	N/A	N/A	N/A	-	N/A	N/A	N/A	N/A	-	N/A	N/A
CLC08-2096E CLC08-2108E CLC08-2120E	28.8 (288)	34	2	6.8	34.6	15	45	2	3.4	34.6	15	45	2	3.4	34.6	15	45	1	36.4	50
	21.6 (216)	25	2	6.8	26.0	15	35	2	3.4	26.0	15	35	2	3.4	26.0	15	35	1	27.8	35
	16.2 (162)	19	-	N/A	N/A	N/A	N/A	-	N/A	N/A	N/A	N/A	-	N/A	N/A	N/A	N/A	-	N/A	N/A
	11.2 (112)	13	-	N/A	N/A	N/A	N/A	-	N/A	N/A	N/A	N/A	-	N/A	N/A	N/A	N/A	-	N/A	N/A



COMMERCIAL LOW PROFILE 8

Electric Heated Air Curtain

Electrical Performance Sheet

MODEL	KW (suffix)	Temp Rise °F	120/1/60 - 600/3/60 (voltage code L) 120V MOTOR AMP DRAW = 3.4 each				208/1/60 - 600/3/60 (voltage code M) 208V MOTOR AMP DRAW = 1.7 each				240/1/60 - 600/3/60 (voltage code N) 240V MOTOR AMP DRAW = 1.7 each				600/3/60 (voltage code Q) MOTOR AMP DRAW = 0.6 each					
			# CKTS	AMPS PER CIRCUIT		BREAKER RATING PER CIRCUIT		# CKTS	AMPS PER CIRCUIT		BREAKER RATING PER CIRCUIT		# CKTS	AMPS PER CIRCUIT		BREAKER RATING PER CIRCUIT		# CKTS	AMPS PER CIRCUIT (including motor)	BREAKER RATING PER CIRCUIT
				120V/1	600V/3	120V/1	600V/3		208V/1	600V/3	208V/1	600V/3		240V/1	600V/3	240V/1	600V/3			
CLC08-1030E	N/A	N/A	-	N/A	N/A	N/A	N/A	-	N/A	N/A	N/A	N/A	-	N/A	N/A	N/A	N/A	N/A	N/A	
	N/A	N/A	-	N/A	N/A	N/A	N/A	-	N/A	N/A	N/A	N/A	-	N/A	N/A	N/A	N/A	N/A	N/A	
	N/A	N/A	-	N/A	N/A	N/A	N/A	-	N/A	N/A	N/A	N/A	-	N/A	N/A	N/A	N/A	N/A	N/A	
	N/A	N/A	-	N/A	N/A	N/A	N/A	-	N/A	N/A	N/A	N/A	-	N/A	N/A	N/A	N/A	N/A	N/A	
CLC08-1036E CLC08-1042E	10 (100)	31	2	3.4	9.6	15	15	2	1.7	9.6	15	15	2	1.7	9.6	15	15	1	10.6	15
	7.5 (075)	23	-	N/A	N/A	N/A	N/A	-	N/A	N/A	N/A	N/A	-	N/A	N/A	N/A	N/A	-	N/A	N/A
	5.6 (056)	18	-	N/A	N/A	N/A	N/A	-	N/A	N/A	N/A	N/A	-	N/A	N/A	N/A	N/A	-	N/A	N/A
	4 (040)	13	-	N/A	N/A	N/A	N/A	-	N/A	N/A	N/A	N/A	-	N/A	N/A	N/A	N/A	-	N/A	N/A
CLC08-1048E CLC08-1060E	14.4 (144)	34	2	3.4	13.9	15	20	2	1.7	13.9	15	20	2	1.7	13.9	15	20	1	15.1	20
	10.8 (108)	25	-	N/A	N/A	N/A	N/A	-	N/A	N/A	N/A	N/A	-	N/A	N/A	N/A	N/A	-	N/A	N/A
	8.1 (081)	19	-	N/A	N/A	N/A	N/A	-	N/A	N/A	N/A	N/A	-	N/A	N/A	N/A	N/A	-	N/A	N/A
	5.6 (056)	13	-	N/A	N/A	N/A	N/A	-	N/A	N/A	N/A	N/A	-	N/A	N/A	N/A	N/A	-	N/A	N/A
CLC08-1072E	20 (200)	31	2	3.4	19.2	15	25	2	1.7	19.2	15	25	2	1.7	19.2	15	25	1	20.7	30
	15 (150)	23	-	N/A	N/A	N/A	N/A	-	N/A	N/A	N/A	N/A	-	N/A	N/A	N/A	N/A	-	N/A	N/A
	11.2 (112)	18	-	N/A	N/A	N/A	N/A	-	N/A	N/A	N/A	N/A	-	N/A	N/A	N/A	N/A	-	N/A	N/A
	8 (080)	13	-	N/A	N/A	N/A	N/A	-	N/A	N/A	N/A	N/A	-	N/A	N/A	N/A	N/A	-	N/A	N/A
CLC08-2084E	20 (200)	27	2	6.8	19.2	15	25	2	3.4	19.2	15	25	2	3.4	19.2	15	25	1	21.3	30
	15 (150)	20	-	N/A	N/A	N/A	N/A	-	N/A	N/A	N/A	N/A	-	N/A	N/A	N/A	N/A	-	N/A	N/A
	11.2 (112)	15	-	N/A	N/A	N/A	N/A	-	N/A	N/A	N/A	N/A	-	N/A	N/A	N/A	N/A	-	N/A	N/A
	8 (080)	11	-	N/A	N/A	N/A	N/A	-	N/A	N/A	N/A	N/A	-	N/A	N/A	N/A	N/A	-	N/A	N/A
CLC08-2096E CLC08-2108E CLC08-2120E	28.8 (288)	34	2	6.8	27.7	15	35	2	3.4	27.7	15	35	2	3.4	27.7	15	35	1	30.1	40
	21.6 (216)	25	-	N/A	N/A	N/A	N/A	-	N/A	N/A	N/A	N/A	-	N/A	N/A	N/A	N/A	-	N/A	N/A
	16.2 (162)	19	-	N/A	N/A	N/A	N/A	-	N/A	N/A	N/A	N/A	-	N/A	N/A	N/A	N/A	-	N/A	N/A
	11.2 (112)	13	-	N/A	N/A	N/A	N/A	-	N/A	N/A	N/A	N/A	-	N/A	N/A	N/A	N/A	-	N/A	N/A



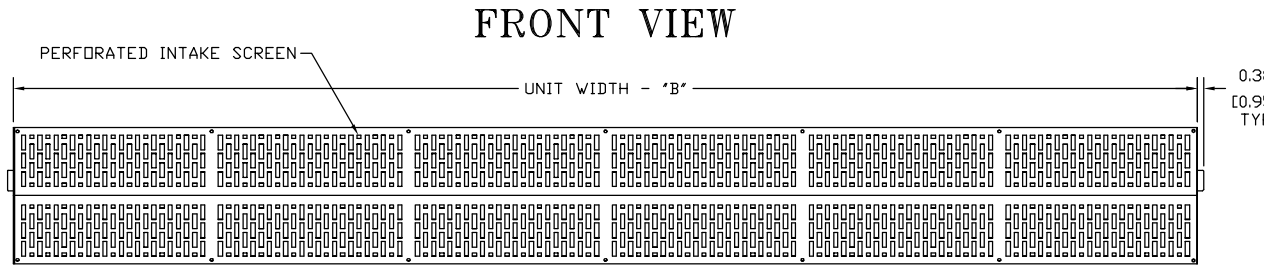
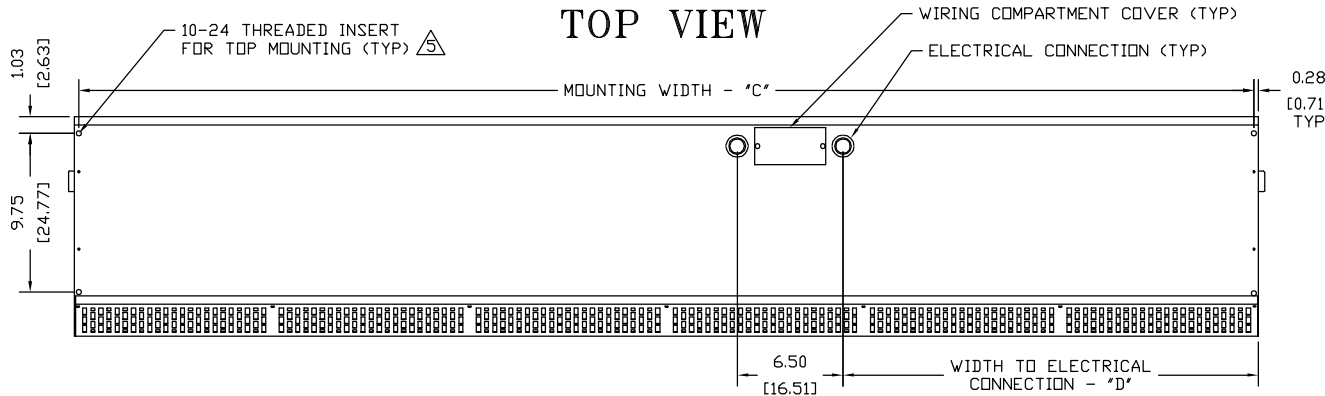
COMMERCIAL LOW PROFILE 8

Electric Heated Air Curtain

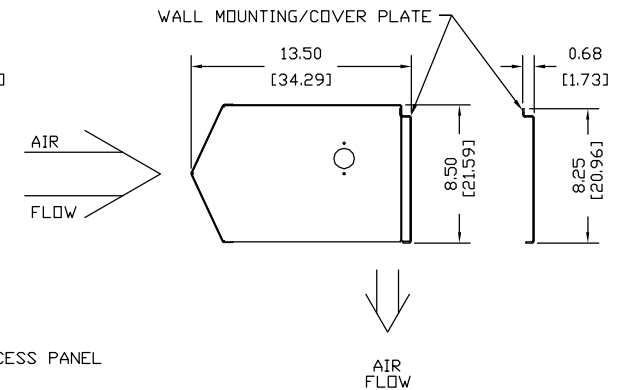
Electrical Performance Sheet

380/3/50 (voltage code O) MOTOR AMP DRAW = 1.7 each					
MODEL	KW (suffix)	Temp Rise °F	# CKTS	AMPS PER CIRCUIT (including motor)	BREAKER RATING PER CIRCUIT
CLC08-1030E	N/A	N/A	-	N/A	N/A
	N/A	N/A	-	N/A	N/A
	N/A	N/A	-	N/A	N/A
	N/A	N/A	-	N/A	N/A
CLC08-1036E CLC08-1042E	10 (100)	31	1	16.9	25
	7.5 (075)	23	1	13.1	20
	5.6 (056)	18	1	10.2	15
	4 (040)	13	-	N/A	N/A
CLC08-1048E CLC08-1060E	14.4 (144)	34	1	23.6	30
	10.8 (108)	25	1	18.1	25
	8.1 (081)	19	1	14.0	20
	5.6 (056)	13	-	N/A	N/A
CLC08-1072E	20 (200)	31	1	32.1	45
	15 (150)	23	1	24.5	35
	11.2 (112)	18	1	18.7	25
	8 (080)	13	-	N/A	N/A
CLC08-2084E	20 (200)	27	1	33.8	45
	15 (150)	20	1	26.2	35
	11.2 (112)	15	1	20.4	30
	8 (080)	11	-	N/A	N/A
CLC08-2096E CLC08-2108E CLC08-2120E	28.8 (288)	34	1	47.2	60
	21.6 (216)	25	1	36.2	45
	16.2 (162)	19	1	28.0	35
	11.2 (112)	13	-	N/A	N/A

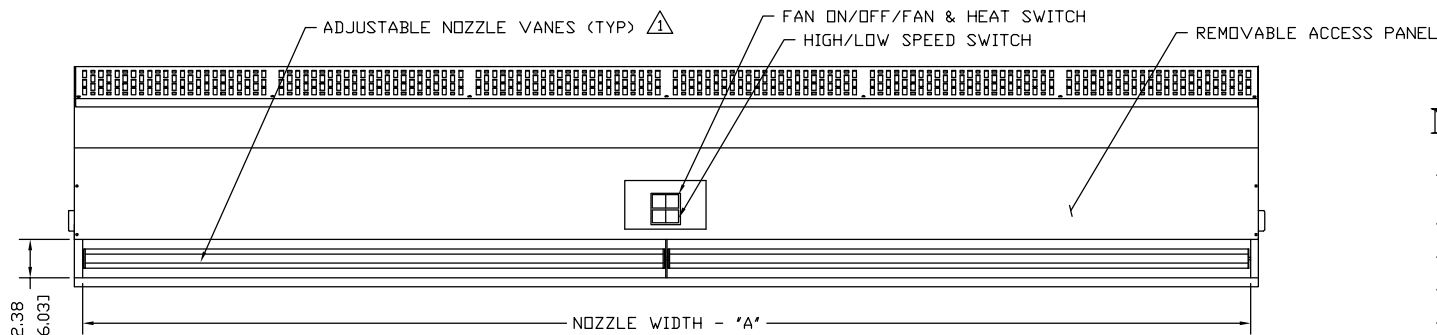
CLC08 ELECTRIC HEATED



END VIEW



BOTTOM VIEW



NOTES:

- ① AIR CURTAIN MUST BE INSTALLED SO AIR STREAM IS NOT OBSTRUCTED WHEN DEFLECTED 20° TO EITHER SIDE OF C.
- ② ELECTRICAL CONNECTIONS TO BE FLEXIBLE.
- ③ FIELD VERIFY DIMENSIONS.
- ④ ANCHORS TO SUPPORTING STRUCTURE BY OTHERS.
- ⑤ ADEQUACY OF SUPPORTING STRUCTURE IS TO BE VERIFIED BY A PROFESSIONAL STRUCTURAL ENGINEER.
- ⑥ LETTER 'E' IN MODEL NUMBER DESIGNATES ELECTRIC HEATED UNIT.
- ⑦ DIMENSIONS IN INCHES [CENTIMETERS].

MODEL ⑥	NOZZLE WIDTH 'A'	UNIT WIDTH 'B'	MOUNTING WIDTH 'C'	ELECTRIC WIDTH 'D'
CLC08-1030E	27.44 [69.69]	28.88 [73.35]	28.32 [71.93]	13.13 [33.34]
CLC08-1036E	34.62 [87.95]	36.06 [91.60]	35.50 [90.17]	7.13 [18.10]
CLC08-1042E	40.62 [103.17]	42.06 [106.83]	41.50 [105.41]	13.13 [33.34]
CLC08-1048E	46.62 [118.41]	48.06 [122.07]	47.50 [120.65]	13.13 [33.34]
CLC08-1060E	58.13 [147.65]	59.55 [151.26]	59.00 [149.86]	18.88 [47.94]
CLC08-1072E	71.37 [181.28]	72.81 [184.94]	72.25 [183.52]	25.50 [64.80]
CLC08-2084E	83.50 [212.09]	84.94 [215.74]	84.38 [214.31]	13.13 [33.34]
CLC08-2096E	95.50 [242.57]	96.94 [246.23]	96.38 [244.79]	13.13 [33.34]
CLC08-2108E	107.00 [271.78]	108.44 [275.44]	107.88 [274.00]	18.88 [47.94]
CLC08-2120E	118.50 [300.99]	119.94 [304.65]	119.38 [303.21]	18.88 [47.94]

PROJECT		
LOCATION		
ARCHITECT		
ENGINEER		
DWG. NO.	CLC08-ELE	TITLE: BERNER
DATE	28MAR2016	MODEL CLC08 AIR CURTAIN
BY	S. Beil	ELECTRIC HEATED SYSTEM
REPLACES	14OCT14	
BY	S. Beil	BERNER INTERNATIONAL CORP. NEW CASTLE, PA.