

# Haier

## Submittals

### FlexFit Single Series

Rev. May 2017



**1U12LC2VHA / AB12SC2VH\***

**1U12LC2VHA / AD12SL2VH\***

**1U12LC2VHA / AW12LC2VH\***

**1U18LC2VHA / AB18SC2VHA**

**1U18LC2VHA / AD18SL2VH\***

**1U18LC2VHA / AW18LC2VH\***



**HaierAmerica**

1800 Valley Road  
Wayne, NJ 07470  
Tel +973.617.1800  
[www.Haier.com](http://www.Haier.com)



### **Revision History**

**Rev. Jan. 2017** - Submittal edition release.

**Rev. May 2017** - Correction: (1U12LC2VHA/AD12SL2VH\*, 1U18LC2VHA/AD18SL2VH\*) Ships with YR-E17, compatible with YR-E16

# Haier FlexFit Single Series Submittal

12000 BTU/HR COMPACT CASSETTE TYPE INDOOR INVERTER DRIVEN HEAT PUMP SYSTEM

**1U12LC2VHA / AB12SC2VH\***

Job Name: \_\_\_\_\_

Purchaser: \_\_\_\_\_

Submitted To: \_\_\_\_\_

Construction: \_\_\_\_\_

Reference: \_\_\_\_\_

Approval: \_\_\_\_\_

Date: \_\_\_\_\_

Submitted By: \_\_\_\_\_

Unit: \_\_\_\_\_

Drawing #: \_\_\_\_\_



## Accessories

### Remote Controller

Ships with YR-HG

### Wired Thermostat

Compatible with YR-E17

Compatible with YR-E16

## Electrical Requirement

Power Supply	208/230V, 1 Phase, 60 HZ
Operating Voltage Range	187~253 VAC
Recommended Fuse/Breaker Size	15A
MCA	15A

## Operating Range

Cooling	0~115°F (-18~46°C)
Heating	5~75°F (-15~24°C)

## Cooling Performance

Rated Cooling Capacity	10,000 BTU
Cooling Capacity Range	4,000~12,000 BTU
Rated Power input	1,300 W
SEER	16.0
EER	10.0

## Heating Performance

Rated Heating Capacity	11,500 BTU
Heating Capacity Range	5,000~13,000 BTU
HSPF	9.0

## Pipe Length

Maximum Pipe Length	50 ft
Maximum Pipe Height Difference	33 ft
Connection	1/4" (Discharge) 3/8" (Suction) Flare

HaierAmerica

1800 Valley Road  
Wayne, NJ 07470  
Tel +973.617.1800  
www.Haier.com



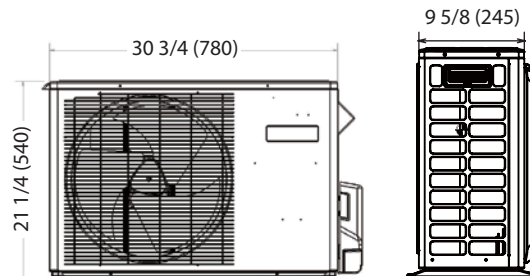
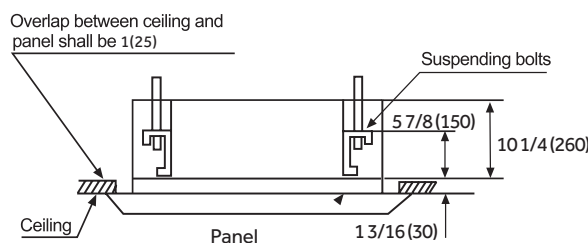
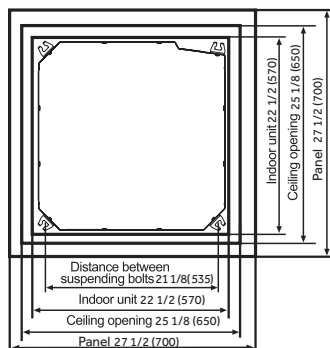
# Haier FlexFit Single Series Submittal

12000 BTU/HR COMPACT CASSETTE TYPE INDOOR INVERTER DRIVEN HEAT PUMP SYSTEM

## 1U12LC2VHA / AB12SC2VH\*

Indoor Unit	
Uncrated Dimension (HxWxD)	10 1/4 x 22 1/2 x 22 1/2 in (260 x 570 x 570 mm)
Crated (HxWxD)	15 x 28 1/4 x 26 3/4 in (380 x 718 x 680 mm)
Panel Uncrated Dimension (HxWxD)	2 3/8 x 27 1/2 x 27 1/2 in (60 x 700 x 700 mm)
Panel Crated (HxWxD)	4 1/2 x 29 1/8 x 29 1/8 in (115 x 718 x 718 mm)
Airflow CFM (Turbo/High/Med/Low/Quiet)	410/365/305/265/205
Indoor Sound Level dB (Turbo/High/Med/Low/Quiet)	42/40/36/32/25
Heat Exchanger Fin Type	Blue Fin
Weight (Ship/Net)	48.5/40.8 lbs

Outdoor Unit	
Compressor	DC inverter Driven Rotary
Uncrated Dimension (HxWxD)	21 1/4 x 30 3/4 x 9 5/8 in (540 x 780 x 245 mm)
Crated (HxWxD)	24 3/8 x 36 1/4 x 13 7/8 in (620 x 920 x 351 mm)
Outdoor Sound Rating dB	53
Heat Exchanger Fin Type	Blue Fin
Weight (Ship/Net)	75.4/68.8 lbs
Factory Refrigerant Charge	R-410A (42.32 oz)



### Heating Capacity Data

Outdoor Air Temp DB	Indoor Set Temperature					
	60°F (16°C)		70°F (21°C)		77°F (25°C)	
	Maximum Heating Capacity (Btu/h)	Power Usage (w)	Max Heating Capacity (Btu/h)	Power Usage (w)	Max Heating Capacity (Btu/h)	Power Usage (w)
5°F (-15°C)	7,700	990	7,300	1,160	7,100	1,170
17°F (-8°C)	10,950	1,100	10,700	1,090	9,580	1,310
47°F (8°C)	15,650	1,260	14,700	1,390	13,220	1,520

Capacity and power usage are measured under the assumption of indoor humidity of 46%

### Cooling Capacity Data

Outdoor Air Temp DB	Indoor Set Temperature					
	70°F (21°C)		75°F (24°C)		80°F (27°C)	
	Total Capacity (Btu/h)	Power Usage (w)	Total Capacity (Btu/h)	Power Usage (w)	Total Capacity (Btu/h)	Power Usage (w)
0°F (-18°C)	8,640	220	8,930	220	9,600	230
14°F (-10°C)	8,640	280	8,930	280	9,600	290
32°F (0°C)	8,640	280	8,930	280	9,600	290
50°F (10°C)	8,640	280	8,930	280	9,600	290
65°F (18°C)	9,450	450	9,770	460	10,500	470
75°F (24°C)	9,090	480	9,390	490	10,100	500
85°F (29°C)	11,070	910	11,440	930	12,300	960
95°F (35°C)	11,250	1,220	11,630	1,240	12,500	1,280
105°F (41°C)	9,900	1,090	10,230	1,120	11,000	1,150
115°F (46°C)	8,100	870	8,370	890	9,000	920

Capacity and power usage are measured under the assumption of indoor humidity of 46%

# Haier FlexFit Single Series Submittal

## 12000 BTU/HR SLIM DUCT TYPE INDOOR INVERTER DRIVEN HEAT PUMP SYSTEM 1U12LC2VHA / AD12SL2VH\*

Job Name: \_\_\_\_\_

Purchaser: \_\_\_\_\_

Submitted To: \_\_\_\_\_

Construction: \_\_\_\_\_

Reference: \_\_\_\_\_

Approval: \_\_\_\_\_

Date: \_\_\_\_\_

Submitted By: \_\_\_\_\_

Unit: \_\_\_\_\_

Drawing #: \_\_\_\_\_



### Accessories

#### Remote Controller

Not compatible

#### Wired Thermostat

Ships with YR-E17

Compatible with YR-E16

### Electrical Requirement

Power Supply	208/230V, 1 Phase, 60 HZ
Operating Voltage Range	187~253 VAC
Recommended Fuse/Breaker Size	15A
MCA	15A

### Operating Range

Cooling	0~115°F (-18~46°C)
Heating	5~75°F (-15~24°C)

### Cooling Performance

Rated Cooling Capacity	10,000 BTU
Cooling Capacity Range	4,000~12,000 BTU
Rated Power input	1,300 W
SEER	16.0
EER	9.0

### Heating Performance

Rated Heating Capacity	11,500 BTU
Heating Capacity Range	5,000~13,000 BTU
HSPF	8.2

### Pipe Length

Maximum Pipe Length	50 ft
Maximum Pipe Height Difference	33 ft
Connection	1/4" (Discharge) 3/8" (Suction) Flare



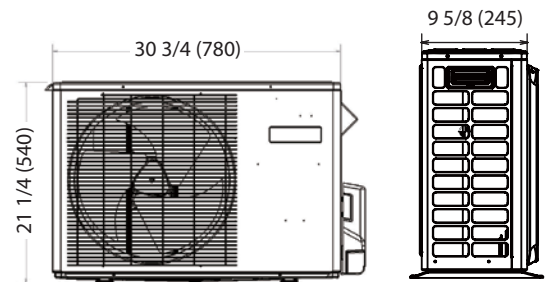
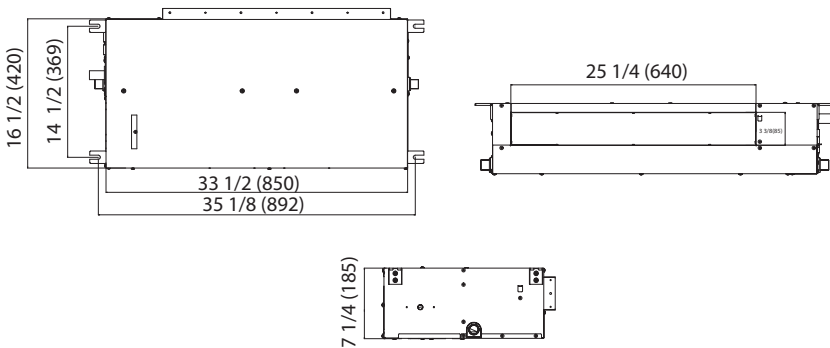
# Haier FlexFit Single Series Submittal

12000 BTU/HR SLIM DUCT TYPE INDOOR INVERTER DRIVEN HEAT PUMP SYSTEM

**1U12LC2VHA / AD12SL2VH\***

Indoor Unit	
Uncrated Dimension (HxWxD)	7 1/4 x 33 1/2 x 16 1/2 in (185 x 850 x 420 mm)
Crated (HxWxD)	10 3/8 x 40 3/4 x 21 1/4 in (265 x 1035 x 540 mm)
Airflow CFM (Turbo/High/Med/Low/Quiet)	400/353/282/247/218
Indoor Sound Level dB (Turbo/High/Med/Low/Quiet)	38/35/29/26/23
Heat Exchanger Fin Type	Blue Fin
Weight (Ship/Net)	47.2/36.8 lbs

Outdoor Unit	
Compressor	DC inverter Driven Rotary
Uncrated Dimension (HxWxD)	21 1/4 x 30 3/4 x 9 5/8 in (540 x 780 x 245 mm)
Crated (HxWxD)	24 3/8 x 36 1/4 x 13 7/8 in (620 x 920 x 351 mm)
Outdoor Sound Rating dB	53
Heat Exchanger Fin Type	Blue Fin
Weight (Ship/Net)	75.4/68.8 lbs
Factory Refrigerant Charge	R-410A (42.32 oz)



## Heating Capacity Data

Outdoor Air Temp DB	Indoor Set Temperature					
	60°F (16°C)		70°F (21°C)		77°F (25°C)	
	Maximum Heating Capacity (Btu/h)	Power Usage (w)	Max Heating Capacity (Btu/h)	Power Usage (w)	Max Heating Capacity (Btu/h)	Power Usage (w)
5°F (-15°C)	7,700	990	7,300	1,160	7,100	1,170
17°F (-8°C)	10,950	1,100	10,700	1,090	9,580	1,310
47°F (8°C)	15,650	1,260	14,700	1,390	13,220	1,520

Capacity and power usage are measured under the assumption of indoor humidity of 46%

## Cooling Capacity Data

Outdoor Air Temp DB	Indoor Set Temperature					
	70°F (21°C)		75°F (24°C)		80°F (27°C)	
	Total Capacity (Btu/h)	Power Usage (w)	Total Capacity (Btu/h)	Power Usage (w)	Total Capacity (Btu/h)	Power Usage (w)
0°F (-18°C)	8,640	220	8,930	220	9,600	230
14°F (-10°C)	8,640	280	8,930	280	9,600	290
32°F (0°C)	8,640	280	8,930	280	9,600	290
50°F (10°C)	8,640	280	8,930	280	9,600	290
65°F (18°C)	9,450	450	9,770	460	10,500	470
75°F (24°C)	9,090	480	9,390	490	10,100	500
85°F (29°C)	11,070	910	11,440	930	12,300	960
95°F (35°C)	11,250	1,220	11,630	1,240	12,500	1,280
105°F (41°C)	9,900	1,090	10,230	1,120	11,000	1,150
115°F (46°C)	8,100	870	8,370	890	9,000	920

Capacity and power usage are measured under the assumption of indoor humidity of 46%

# Haier FlexFit Single Series Submittal

12000 BTU/HR WALL MOUNTED INVERTER DRIVEN HEAT PUMP SYSTEM

1U12LC2VHA / AW12LC2VH\*

Job Name: \_\_\_\_\_

Purchaser: \_\_\_\_\_

Submitted To: \_\_\_\_\_

Construction: \_\_\_\_\_

Reference: \_\_\_\_\_

Approval: \_\_\_\_\_

Date: \_\_\_\_\_

Submitted By: \_\_\_\_\_

Unit: \_\_\_\_\_

Drawing #: \_\_\_\_\_



## Accessories

### Remote Controller

Ships with YR-HG

### Wired Thermostat

Compatible with YR-E17 with interface kit WK-B

Compatible with YR-E16 with interface kit WK-B

### WiFi

Compatible with WiFi USB adapter KZW-W002

## Electrical Requirement

Power Supply	208/230V, 1 Phase, 60 HZ
Operating Voltage Range	187~253 VAC
Recommended Fuse/Breaker Size	15A
MCA	15A

## Operating Range

Cooling	0~115°F (-18~46°C)
Heating	5~75°F (-15~24°C)

## Cooling Performance

Rated Cooling Capacity	12,000 BTU
Cooling Capacity Range	4,780~13,300 BTU
Rated Power input	1,180 W
SEER	18.0
EER	10.5

## Heating Performance

Rated Heating Capacity	13,500 BTU
Heating Capacity Range	4,780~13,000 BTU
HSPF	9.5

## Pipe Length

Maximum Pipe Length	50 ft
Maximum Pipe Height Difference	33 ft
Connection	1/4" (Discharge) 3/8" (Suction) Flare





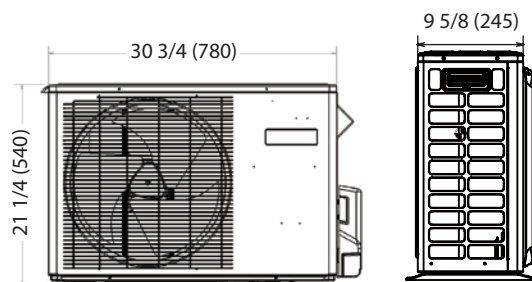
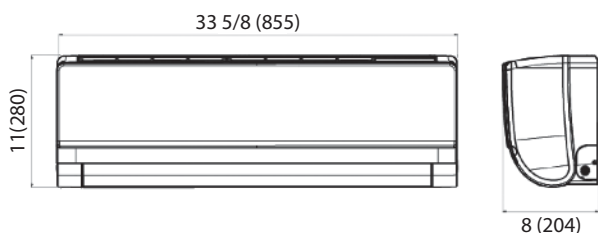
# Haier FlexFit Single Series Submittal

12000 BTU/HR WALL MOUNTED INVERTER DRIVEN HEAT PUMP SYSTEM

1U12LC2VHA / AW12LC2VH\*

Indoor Unit	
Uncrated Dimension (HxWxD)	11 x 33 5/8 x 8 in (280 x 855 x 204 mm)
Crated (HxWxD)	14 x 37 1/2 x 11 in (355 x 954 x 279 mm)
Airflow CFM (Turbo/High/Med/Low/Quiet)	353/294/277/259/230
Indoor Sound Level dB (Turbo/High/Med/Low/Quiet)	40/34/27/23
Heat Exchanger Fin Type	Blue Fin
Weight (Ship/Net)	26.9/22.0 lbs

Outdoor Unit	
Compressor	DC inverter Driven Rotary
Uncrated Dimension (HxWxD)	21 1/4 x 30 3/4 x 9 5/8 in (540 x 780 x 245 mm)
Crated (HxWxD)	24 3/8 x 36 1/4 x 13 7/8 in (620 x 920 x 351 mm)
Outdoor Sound Rating dB	53
Heat Exchanger Fin Type	Blue Fin
Weight (Ship/Net)	75.4/68.8 lbs
Factory Refrigerant Charge	R-410A (42.32 oz)



## Heating Capacity Data

Outdoor Air Temp DB	Indoor Set Temperature					
	60°F (16°C)		70°F (21°C)		77°F (25°C)	
	Maximum Heating Capacity (Btu/h)	Power Usage (w)	Max Heating Capacity (Btu/h)	Power Usage (w)	Max Heating Capacity (Btu/h)	Power Usage (w)
5°F (-15°C)	7,700	990	7,300	1,160	7,100	1,170
17°F (-8°C)	10,950	1,100	10,700	1,090	9,580	1,310
47°F (8°C)	15,650	1,260	14,700	1,390	13,220	1,520

Capacity and power usage are measured under the assumption of indoor humidity of 46%

## Cooling Capacity Data

Outdoor Air Temp DB	Indoor Set Temperature					
	70°F (21°C)		75°F (24°C)		80°F (27°C)	
	Total Capacity (Btu/h)	Power Usage (w)	Total Capacity (Btu/h)	Power Usage (w)	Total Capacity (Btu/h)	Power Usage (w)
0°F (-18°C)	8,640	220	8,930	220	9,600	230
14°F (-10°C)	8,640	280	8,930	280	9,600	290
32°F (0°C)	8,640	280	8,930	280	9,600	290
50°F (10°C)	8,640	280	8,930	280	9,600	290
65°F (18°C)	9,450	450	9,770	460	10,500	470
75°F (24°C)	9,090	480	9,390	490	10,100	500
85°F (29°C)	11,070	910	11,440	930	12,300	960
95°F (35°C)	11,250	1,220	11,630	1,240	12,500	1,280
105°F (41°C)	9,900	1,090	10,230	1,120	11,000	1,150
115°F (46°C)	8,100	870	8,370	890	9,000	920

Capacity and power usage are measured under the assumption of indoor humidity of 46%



# Haier FlexFit Single Series Submittal

18000 BTU/HR CASSETTE TYPE INDOOR INVERTER DRIVEN HEAT PUMP SYSTEM

**1U18LC2VHA / AB18SC2VHA**

Job Name: \_\_\_\_\_

Purchaser: \_\_\_\_\_

Submitted To: \_\_\_\_\_

Construction: \_\_\_\_\_

Reference: \_\_\_\_\_

Approval: \_\_\_\_\_

Date: \_\_\_\_\_

Submitted By: \_\_\_\_\_

Unit: \_\_\_\_\_

Drawing #: \_\_\_\_\_



## Accessories

### Remote Controller

Ships with YR-HG

### Wired Thermostat

Compatible with YR-E17

Compatible with YR-E16

### Electrical Requirement

Power Supply	208/230V, 1 Phase, 60 HZ
Operating Voltage Range	187~253 VAC
Recommended Fuse/Breaker Size	20A
MCA	17A

### Operating Range

Cooling	0~115°F (-18~46°C)
Heating	5~75°F (-15~24°C)

### Cooling Performance

Rated Cooling Capacity	15,000 BTU
Cooling Capacity Range	5,000~18,000 BTU
Rated Power input	1,700 W
SEER	16.0
EER	9.0

### Heating Performance

Rated Heating Capacity	16,000 BTU
Heating Capacity Range	5,400~18,000 BTU
HSPF	9.0

### Pipe Length

Maximum Pipe Length	83 ft
Maximum Pipe Height Difference	50 ft
Connection	1/4" (Discharge) 1/2" (Suction) Flare



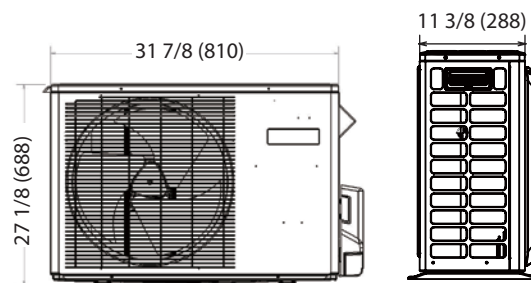
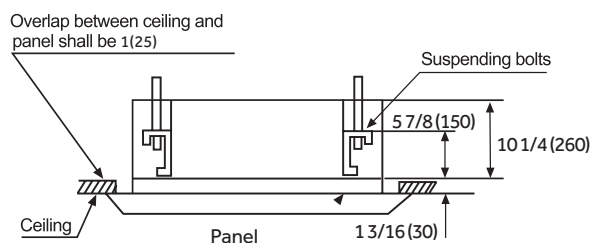
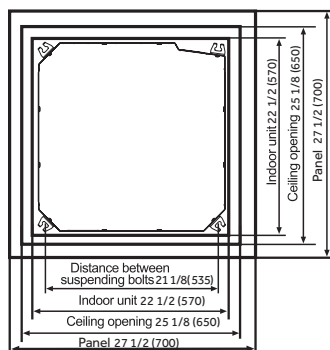
# Haier FlexFit Single Series Submittal

18000 BTU/HR CASSETTE TYPE INDOOR INVERTER DRIVEN HEAT PUMP SYSTEM

## 1U18LC2VHA / AB18SC2VHA

Indoor Unit	
Uncrated Dimension (HxWxD)	10 1/4 x 22 1/2 x 22 1/2 in (260 x 570 x 570 mm)
Crated (HxWxD)	15 x 28 1/4 x 26 3/4 in (380 x 718 x 680 mm)
Panel Uncrated Dimension (HxWxD)	2 3/8 x 27 1/2 x 27 1/2 in (60 x 700 x 700 mm)
Panel Crated (HxWxD)	4 1/2 x 29 1/8 x 29 1/8 in (115 x 718 x 718 mm)
Airflow CFM (Turbo/High/Med/Low/Quiet)	470/410/365/295/252
Indoor Sound Level dB (Turbo/High/Med/Low/Quiet)	45/42/40/36/32
Heat Exchanger Fin Type	Blue Fin
Weight (Ship/Net)	48.5/40.8 lbs

Outdoor Unit	
Compressor	DC inverter Driven Rotary
Uncrated Dimension (HxWxD)	27 1/8 x 31 7/8 x 11 3/8 in (688 x 810 x 288 mm)
Crated (HxWxD)	29 3/8 x 37 3/8 x 16 in (745 x 949 x 406 mm)
Outdoor Sound Rating dB	54
Heat Exchanger Fin Type	Blue Fin
Weight (Ship/Net)	100.3/94.8 lbs
Factory Refrigerant Charge	R-410A (45.86 oz)



### Heating Capacity Data

Outdoor Air Temp DB	Indoor Set Temperature					
	60°F (16°C)		70°F (21°C)		77°F (25°C)	
	Maximum Heating Capacity (Btu/h)	Power Usage (w)	Max Heating Capacity (Btu/h)	Power Usage (w)	Max Heating Capacity (Btu/h)	Power Usage (w)
5°F (-15°C)	10,480	1,250	9,520	1,350	9,010	1,470
17°F (-8°C)	15,320	1,350	14,330	1,330	13,010	1,610
47°F (8°C)	21,900	1,550	20,310	1,710	18,760	1,860

Capacity and power usage are measured under the assumption of indoor humidity of 46%

### Cooling Capacity Data

Outdoor Air Temp DB	Indoor Set Temperature					
	70°F (21°C)		75°F (24°C)		80°F (27°C)	
	Total Capacity (Btu/h)	Power Usage (w)	Total Capacity (Btu/h)	Power Usage (w)	Total Capacity (Btu/h)	Power Usage (w)
0°F (-18°C)	8,640	620	8,930	630	14,400	650
14°F (-10°C)	8,640	670	8,930	680	14,400	700
32°F (0°C)	8,640	670	8,930	680	14,400	700
50°F (10°C)	8,640	670	8,930	680	14,400	700
65°F (18°C)	16,650	760	17,210	780	18,500	800
75°F (24°C)	16,470	770	17,020	790	18,300	810
85°F (29°C)	16,200	1,480	16,740	1,510	18,000	1,560
95°F (35°C)	17,100	1,960	17,670	2,000	19,000	2,060
105°F (41°C)	13,950	1,660	14,420	1,700	15,500	1,750
115°F (46°C)	13,050	1,250	13,490	1,280	14,500	1,320

Capacity and power usage are measured under the assumption of indoor humidity of 46%

# Haier FlexFit Single Series Submittal

18000 BTU/HR SLIM DUCT TYPE INDOOR INVERTER DRIVEN HEAT PUMP SYSTEM

**1U18LC2VHA / AD18SL2VH\***

Job Name: \_\_\_\_\_

Purchaser: \_\_\_\_\_

Submitted To: \_\_\_\_\_

Construction: \_\_\_\_\_

Reference: \_\_\_\_\_

Approval: \_\_\_\_\_

Date: \_\_\_\_\_

Submitted By: \_\_\_\_\_

Unit: \_\_\_\_\_

Drawing #: \_\_\_\_\_



## Accessories

### Remote Controller

Not compatible

### Wired Thermostat

Ships with YR-E17

Compatible with YR-E16

### Electrical Requirement

Power Supply	208/230V, 1 Phase, 60 HZ
Operating Voltage Range	187~253 VAC
Recommended Fuse/Breaker Size	20A
MCA	17A

### Operating Range

Cooling	0~115°F (-18~46°C)
Heating	5~75°F (-15~24°C)

### Cooling Performance

Rated Cooling Capacity	15,000 BTU
Cooling Capacity Range	5,000~18,000 BTU
Rated Power input	1,700 W
SEER	15.0
EER	9.0

### Heating Performance

Rated Heating Capacity	16,000 BTU
Heating Capacity Range	5,400~18,000 BTU
HSPF	9.5

### Pipe Length

Maximum Pipe Length	83 ft
Maximum Pipe Height Difference	50 ft
Connection	1/4"(Discharge) 1/2"(Suction) Flare



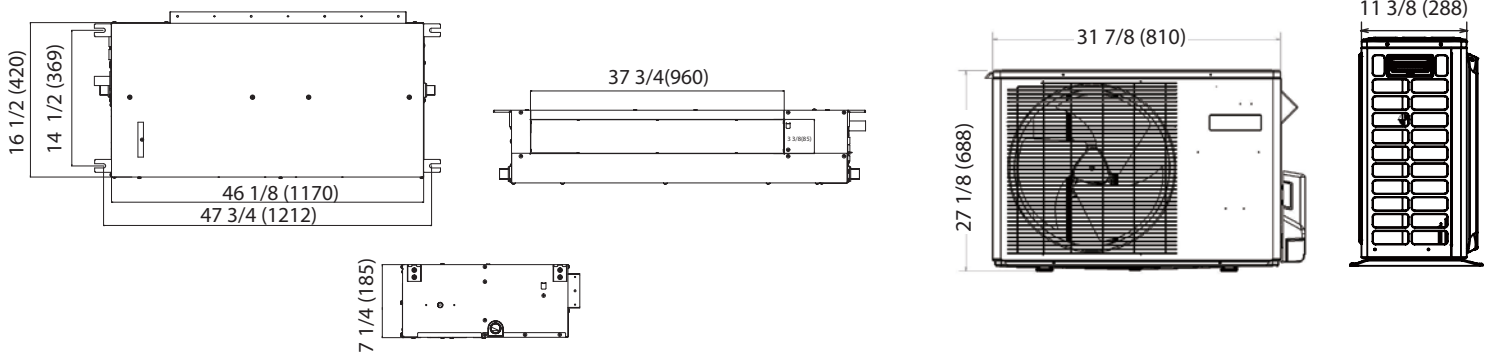
# Haier FlexFit Single Series Submittal

18000 BTU/HR SLIM DUCT TYPE INDOOR INVERTER DRIVEN HEAT PUMP SYSTEM

**1U18LC2VHA / AD18SL2VH\***

Indoor Unit	
Uncrated Dimension (HxWxD)	7 1/4 x 46 1/8 x 16 1/2 in (185 x 1170 x 420 mm)
Crated (HxWxD)	10 5/8 53 3/4 21 1/4 in (270 x 1365 x 540 mm)
Airflow CFM (Turbo/High/Med/Low/Quiet)	540/500/447/365/306
Indoor Sound Level dB (Turbo/High/Med/Low/Quiet)	31/29/23/29/25
Heat Exchanger Fin Type	Blue Fin
Weight (Ship/Net)	62.4/48.5 lbs

Outdoor Unit	
Compressor	DC inverter Driven Rotary
Uncrated Dimension (HxWxD)	27 1/8 x 31 7/8 x 11 3/8 in (688 x 810 x 288 mm)
Crated (HxWxD)	29 3/8 x 37 3/8 x 16 in (745 x 949 x 406 mm)
Outdoor Sound Rating dB	54
Heat Exchanger Fin Type	Blue Fin
Weight (Ship/Net)	100.3/94.8 lbs
Factory Refrigerant Charge	R-410A (45.86 oz)



## Heating Capacity Data

Outdoor Air Temp DB	Indoor Set Temperature					
	60°F (16°C)		70°F (21°C)		77°F (25°C)	
	Maximum Heating Capacity (Btu/h)	Power Usage (w)	Max Heating Capacity (Btu/h)	Power Usage (w)	Max Heating Capacity (Btu/h)	Power Usage (w)
5°F (-15°C)	10,480	1,250	9,520	1,350	9,010	1,470
17°F (-8°C)	15,320	1,350	14,330	1,330	13,010	1,610
47°F (8°C)	21,900	1,550	20,310	1,710	18,760	1,860

Capacity and power usage are measured under the assumption of indoor humidity of 46%

## Cooling Capacity Data

Outdoor Air Temp DB	Indoor Set Temperature					
	70°F (21°C)		75°F (24°C)		80°F (27°C)	
	Total Capacity (Btu/h)	Power Usage (w)	Total Capacity (Btu/h)	Power Usage (w)	Total Capacity (Btu/h)	Power Usage (w)
0°F (-18°C)	8,640	620	8,930	630	14,400	650
14°F (-10°C)	8,640	670	8,930	680	14,400	700
32°F (0°C)	8,640	670	8,930	680	14,400	700
50°F (10°C)	8,640	670	8,930	680	14,400	700
65°F (18°C)	16,650	760	17,210	780	18,500	800
75°F (24°C)	16,470	770	17,020	790	18,300	810
85°F (29°C)	16,200	1,480	16,740	1,510	18,000	1,560
95°F (35°C)	17,100	1,960	17,670	2,000	19,000	2,060
105°F (41°C)	13,950	1,660	14,420	1,700	15,500	1,750
115°F (46°C)	13,050	1,250	13,490	1,280	14,500	1,320

Capacity and power usage are measured under the assumption of indoor humidity of 46%

# Haier FlexFit Single Series Submittal

18000 BTU/HR WALL MOUNTED INVERTER DRIVEN HEAT PUMP SYSTEM

1U18LC2VHA / AW18LC2VH\*

Job Name: \_\_\_\_\_

Purchaser: \_\_\_\_\_

Submitted To: \_\_\_\_\_

Construction: \_\_\_\_\_

Reference: \_\_\_\_\_

Approval: \_\_\_\_\_

Date: \_\_\_\_\_

Submitted By: \_\_\_\_\_

Unit: \_\_\_\_\_

Drawing #: \_\_\_\_\_



## Accessories

### Remote Controller

Ships with YR-HG

### Wired Thermostat

Compatible with YR-E17 with interface kit WK-B

Compatible with YR-E16 with interface kit WK-B

### WiFi

Compatible with WiFi USB adapter KZW-W002

## Electrical Requirement

Power Supply	208/230V, 1 Phase, 60 HZ
Operating Voltage Range	187~253 VAC
Recommended Fuse/Breaker Size	20A
MCA	17A

## Operating Range

Cooling	0~115°F (-18~46°C)
Heating	5~75°F (-15~24°C)

## Cooling Performance

Rated Cooling Capacity	17,000 BTU
Cooling Capacity Range	5,100~19,000 BTU
Rated Power input	1,530 W
SEER	18.0
EER	11.0

## Heating Performance

Rated Heating Capacity	18,000 BTU
Heating Capacity Range	5,400~20,400 BTU
HSPF	9.0

## Pipe Length

Maximum Pipe Length	83 ft
Maximum Pipe Height Difference	50 ft
Connection	1/4" (Discharge) 1/2" (Suction) Flare



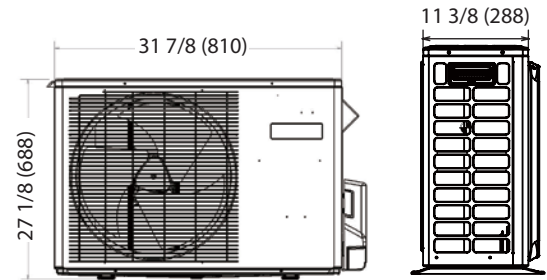
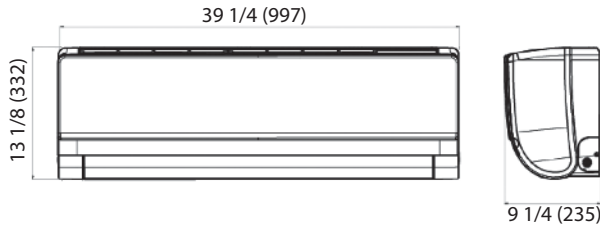
# Haier FlexFit Single Series Submittal

18000 BTU/HR WALL MOUNTED INVERTER DRIVEN HEAT PUMP SYSTEM

1U18LC2VHA / AW18LC2VH\*

Indoor Unit	
Uncrated Dimension (HxWxD)	13 1/8 x 39 1/4 x 9 1/4 in (332 x 997 x 235 mm)
Crated (HxWxD)	15 7/8 x 42 3/4 x 13 in (403 x 1085 x 329 mm)
Airflow CFM (Turbo/High/Med/Low/Quiet)	636/530/483/430/383
Indoor Sound Level dB (Turbo/High/Med/Low/Quiet)	46/45/40/35/25
Heat Exchanger Fin Type	Blue Fin
Weight (Ship/Net)	35.3/28.7 lbs

Outdoor Unit	
Compressor	DC inverter Driven Rotary
Uncrated Dimension (HxWxD)	27 1/8 x 31 7/8 x 11 3/8 in (688 x 810 x 288 mm)
Crated (HxWxD)	29 3/8 x 37 3/8 x 16 in (745 x 949 x 406 mm)
Outdoor Sound Rating dB	54
Heat Exchanger Fin Type	Blue Fin
Weight (Ship/Net)	100.3/94.8 lbs
Factory Refrigerant Charge	R-410A (45.86 oz)



## Heating Capacity Data

Outdoor Air Temp DB	Indoor Set Temperature					
	60°F (16°C)		70°F (21°C)		77°F (25°C)	
	Maximum Heating Capacity (Btu/h)	Power Usage (w)	Max Heating Capacity (Btu/h)	Power Usage (w)	Max Heating Capacity (Btu/h)	Power Usage (w)
5°F (-15°C)	10,480	1,250	9,520	1,350	9,010	1,470
17°F (-8°C)	15,320	1,350	14,330	1,330	13,010	1,610
47°F (8°C)	21,900	1,550	20,310	1,710	18,760	1,860

Capacity and power usage are measured under the assumption of indoor humidity of 46%

## Cooling Capacity Data

Outdoor Air Temp DB	Indoor Set Temperature					
	70°F (21°C)		75°F (24°C)		80°F (27°C)	
	Total Capacity (Btu/h)	Power Usage (w)	Total Capacity (Btu/h)	Power Usage (w)	Total Capacity (Btu/h)	Power Usage (w)
0°F (-18°C)	8,640	620	8,930	630	14,400	650
14°F (-10°C)	8,640	670	8,930	680	14,400	700
32°F (0°C)	8,640	670	8,930	680	14,400	700
50°F (10°C)	8,640	670	8,930	680	14,400	700
65°F (18°C)	16,650	760	17,210	780	18,500	800
75°F (24°C)	16,470	770	17,020	790	18,300	810
85°F (29°C)	16,200	1,480	16,740	1,510	18,000	1,560
95°F (35°C)	17,100	1,960	17,670	2,000	19,000	2,060
105°F (41°C)	13,950	1,660	14,420	1,700	15,500	1,750
115°F (46°C)	13,050	1,250	13,490	1,280	14,500	1,320

Capacity and power usage are measured under the assumption of indoor humidity of 46%