

Deluxe Portable Air Conditioner - Air Cooled

MODEL: 20AC	1211	1811	2412	3612	3632	3634	6012	6032	6034
Cooling Capacity	11,800	16,800	24,020	36,050	36,050	36,050	60,100	60,100	60,100
Voltage (V/Phase) at 60Hz	115/1		208-230/1	208-230/1	208-230/3	460/3	208-230/1	208-230/3	460/3
Amps	10.4	14.1	14.9	18.1	17.2	8.7	32.0	20.4	14.8
Watts	1180	1670	2700	3620	3620	3620	6000	6000	6000
In Rush Current (Amps)	60	75	68	113	93	60	178	162	87
Plug Type	5-15P	5-20P	6-20P	6-30P	L15-30P	L16-20P	6-50P	L15-30P	L16-20P
EER	10.0	10.0	8.9	10.0	10.0	10.0	10.0	10.0	10.0
Compressor HP	1	1-1/2	2	3	3	3	5	5	5
Compressor RLA	9.5	12.3	10.5	13.6	8.8	5.0	27.6	18.1	9.0
Compressor LRA	50	63	48	83	77	35	158	137	62
Evap CFM	400	600	810	1200	1200	1200	1950	1950	1950
Evap Motor HP	1/8	1/8	1/3	1/3	1/3	1/3	1	1	1
Evap Motor Watts	180	210	370	420	420	420	700	700	700
Condenser CFM	580	930	1010	1390	1390	1390	2200	2200	2200
Condenser Motor HP	1/8	1/8	1/3	1	1	1	1	1	1
Condenser Motor Watts	200	280	490	860	860	860	1100	1100	1100
Condensate	5 Gallon Condensate Tank - STANDARD (Pump Optional)						Pump -STANDARD (20 ft. Lift)		
Sound Level	54	60	65	69			78		
R-410A Charge Oz.	18	40	37	66			80		
(A) Height with Casters (in.)	37-3/4	45-3/4		50-1/4			51-3/4		
(B) Width (in.)	20	24		27-1/2					
(C) Depth (in.)	25	30		35			39-1/2		
(D) Height w/o Casters (in.)	32-1/2	40-1/2		45			45-1/2		
Net Weight (lb.)	180	260	365	365	380	485	485	515	
Shipping Weight (lb.)	200	285	405	405	420	525	525	555	
Shipping Volume (cu. ft.)	19	28	40			48			



AIR COOLED



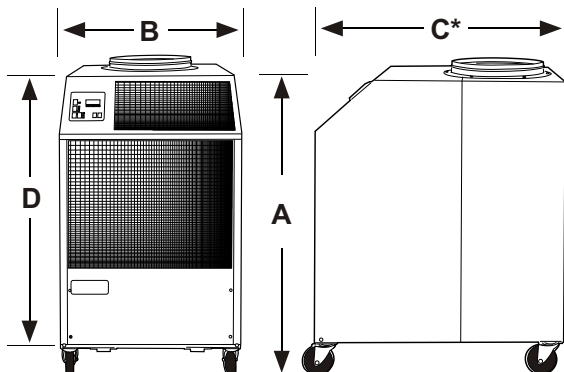
SPECIFICATIONS SUBJECT TO CHANGE WITHOUT NOTICE

- OA **Cooling Capacity** is total BTUH at 80°DB/67°WB return air, 95°F Outdoor at high fan speed
- OA Time Delay fuses/circuit breakers are recommended
- OA EER is determined at high fan speed, with condenser discharge air ducted into another area
- OA CFM with free discharge

COOLING AMBIENT OPERATING RANGE 65° TO 105° NOT APPROVED FOR OUTDOOR USE

WARRANTY
ALL OCEANAIRE PRODUCTS ARE COVERED BY THE OCEANAIRE LIMITED WARRANTY

1 YEAR ON THE FULL PRODUCT PLUS 4 ADDITIONAL YEARS FOR THE COMPRESSOR (RESTRICTIONS APPLY)



* Condenser Return Air Plenums
2DCP-1 and 2DCP-2 add 13 inches to "C"
DCP-5 adds 17 inches to "C"

FEATURES

- OA SOLID STATE ELECTRONIC CONTROLLER
- OA MANUAL OR AUTO 6-SPEED FAN CONTROL
- OA LARGE LED DISPLAY
- OA REAR SWIVEL BALL BEARING CASTERS
- OA LOCKING FRONT CASTERS
- OA CONDENSATE OVERFLOW ALERT
- OA LCDI POWER CORD (1-3 ton units/single phase)
- OA HIGH PRESSURE SAFETY SWITCH
- OA WASHABLE ELECTROSTATIC AIR FILTERS

NOZZLE KIT

2NK-1	2 X 4-INCH NOZZLES	20AC12
2NK-2	2 X 6-INCH NOZZLES	20AC18, 24
2NK-3	2 X 8-INCH NOZZLES	20AC36, 60

CEILING PANEL KIT

CK-12	12-INCH	20AC12, 18, 24
CK-16	16-INCH	20AC36, 60
CK-12PL	CK-12 WITHOUT DUCT FLANGE	

CONDENSATE PUMP KIT

2DPC-1	115V PUMP KIT, DELUXE	20AC12, 18
2DPC-2	230V PUMP KIT, DELUXE	20AC24, 36

(Condensate pumps are installed in 20AC60 models)

EVAPORATOR RETURN AIR PLENUM

DEP-10	10-INCH	20AC12
2DEP-12	12-INCH	20AC18, 24
DEP-16	16-INCH	20AC36, 60

DISCHARGE DUCT ADAPTER

2DDA-6	6-INCH	20AC12
2DDA-10	10-INCH	20AC18, 24
2DDA-16	16-INCH	20AC36, 60

CONDENSER RETURN AIR PLENUM

2DCP-1	12-INCH	20AC12
2DCP-2	12-INCH	20AC18, 24
DCP-5	16-INCH	20AC36, 60

CEILING PANELS (PANEL WITH DUCT CONNECTOR)

CKP-12	2 X 2 CEILING PANEL, FOR 12-INCH DUCT	
CKP-16	2 X 2 CEILING PANEL, FOR 16-INCH DUCT	

DUCT FLANGE

DF-12	12-INCH DUCT FLANGE	20AC12, 18, 24
DF-16	16-INCH DUCT FLANGE	20AC36, 60

(20AC36 and 20AC60 are shipped with 16" duct flange)

