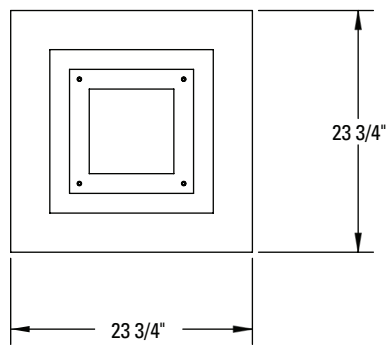
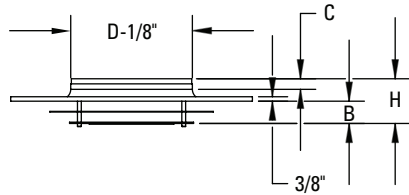


PYRAMID PLAQUE DIFFUSER SERIES



HIGH VELOCITY/HIGH ASPIRATION AIR OUTLET

- Distinctive Square Design
- Horizontal Air Pattern
- Installs Easily in T-Bar Ceiling Grid

MODEL	B	C	D	H
PPD-06-LI	2	1-3/16	6	4-1/4
PPD-08-LI	2	1-3/16	8	4-1/4
PPD-10-LI	2	1	10	4-1/4
PPD-12-LI	2	1	12	4-1/4
PPD-14-LI	2	1-1/4	14	5-1/4
PPD-16-LI	2	1-1/4	16	5-1/4

Inches measured to the nearest 1/16 inch

STANDARD FINISH:

- #52 White Powder Coat
- #42 Gloss Black Powder Coat
- #72 Silver Metallic Powder Coat
- #00 Mill Aluminum

OPTIONS:

- Custom Finish _____
- Acoustical Tile Mounting Kit

MATERIAL:

- Heavy Gauge Aluminum Construction

NOTES:

- Lay In Ceiling Installation

PROJECT :	<h2>PPD SERIES</h2> <p>PYRAMID PLAQUE DIFFUSER</p>	
ARCHITECT :		
ENGINEER :		
CONTRACTOR :		
SUBMITTED BY :	DATE :	FORM # : 10070S
		DRAWN BY : MH JANUARY 2007