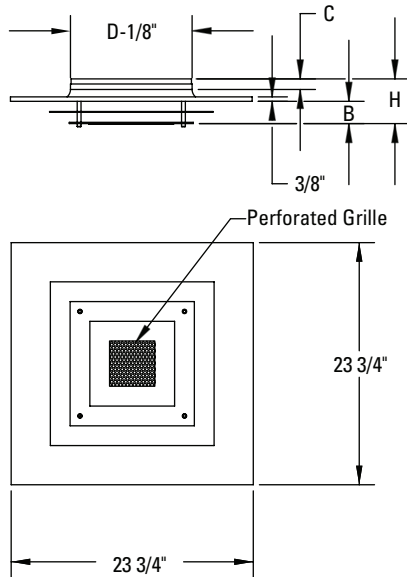


Pyramid Plaque Diffuser - Variable Pattern-Lay In



- HIGH VELOCITY/HIGH ASPIRATION AIR OUTLET
- Distinctive Square Design
 - Horizontal Air Pattern
 - Removable Blank-Off Plate adds a Vertical Air Pattern Component
 - Installs Easily in T-Bar Ceiling Grid

MODEL	B	C	D	H
PPDV-06-LI	2	1-3/16	6	4-1/4
PPDV-08-LI	2	1-3/16	8	4-1/4
PPDV-10-LI	2	1	10	4-1/4
PPDV-12-LI	2	1	12	4-1/4
PPDV-14-LI	2	1-1/4	14	5-1/4
PPDV-16-LI	2	1-1/4	16	5-1/4

Inches measured to the nearest 1/16 inch

STANDARD FINISH:

- #52 White Powder Coat
- #42 Gloss Black Powder Coat
- #72 Silver Metallic Powder Coat
- #00 Mill Aluminum

OPTIONS:

- Custom Finish _____
- Acoustical Tile Mounting Kit
-

MATERIAL:

- Heavy Gauge Aluminum Construction

NOTES:

- Lay In Ceiling Installation
- Blank-Off is easily Removable without the Use of Tools

Project:	<h2>PPDV Series</h2> <p>Pyramid Plaque Diffuser - Variable Pattern - Lay In Panel Series</p>	
Architect:		
Engineer:		
Contractor:		
Submitted By:	Date:	Form No: 10071S
		Drawn By: MH February 2007