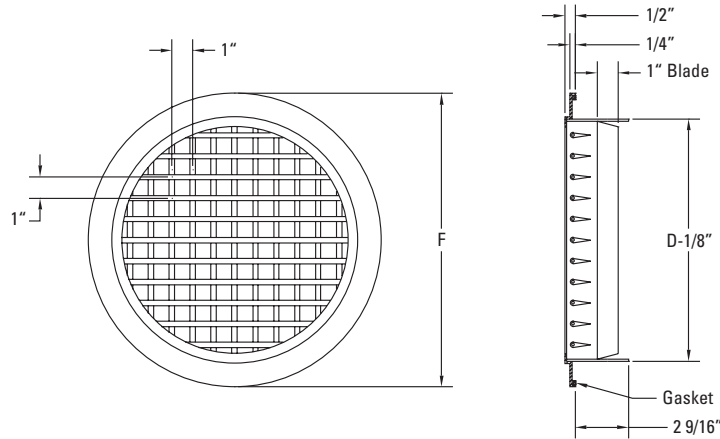


Round Double Deflection Grille



Model	Size	D	F
RDD-06	6	6	8-1/4
RDD-08	8	8	10-1/4
RDD-10	10	10	12-1/4
RDD-12	12	12	14-1/4
RDD-14	14	14	16-1/4
RDD-16	16	16	18-1/4
RDD-18	18	18	20-1/4
RDD-20	20	20	22-1/4
RDD-22	22	22	24-1/4
RDD-24	24	24	26-1/4

Inches measured to the nearest 1/16 inch

HIGH VELOCITY AIR OUTLET

- Double Deflection Design
Adjustable Vertical and Horizontal Blades
- Adjustable Air Pattern
Long Air Throws
Wide Dispersion Patterns
- 1" Extruded Airfoil Blades / 1" Spacing
- Wall or Ceiling Mount
- Concealed Mounting System

STANDARD FINISH:

- #52 White Powder Coat
- #42 Gloss Black Powder Coat
- #72 Silver Metallic Powder Coat
- #00 Mill Aluminum

MATERIAL:

- Heavy Gauge Aluminum Construction
- 1" Extruded Airfoil Blades / 1" Spacing
- Foam Gasket

OPTIONS:

- Custom Finish _____
- Flex Duct Mounting Kit

NOTES:

- Concealed Mounting System
- Mounting Screws Included

Project:	<h2>RDD Series</h2> <p>Round Double Deflection Grille</p>	
Architect:		
Engineer:		
Contractor:	Form No: 10010S	
Submitted By:	Date:	Drawn By: MH January 2002