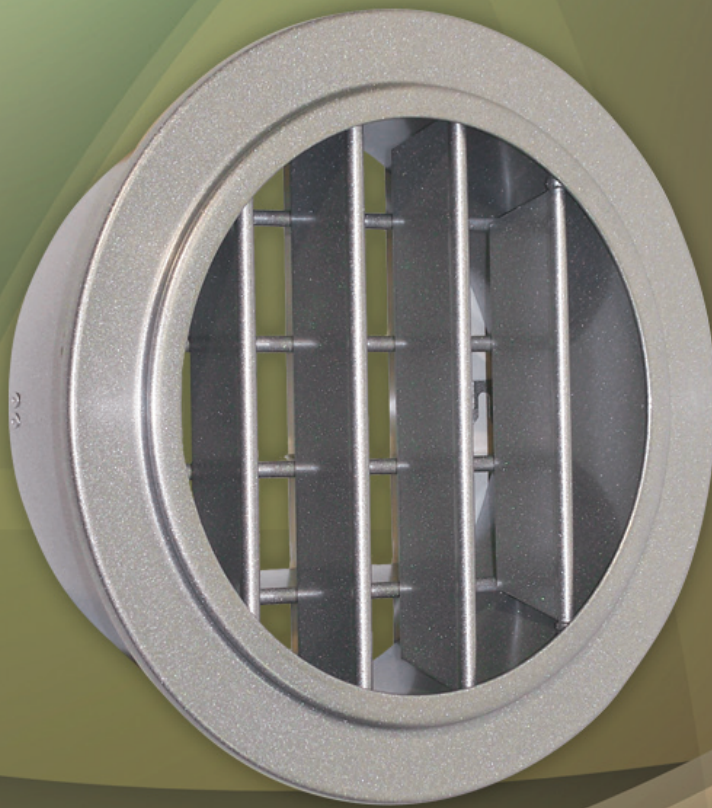


# AIRCONCEPTS

AIR DISTRIBUTION PRODUCTS

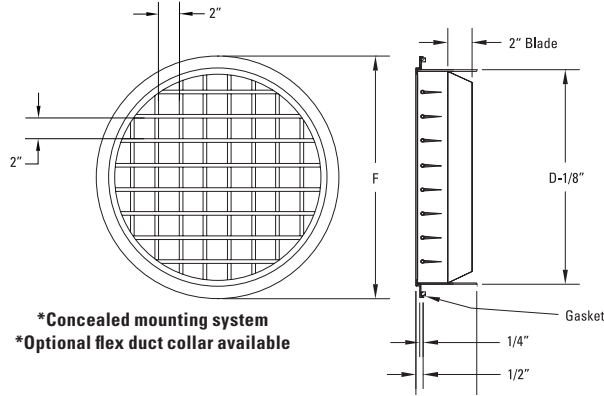


RDDW SERIES

# RDDW

## RDDW

Wall/Ceiling Mount

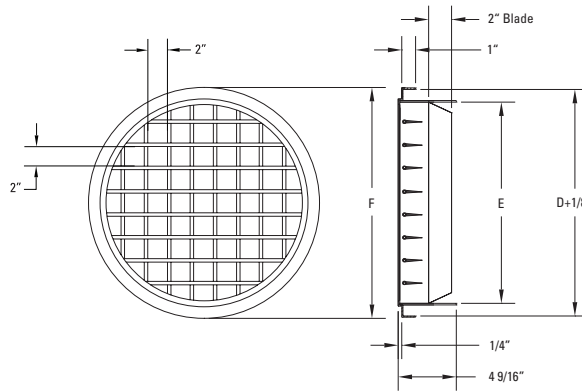


### RDDW Dimensions in Inches

MODEL	SIZE	D	F
RDDW-08	8	8	10 <sup>1</sup> / <sub>4</sub>
RDDW-10	10	10	12 <sup>1</sup> / <sub>4</sub>
RDDW-12	12	12	14 <sup>1</sup> / <sub>4</sub>
RDDW-14	14	14	16 <sup>1</sup> / <sub>4</sub>
RDDW-16	16	16	18 <sup>1</sup> / <sub>4</sub>
RDDW-18	18	18	20 <sup>1</sup> / <sub>4</sub>
RDDW-20	20	20	22 <sup>1</sup> / <sub>4</sub>
RDDW-22	22	22	24 <sup>1</sup> / <sub>4</sub>
RDDW-24	24	24	26 <sup>1</sup> / <sub>4</sub>

## RDDW-RD

Exposed Round Duct

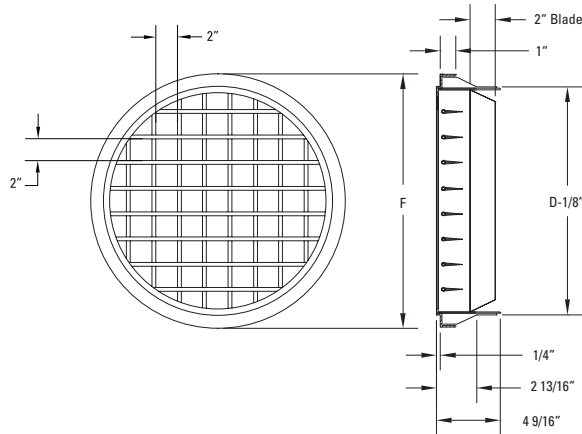


### RDDW-RD Dimensions in Inches

MODEL	SIZE	D	E	F
RDDW-08	8	10	8	10 <sup>1</sup> / <sub>4</sub>
RDDW-10	10	12	10	12 <sup>1</sup> / <sub>4</sub>
RDDW-12	12	14	12	14 <sup>1</sup> / <sub>4</sub>
RDDW-14	14	16	14	16 <sup>1</sup> / <sub>4</sub>
RDDW-16	16	18	16	18 <sup>1</sup> / <sub>4</sub>
RDDW-18	18	20	18	20 <sup>1</sup> / <sub>4</sub>
RDDW-20	20	22	20	22 <sup>1</sup> / <sub>4</sub>
RDDW-22	22	24	22	24 <sup>1</sup> / <sub>4</sub>
RDDW-24	24	26	24	26 <sup>1</sup> / <sub>4</sub>

## RDDW-RR

Exposed Round Duct



### RDDW-RR Dimensions in Inches

MODEL	SIZE	D	F
RDDW-08	8	8	10 <sup>1</sup> / <sub>4</sub>
RDDW-10	10	10	12 <sup>1</sup> / <sub>4</sub>
RDDW-12	12	12	14 <sup>1</sup> / <sub>4</sub>
RDDW-14	14	14	16 <sup>1</sup> / <sub>4</sub>
RDDW-16	16	16	18 <sup>1</sup> / <sub>4</sub>
RDDW-18	18	18	20 <sup>1</sup> / <sub>4</sub>
RDDW-20	20	20	22 <sup>1</sup> / <sub>4</sub>
RDDW-22	22	22	24 <sup>1</sup> / <sub>4</sub>
RDDW-24	24	24	26 <sup>1</sup> / <sub>4</sub>

### High Velocity Air Outlet

- Double deflection design
- Adjustable vertical and horizontal blades
- Long air throws
- Wide dispersion patterns

### Construction

- Heavy gauge aluminum
- 2" Extruded blades, 2" spacing

### Finishes

- Standard: #52 White powder coat
- Optional standard: #00 Mill #12 Anodized powder coat
- #42 Gloss black powder coat
- #43 Flat black powder coat
- #62 Grey prime powder coat
- #72 Silver metallic powder coat
- Custom colors available

MODEL	Duct Velocity Velocity Pressure	400 0.010	600 0.022	800 0.040	1000 0.062	1200 0.090	1400 0.122	1600 0.160
<b>RDDW-08</b>	CFM	140	209	279	349	419	489	559
	Static Pressure	0.015	0.035	0.062	0.099	0.141	0.193	0.250
	NC	<15	<15	<15	20	26	32	37
	Projection	5-10-20	8-16-27	11-21-32	14-25-36	17-28-39	20-30-41	21-32-45
<b>RDDW-10</b>	CFM	218	327	436	545	655	764	873
	Static Pressure	0.013	0.031	0.055	0.086	0.124	0.170	0.221
	NC	<15	<15	15	19	25	31	35
	Projection	6-12-24	9-17-32	14-26-37	17-31-45	21-34-47	25-37-52	29-40-56
<b>RDDW-12</b>	CFM	314	471	628	786	943	1100	1257
	Static Pressure	0.013	0.029	0.051	0.081	0.115	0.159	0.206
	NC	<15	<15	15	19	25	31	35
	Projection	7-15-30	12-24-40	16-33-47	20-37-53	25-41-59	29-45-65	33-48-74
<b>RDDW-14</b>	CFM	428	641	855	1069	1283	1497	1711
	Static Pressure	0.012	0.028	0.050	0.076	0.114	0.153	0.200
	NC	<15	<15	<15	20	26	32	36
	Projection	8-18-37	14-28-47	18-38-55	23-44-61	30-48-70	34-52-74	38-56-83
<b>RDDW-16</b>	CFM	559	838	1117	1396	1676	1955	2234
	Static Pressure	0.013	0.027	0.049	0.078	0.111	0.151	0.197
	NC	<15	<15	<15	21	27	33	37
	Projection	10-20-40	15-30-53	22-44-65	28-50-72	34-54-80	40-60-85	45-64-90
<b>RDDW-18</b>	CFM707	1060	1414	1767	2121	2474	2828	
	Static Pressure	0.012	0.028	0.048	0.076	0.109	0.150	0.194
	NC	<15	<15	16	23	29	35	39
	Projection	11-22-44	18-36-61	25-50-72	31-57-80	40-63-89	45-67-95	50-71-101
<b>RDDW-20</b>	CFM	873	1309	1746	2182	2618	3055	3491
	Static Pressure	0.012	0.027	0.047	0.074	0.106	0.144	0.187
	NC	<15	<15	16	23	29	35	39
	Projection	12-24-49	20-40-68	27-53-80	35-63-89	44-68-99	51-74-105	56-78-112
<b>RDDW-22</b>	CFM	1056	1584	2112	2640	3168	3696	4224
	Static Pressure	0.011	0.026	0.045	0.072	0.102	0.140	0.182
	NC	<15	<15	17	24	30	36	40
	Projection	13-27-54	22-44-74	30-57-85	37-68-98	47-76-110	57-85-120	60-87-123
<b>RDDW-24</b>	CFM	1257	1885	2514	3142	3770	4399	5027
	Static Pressure	0.011	0.025	0.044	0.071	0.101	0.136	0.179
	NC	<15	<15	18	25	32	37	41
	Projection	14-29-60	24-48-81	33-66-95	41-75-106	50-84-116	58-88-124	66-95-130

performance data based on ASHRAE 70-06

**Projection:** Projection distance [THROW] in feet from the Nozzle discharge at which the maximum velocity has been reduced to specified terminal velocity [Vt].

**Terminal Velocity:** Maximum velocity [Vt] in feet per minute at the specified distance from the outlet face [THROW] 200 fpm, 100fpm and 50 fpm respectively.

**Airflow CFM:** Standard air density and isothermal conditions.

**Static Pressure:** Inches of water gauge required.

**Noise Criteria:** Noise criteria [NC] curve which is not exceeded with a Room Attenuation of 10db and based on Sound Power Level Re: 10-12 watts.

**performance values for various deflection angles**

Deflection Angle	0°	10°	20°	30°	40°
Static Pressure [times]	1.0	1.1	1.2	1.7	2.1
Throw-Projection [times]	1.0	0.9	0.8	0.7	0.6
Noise Criteria – NC [add]	+0	+2	+5	+8	+12