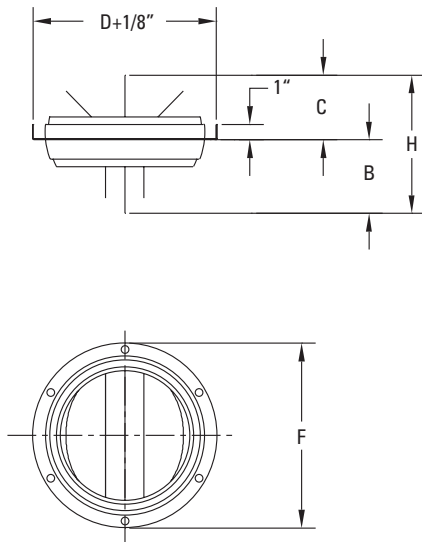


Aluminum Punkah Louver - Diffusing / Round Duct Series



HIGH VELOCITY TASK AIR OUTLET

- Low Noise Levels
- Low Pressure Requirements

ADJUSTABILITY

- Easy Finger Tip Adjustment
- Directional Air Pattern Control:
70 Degree Global Rotation Minimum
±35 Degree Deflection
360 Degree Rotation
- The Spherical Core Can Be Easily Adjusted To Provide a Jet Air Pattern or Diffused Air Pattern.

INSTALLATION

- Mounts Cleanly to Exposed Ductwork

MODEL	SIZE	B	C	D	F	H
APLD-08-RD	8	3-5/8	3-5/8	10	10	7-1/4
APLD-10-RD	10	4-5/8	4-5/8	12	12	9-1/4
APLD-12-RD	12	5-3/8	5-3/8	14	14	10-3/4

Inches measured to the nearest 1/16 inch

STANDARD FINISH:

- #12 Anodized Aluminum Powder Coat
- #42 Gloss Black Powder Coat
- #52 White Powder Coat
- #72 Silver Metallic Powder Coat
- #00 Mill Aluminum

OPTIONS:

- Custom Finish _____

MATERIAL:

- Aluminum

NOTES:

- Frame Slides Cleanly Over End of Exposed Ductwork
- Mounting Screws Included
- US Patent Pending

Project:	<h2>APLD Series</h2> <p>Aluminum Punkah Louver - Diffusing / Round Duct Series</p>	
Architect:		
Engineer:		
Contractor:	Form No: 20031S	
Submitted By:	Date:	Drawn By: MH January 2005