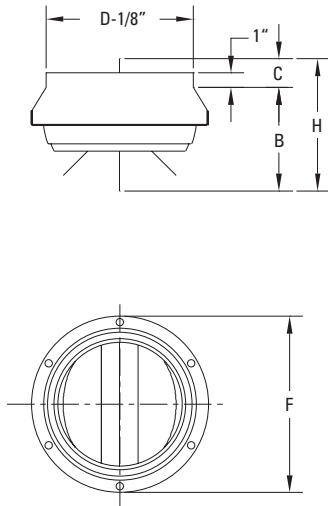


## Aluminum Punkah Louver - Diffusing / Round Reducer Series



### HIGH VELOCITY TASK AIR OUTLET

- Low Noise Levels
- Low Pressure Requirements

### ADJUSTABILITY

- Easy Finger Tip Adjustment
- Directional Air Pattern Control:  
*70 Degree Global Rotation Minimum*  
*±35 Degree Deflection*  
*360 Degree Rotation*
- The Spherical Core Can Be Easily Adjusted To Provide a Jet Air Pattern or Diffused Air Pattern.

### INSTALLATION

- Mounts Cleanly to Exposed Ductwork

MODEL	SIZE	B	C	D	F	H
APLD-08-RR	8	6-1/8	1-1/8	8	10	7-1/4
APLD-10-RR	10	7-1/8	2-1/8	10	12	9-1/4
APLD-12-RR	12	7-7/8	2-7/8	12	14	10-3/4

Inches measured to the nearest 1/16 inch

### STANDARD FINISH:

- #12 Anodized Aluminum Powder Coat
- #42 Gloss Black Powder Coat
- #52 White Powder Coat
- #72 Silver Metallic Powder Coat
- #00 Mill Aluminum

### OPTIONS:

- Aperture Damper
- Custom Finish \_\_\_\_\_

### MATERIAL:

- Aluminum

### NOTES:

- Frame Slides Cleanly Into End of Exposed Ductwork
- Mounting Screws Included
- US Patent Pending

<b>Project:</b>	<h2>APLD Series</h2> <p>Aluminum Punkah Louver - Diffusing / Round Reducer Series</p>	
<b>Architect:</b>		
<b>Engineer:</b>		
<b>Contractor:</b>	<b>Form No: 20032S</b>	
<b>Submitted By:</b>	<b>Date:</b>	<b>Drawn By: MH January 2005</b>