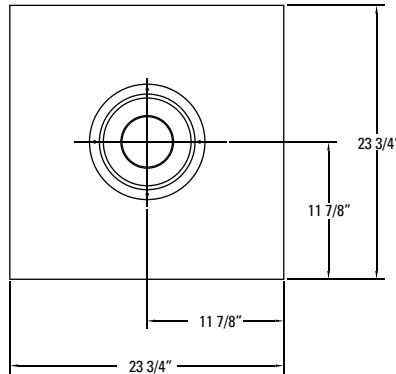
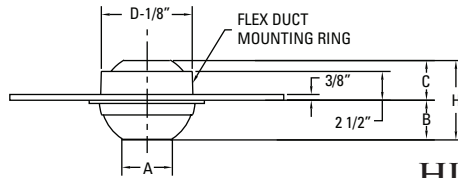


ALUMINUM PUNKAH LOUVER SPERICAL - LAY IN PANEL SERIES



HIGH VELOCITY TASK AIR OUTLET

- Low Noise Levels
- Low Pressure Requirements

ADJUSTABILITY

- Easy Finger Tip Adjustment
- Directional Air Pattern Control:
70° Global Rotation Minimum
± 35° Deflection
360° Rotation

INSTALLATION

- Installs Easily in T-Bar Ceiling Grid
- Flex Duct Mounting Included

MODEL	SIZE	A	B	C	D	H
APLS-04-LI	4	2	2-3/16	2-1/2	4	4-11/16
APLS-06-LI	6	3	2-1/4	2-1/2	6	4-3/4
APLS-08-LI	8	4-3/8	3-7/16	2-1/2	8	5-15/16
APLS-10-LI	10	5-3/4	4-5/16	2-9/16	10	6-7/8
APLS-12-LI	12	7-3/8	4-13/16	2-11/16	12	7-1/2
APLS-14-LI	14	8-5/8	5-7/16	3-13/16	14	9-1/4
APLS-16-LI	16	9-3/4	5-7/8	4-7/16	16	10-3/8
APLS-18-LI	18	10-1/2	6-7/8	3-15/16	18	10-7/8
APLS-20-LI	20	12-3/8	6-7/8	4-9/16	20	10-7/8

(Inches measured to the nearest 1/16")

STANDARD FINISHES

- #10 clear anodized
- #12 anodized powder coat
- #42 gloss black powder coat
- #43 flat black powder coat
- #52 white powder coat
- #62 grey primer powder coat
(on field painting)
- #72 silver metallic powder coat
- #99 custom color / color match
(paint chip needed)

MATERIAL

- Heavy Gauge Aluminum
- Foam Gasket

OPTIONS

- Custom Finish _____

NOTES

- Lay In Ceiling Installation
- Flex Duct Mounting Ring Included

PROJECT :	<h2>APLS LAY IN SERIES</h2> <p>ALUMINUM PUNKAH LOUVER - SPHERICAL LAY IN PANEL</p> <p>FORM # : 20019S</p> <p>DRAWN BY : MH JANUARY 2005</p>
ARCHITECT :	
ENGINEER :	
CONTRACTOR :	
SUBMITTED BY :	
DATE :	