

AIRCONCEPTS

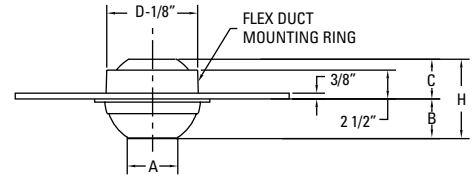
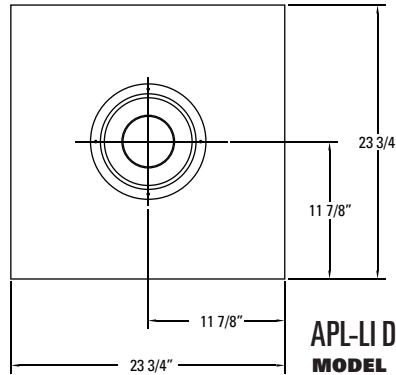
AIR DISTRIBUTION PRODUCTS



APLS PANEL SERIES

APLS-Panel

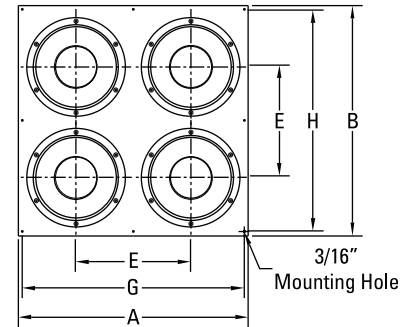
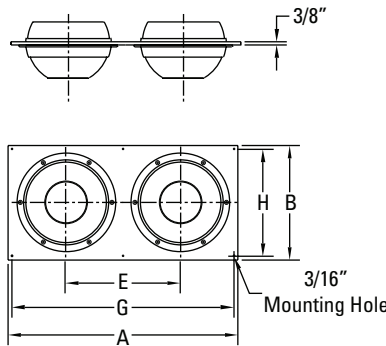
APLS-LI Lay In Panel



APLS-LI Dimensions in Inches

MODEL	SIZE	A	B	C	D	H
APLS-06-LI	6	3	2 1/4	2 1/2	6	4 3/4
APLS-08-LI	8	4 3/8	3 7/16	2 1/2	8	5 15/16
APLS-10-LI	10	5 3/4	4 5/16	2 9/16	10	6 7/8
APLS-12-LI	12	7 3/8	4 13/16	2 11/16	12	7 1/2
APLS-14-LI	14	8 5/8	5 7/16	3 13/16	14	9 1/4
APLS-16-LI	16	9 3/4	5 7/8	4 7/16	16	10 3/8
APLS-18-LI	18	10 1/2	6 7/8	3 15/16	18	10 7/8
APLS-20-LI	20	12 3/8	6 7/8	4 9/16	20	10 7/8

APLS-P2R Panel Wall/Ceiling Mount



APLS-P4S Panel Wall/Ceiling Mount



APLS-Panel Dimensions in Inches

MODEL	SIZE	#PER PANEL	A	B	DUCT SIZE	E	G	H
APLS-06-P2R	6	2	18	10	16 X 8	9 1/2	15	9
APLS-08-P2R	8	2	24	12	22 X 10	11 1/2	21	11
APLS-10-P2R	10	2	28	14	26 X 12	13 1/2	25	13
APLS-12-P2R	12	2	32	16	30 X 14	15 1/2	29	15
APLS-06-P4S	6	4	18	18	16 X 16	9 1/2	15	17
APLS-08-P4S	8	4	24	24	22 X 22	11 1/2	21	23
APLS-10-P4S	10	4	28	28	26 X 26	13 1/2	25	27
APLS-12-P4S	12	4	32	32	30 X 30	15 1/2	29	31

Adjustability

- Easy Finger Tip Adjustment
- Directional Air Pattern Control:
- 70° Degree Global Rotation
- ±35° Degree Deflection
- 360° Degree Rotation

Construction

- Aluminum
- Foam Gasket

Finishes

- Standard: #52 White powder coat
- Optional standard: #00 Mill
- #10 Clear anodized
- #12 Anodized powder coat
- #42 Gloss black powder coat
- #43 Flat black powder coat
- #62 Grey prime powder coat
- #72 Silver metallic powder coat
- Custom colors available

MODEL	Nozzle Velocity (FPM)	1000	1500	1750	2000	2250	2500	3000
APLS-04	CFM	22	33	38	44	49	55	66
	Static Pressure	0.05	0.11	0.15	0.21	0.26	0.31	0.46
	NC	<15	<15	17	21	24	27	29
	Projection	3-6-12	4-8-17	5-10-20	6-12-23	7-14-24	8-16-24	9-18-27
APLS-04-2 (2 NOZZLES)	CFM	44	66	76	88	98	110	132
	Static Pressure	0.05	0.11	0.15	0.21	0.26	0.31	0.46
	NC	<20	<20	20	24	27	30	32
	Projection	4-8-16	6-12-23	7-14-28	8-16-32	9-18-33	11-22-34	13-26-38
APLS-04-3 (3 NOZZLES)	CFM	66	99	114	132	147	165	198
	Static Pressure	0.05	0.11	0.15	0.21	0.26	0.31	0.46
	NC	<20	<20	22	26	29	32	34
	Projection	5-10-20	7-14-27	9-18-36	10-20-40	11-22-40	13-26-41	15-30-46
APLS-04-4 (4 NOZZLES)	CFM	88	132	152	176	196	220	264
	Static Pressure	0.05	0.11	0.15	0.21	0.26	0.31	0.46
	NC	<20	<20	23	27	30	33	35
	Projection	6-12-24	8-16-34	10-20-40	12-24-46	14-28-47	16-32-48	18-36-54
APLS-06	CFM	49	74	86	98	110	123	147
	Static Pressure	0.06	0.15	0.20	0.27	0.34	0.42	0.58
	NC	<15	17	20	23	25	27	31
	Projection	4-8-16	6-12-23	7-14-27	8-16-27	9-18-29	10-20-30	12-21-32
APLS-06-2 (2 NOZZLES)	CFM	98	148	172	196	220	246	294
	Static Pressure	0.06	0.15	0.20	0.27	0.34	0.42	0.58
	NC	<20	20	23	26	28	30	34
	Projection	6-12-24	8-16-31	10-20-35	11-22-38	13-26-40	14-28-42	17-29-45
APLS-06-3 (3 NOZZLES)	CFM	147	222	258	294	330	369	441
	Static Pressure	0.06	0.15	0.20	0.27	0.34	0.42	0.58
	NC	<20	22	25	28	30	32	36
	Projection	7-14-28	10-20-39	12-24-43	14-28-46	16-32-49	17-34-51	20-36-54
APLS-06-4 (4 NOZZLES)	CFM	196	296	344	392	440	492	588
	Static Pressure	0.06	0.15	0.20	0.27	0.34	0.42	0.58
	NC	20	23	26	29	31	33	37
	Projection	8-16-32	12-24-46	14-28-50	16-32-54	18-36-57	20-40-60	24-42-64

performance data based on ASHRAE 70-06

Airflow CFM: Standard air density and isothermal conditions.

Noise Criteria: Noise criteria [NC] curve which is not exceeded with a Room Attenuation of 10db and based on Sound Power Level Re: 10-12 watts.

Static Pressure: Inches of water gauge required.

Projection: Projection distance [THROW] in feet from the Nozzle discharge at which the maximum velocity has been reduced to specified terminal velocity [Vt].

Nozzle Velocity: Nozzle Discharge Velocity in feet per minute [fpm].

Terminal Velocity: Maximum velocity [Vt] in feet per minute at the specified distance from the outlet face [THROW] 400 fpm, 200 fpm, and 100 fpm respectively.

MODEL	Nozzle Velocity (FPM)	1000	1500	1750	2000	2250	2500	3000
APLS-08	CFM	104	157	183	209	236	261	313
	Static Pressure	0.07	0.17	0.23	0.31	0.39	0.47	0.67
	NC	<15	17	20	23	26	30	36
	Projection	6-11-23	8-17-34	9-19-38	11-23-39	12-24-42	14-28-44	17-31-46
APLS-08-2 (2 NOZZLES)	CFM	208	314	366	418	472	522	626
	Static Pressure	0.07	0.17	0.23	0.31	0.39	0.47	0.67
	NC	<20	20	23	26	29	33	39
	Projection	8-16-32	11-22-44	13-26-52	15-30-55	17-34-58	19-39-62	24-43-64
APLS-08-3 (3 NOZZLES)	CFM	312	471	549	627	708	783	939
	Static Pressure	0.07	0.17	0.23	0.31	0.39	0.47	0.67
	NC	<20	22	25	28	31	35	41
	Projection	10-20-39	13-26-58	15-30-60	18-36-66	21-42-70	23-47-75	29-53-78
APLS-08-4 (4 NOZZLES)	CFM	416	628	732	836	944	1044	1252
	Static Pressure	0.07	0.17	0.23	0.31	0.39	0.47	0.67
	NC	20	23	26	29	32	36	42
	Projection	12-22-46	16-34-68	19-38-73	22-45-78	25-50-83	28-56-88	34-62-92
APLS-10	CFM	180	270	315	361	405	451	541
	Static Pressure	0.07	0.18	0.25	0.33	0.42	0.51	0.73
	NC	<15	19	22	26	30	34	39
	Projection	7-15-30	11-22-45	13-26-52	15-30-51	17-34-55	19-37-57	22-41-61
APLS-10-2 (2 NOZZLES)	CFM	360	540	630	722	810	902	1082
	Static Pressure	0.07	0.18	0.25	0.33	0.42	0.51	0.73
	NC	<20	22	25	29	33	37	42
	Projection	9-18-36	15-30-61	18-36-67	21-42-71	24-48-76	27-63-80	31-57-85
APLS-10-3 (3 NOZZLES)	CFM	540	810	945	1083	1215	1353	1623
	Static Pressure	0.07	0.18	0.25	0.33	0.42	0.51	0.73
	NC	21	24	27	31	35	39	44
	Projection	12-24-48	18-36-73	22-44-80	25-50-87	28-56-93	32-63-97	37-70-104
APLS-10-4 (4 NOZZLES)	CFM	720	1080	1260	1444	1620	1804	2164
	Static Pressure	0.07	0.18	0.25	0.33	0.42	0.51	0.73
	NC	22	25	28	32	36	40	45
	Projection	14-30-60	22-44-90	26-52-96	30-60-102	34-68-109	38-74-114	44-82-122

performance data based on ASHRAE 70-06

Airflow CFM: Standard air density and isothermal conditions.

Noise Criteria: Noise criteria [NC] curve which is not exceeded with a Room Attenuation of 10db and based on Sound Power Level Re: 10-12 watts.

Static Pressure: Inches of water gauge required.

Projection: Projection distance [THROW] in feet from the Nozzle discharge at which the maximum velocity has been reduced to specified terminal velocity [Vt].

Nozzle Velocity: Nozzle Discharge Velocity in feet per minute [fpm].

Terminal Velocity: Maximum velocity [Vt] in feet per minute at the specified distance from the outlet face [THROW] 400 fpm, 200 fpm, and 100 fpm respectively.

MODEL	Nozzle Velocity (FPM)	1000	1500	1750	2000	2250	2500	3000
APLS-12	CFM	297	445	519	593	668	742	890
	Static Pressure	0.08	0.19	0.26	0.34	0.44	0.53	0.75
	NC	<15	20	25	31	34	38	43
	Projection	10-19-38	14-29-57	16-33-66	19-38-65	21-42-70	24-48-74	29-52-78
APLS-12-2 (2 NOZZLES)	CFM	594	890	1038	1186	1336	1484	1780
	Static Pressure	0.08	0.19	0.26	0.34	0.44	0.53	0.75
	NC	<20	23	28	34	37	41	46
	Projection	14-27-53	20-41-80	24-48-85	27-53-91	30-60-96	34-67-104	41-73-109
APLS-12-3 (3 NOZZLES)	CFM	891	1335	1557	1779	2004	2226	2670
	Static Pressure	0.08	0.19	0.26	0.34	0.44	0.53	0.75
	NC	20	25	30	36	39	43	48
	Projection	17-32-65	24-50-80	27-54-95	32-65-110	36-72-117	41-81-126	49-88-133
APLS-12-4 (4 NOZZLES)	CFM	1188	1780	2076	2372	2672	2968	3560
	Static Pressure	0.08	0.19	0.26	0.34	0.44	0.53	0.75
	NC	21	26	31	37	40	44	49
	Projection	20-38-76	28-58-114	33-66-122	38-76-130	43-86-139	48-96-148	58-104-156
APLS-14	CFM	406	609	711	811	915	1014	1217
	Static Pressure	0.08	0.20	0.28	0.36	0.46	0.56	0.78
	NC	<15	24	28	33	36	39	44
	Projection	11-22-45	17-33-67	20-39-78	22-45-76	25-50-82	28-56-86	33-61-91
APLS-16	CFM	518	778	908	1036	1167	1296	1555
	Static Pressure	0.08	0.20	0.28	0.36	0.46	0.56	0.78
	NC	<15	24	28	33	36	39	44
	Projection	13-25-50	19-38-76	22-44-87	25-50-86	28-56-92	32-63-97	38-69-103
APLS-18	CFM	601	902	1052	1202	1353	1503	1804
	Static Pressure	0.07	0.19	0.26	0.33	0.43	0.52	0.74
	NC	16	25	29	34	36	39	45
	Projection	14-27-54	20-41-81	23-47-93	27-54-105	30-60-107	34-68-110	41-74-111
APLS-20	CFM	835	1253	1492	1670	1880	2088	2506
	Static Pressure	0.07	0.18	0.23	0.31	0.39	0.48	0.70
	NC	16	25	29	34	36	39	45
	Projection	16-32-64	24-48-96	28-56-112	32-64-110	36-72-115	40-80-123	48-87-131

performance data based on ASHRAE 70-06

Airflow CFM: Standard air density and isothermal conditions.

Noise Criteria: Noise criteria [NC] curve which is not exceeded with a Room Attenuation of 10db and based on Sound Power Level Re: 10-12 watts.

Static Pressure: Inches of water gauge required.

Projection: Projection distance [THROW] in feet from the Nozzle discharge at which the maximum velocity has been reduced to specified terminal velocity [Vt].

Nozzle Velocity: Nozzle Discharge Velocity in feet per minute [fpm].

Terminal Velocity: Maximum velocity [Vt] in feet per minute at the specified distance from the outlet face [THROW] 400 fpm, 200 fpm, and 100 fpm respectively.