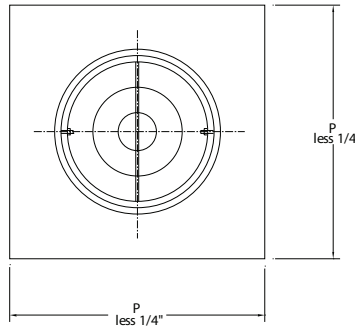
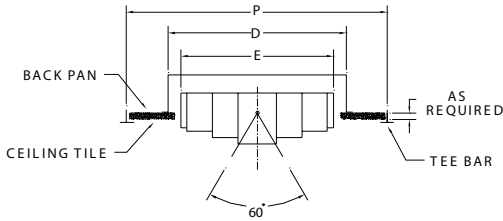


AIR NOZZLE - ACOUSTICAL TILE SERIES



ADJUSTABILITY

- Adjustment of the nozzle element about a fixed plane through a 360° rotation.
- Note: Ceiling Tile **MUST** be furnished to factory for assembly into a zinc coated steel back pan.
- Note: Lay-in Tee-Bar Ceiling is Standard. Contact factory for other Ceiling Systems.

MODEL	E (NOZZLE)	RINGS PER NOZZLE	D (DUCT)	P (PANEL)
ANC-06-AT	6	3	8	24
ANC-08-AT	8	3	10	24
ANC-10-AT	10	3	12	24
ANC-12-AT	12	3	14	24
ANC-14-AT	14	4	16	24

(Inches measured to the nearest 1/16")

STANDARD MATERIAL

- Heavy Gauge Steel

OPTIONAL MATERIAL

- Heavy Gauge Aluminum
- Stainless Steel #304
- Stainless Steel #316

NOTES

- Flex Duct Mounting Collar Included
- Custom Sizes Available

STANDARD FINISHES

- #00 mill (aluminum)
- #10 clear anodized (aluminum)
- #12 anodized powder coat
- #42 gloss black powder coat
- #43 flat black powder coat
- #52 white powder coat
- #62 grey primer powder coat (on field painting)
- #72 silver metallic powder coat
- #99 custom color / color match (paint chip needed)

PROJECT :

ARCHITECT :

ENGINEER :

CONTRACTOR :

SUBMITTED BY :

DATE :

ANC-AT SERIES
AIR NOZZLE - ACOUSTICAL TILE MOUNT

FORM # : 30013S

DRAWN BY : MH JANUARY 2002