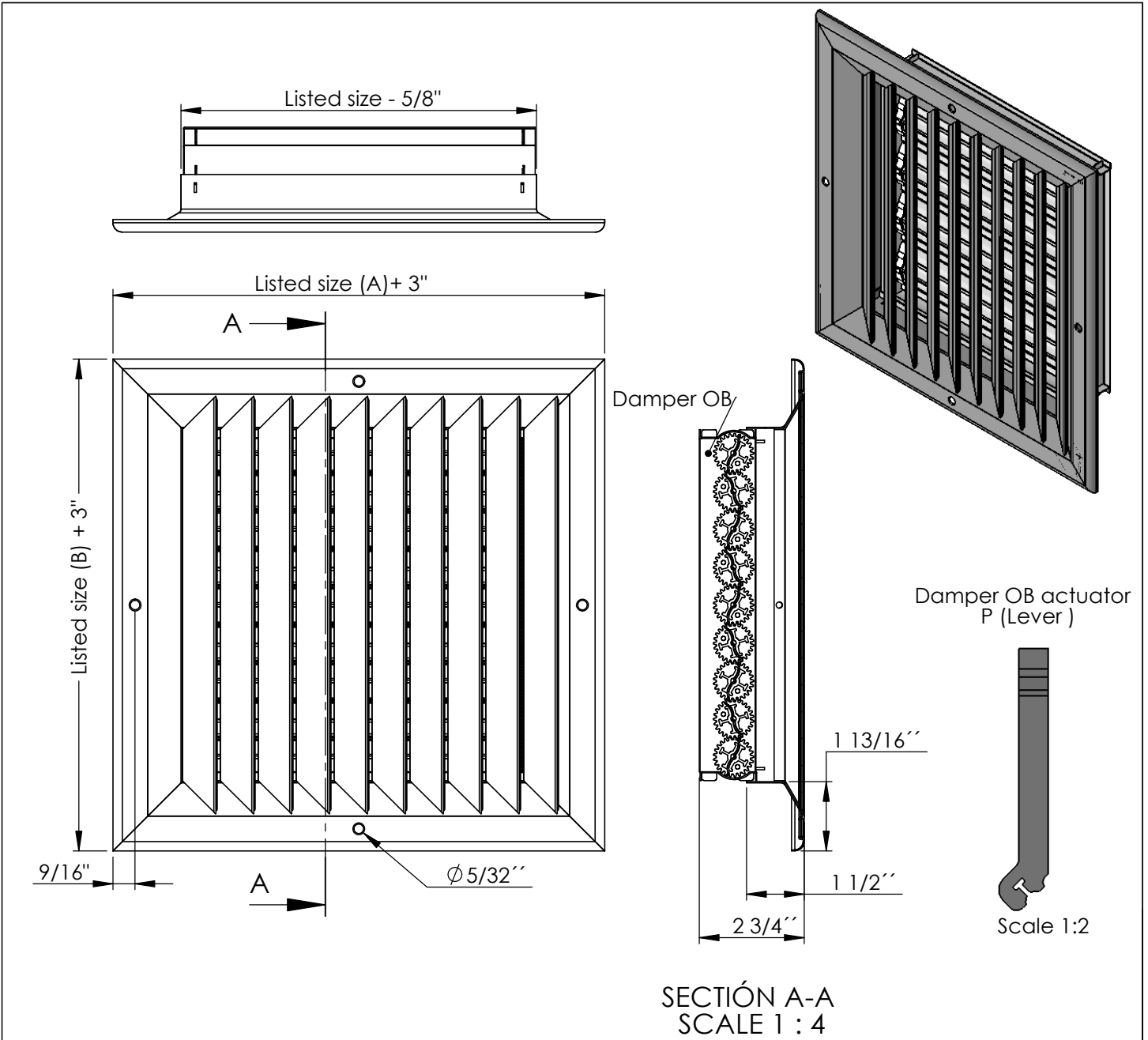




MODEL L-JS1-OB



Finish
 White (Standard)
 Other colors (Optional)

SECCIÓN A-A
 SCALE 1 : 4

NOTE: Available in size 6"X6" to 24"X24"

Dimensions are in inches

MODEL L-JS1-OB

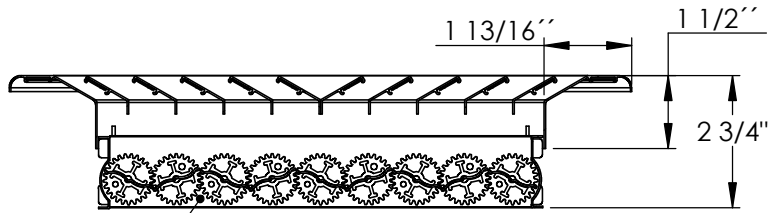
Extruded Aluminum

Job Name: _____
 Location: _____

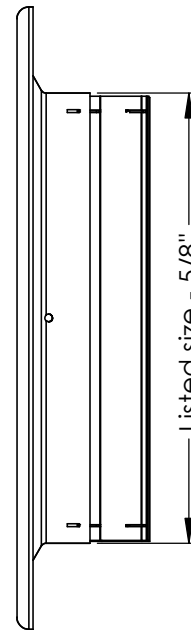
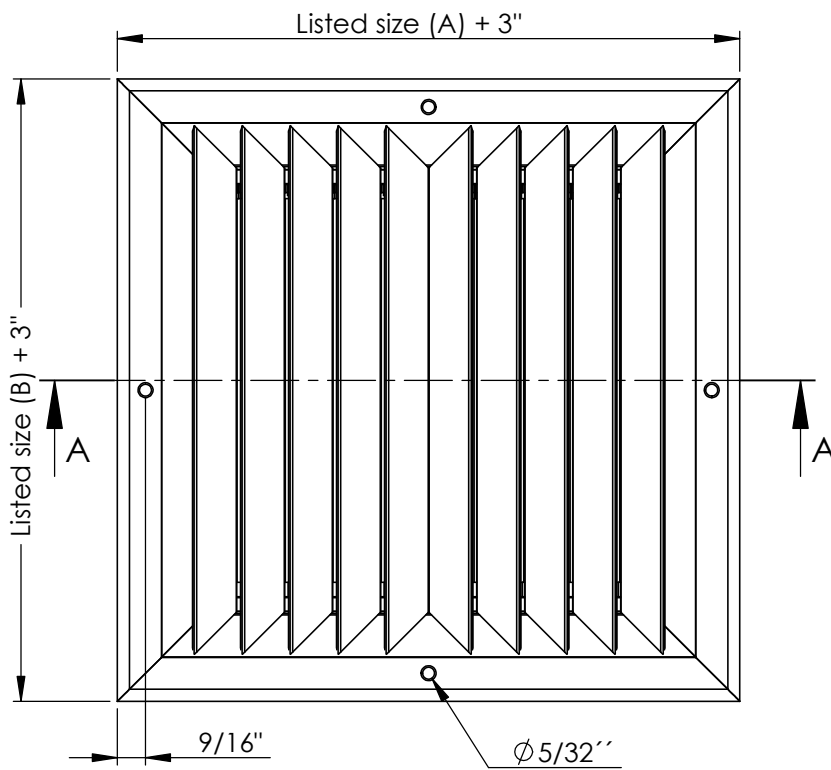
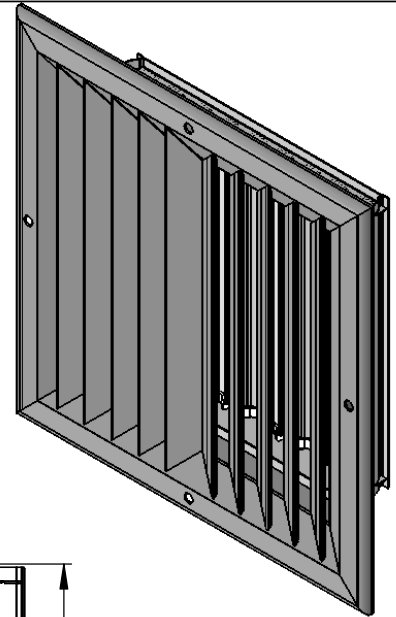
Architect: _____
 Engineer: _____
 Contractor: _____



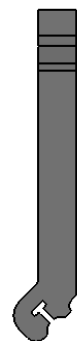
MODEL L-JS2-180°-OB



Damper OB
SECCIÓN A-A
SCALE 1 : 4



Damper OB actuator
P (Lever)



Scale 1:2

Finish
White (Standard)
Other colors (Optional)

NOTE: Available in size 6"X6" to 24"X24"

Dimensions are in inches

MODEL L-JS2-180°-OB

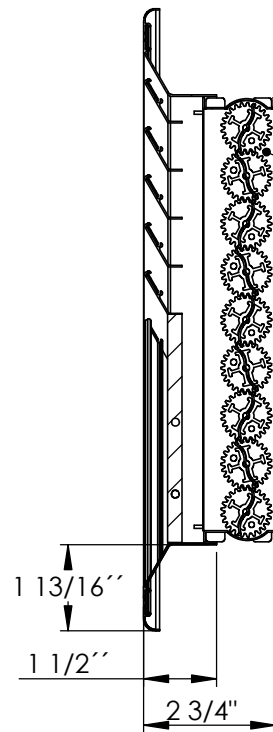
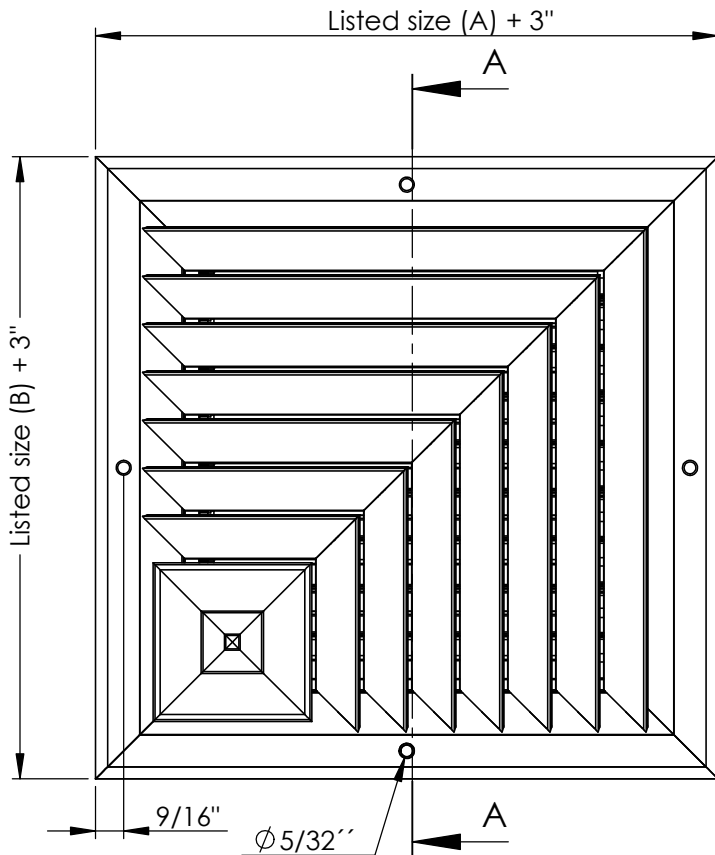
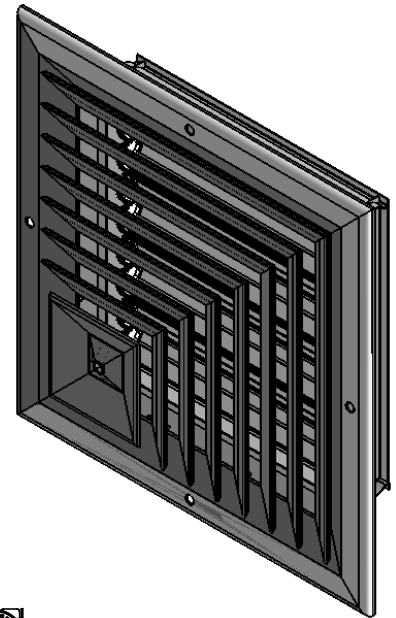
Extruded Aluminum

Job Name: _____
Location: _____

Architect: _____
Engineer: _____
Contractor: _____



MODEL L-JS2-90°-OB



Damper OB

Damper OB actuator
P (Lever)

Scale 1:2

SECTION A-A
SCALE 1 : 4

NOTE: Available in size 6"X6" to 24"X24"

Finish
White (Standard)
Other colors (Optional)

Dimensions are in inches

MODEL L-JS2-90°-OB

Extruded Aluminum

Job Name: _____

Architect: _____

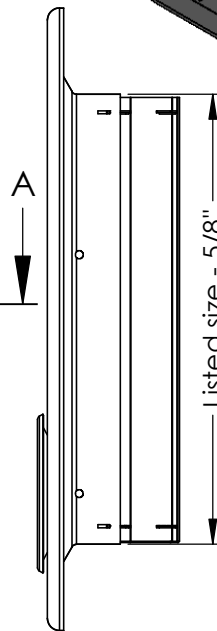
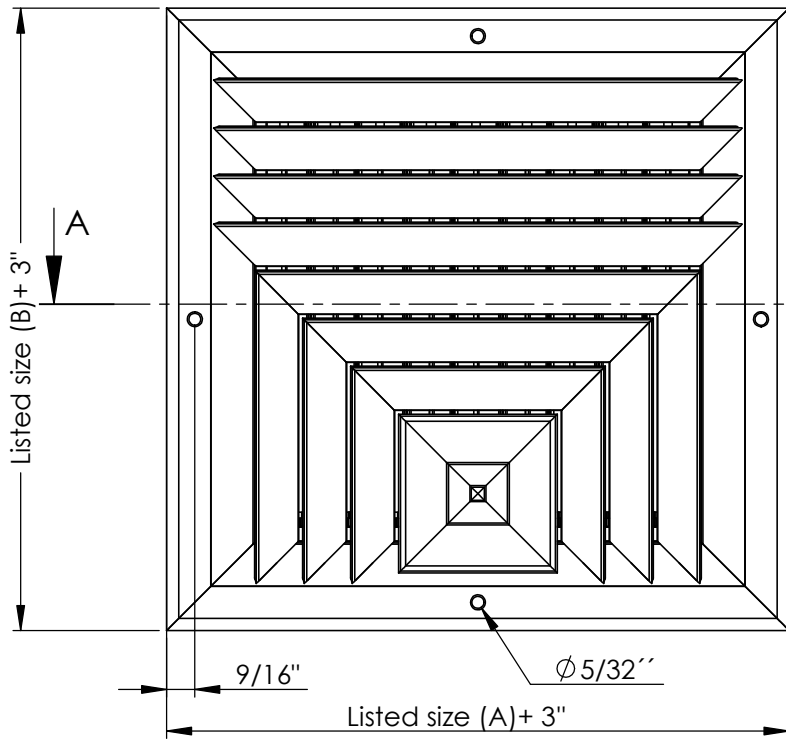
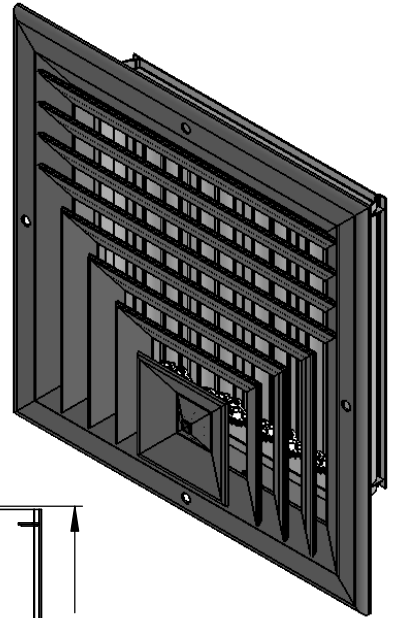
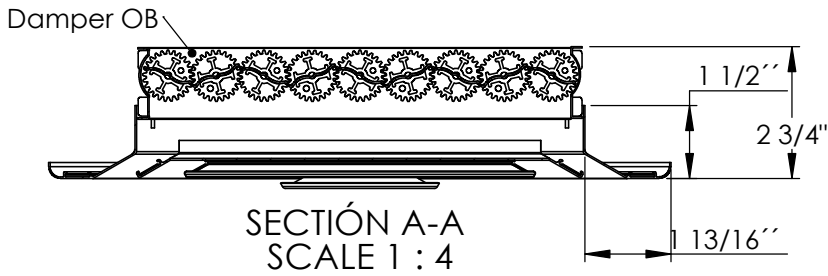
Location: _____

Engineer: _____

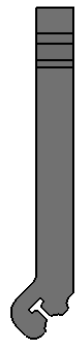
Contractor: _____



MODEL L-JS3-OB



Damper OB actuator
P (Lever)



Finish
White (Standard)
Other colors (Optional)

NOTE: Available in size 6"X6" to 24"X24"

Dimensions are in inches

MODEL L-JS3-OB

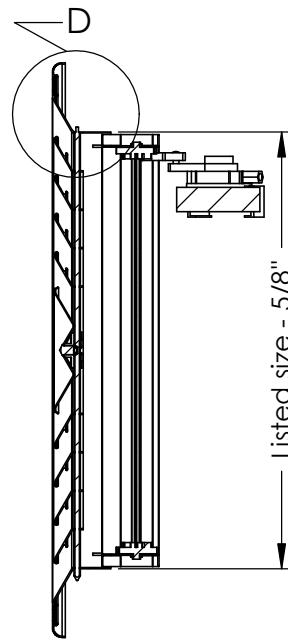
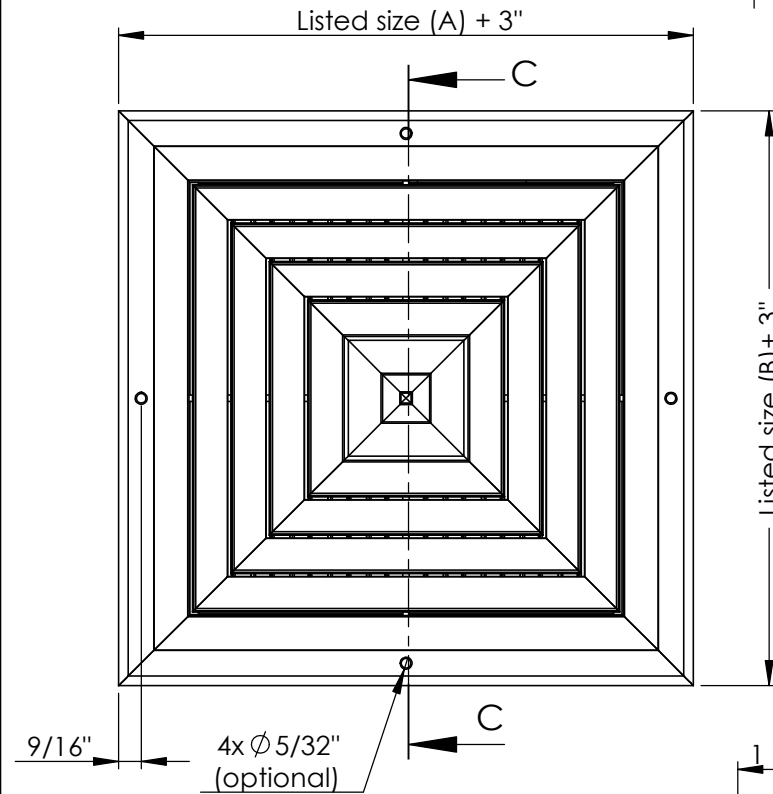
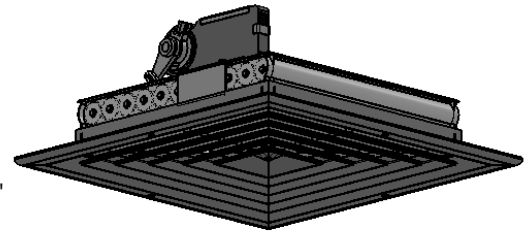
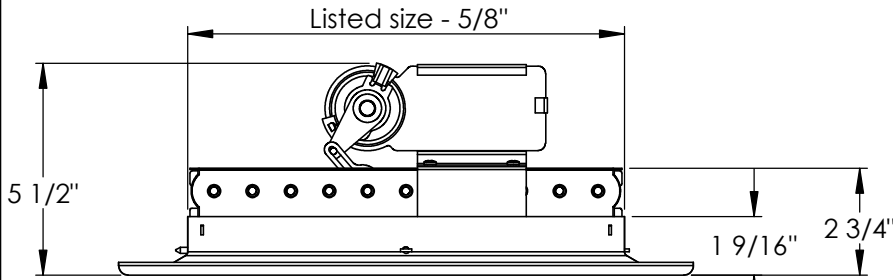
Extruded Aluminum

Job Name: _____
Location: _____

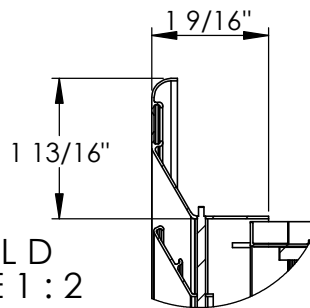
Architect: _____
Engineer: _____
Contractor: _____



MODEL L-JS4-OB-MOTORIZED



SECTION C-C



DETAIL D
SCALE 1 : 2

Finish
White (Standard)
Other colors (Optional)

NOTE: Available in size 8"X6" to 20"X12"

Dimensions are in inches

MODEL L-JS4-OB-MOTORIZED

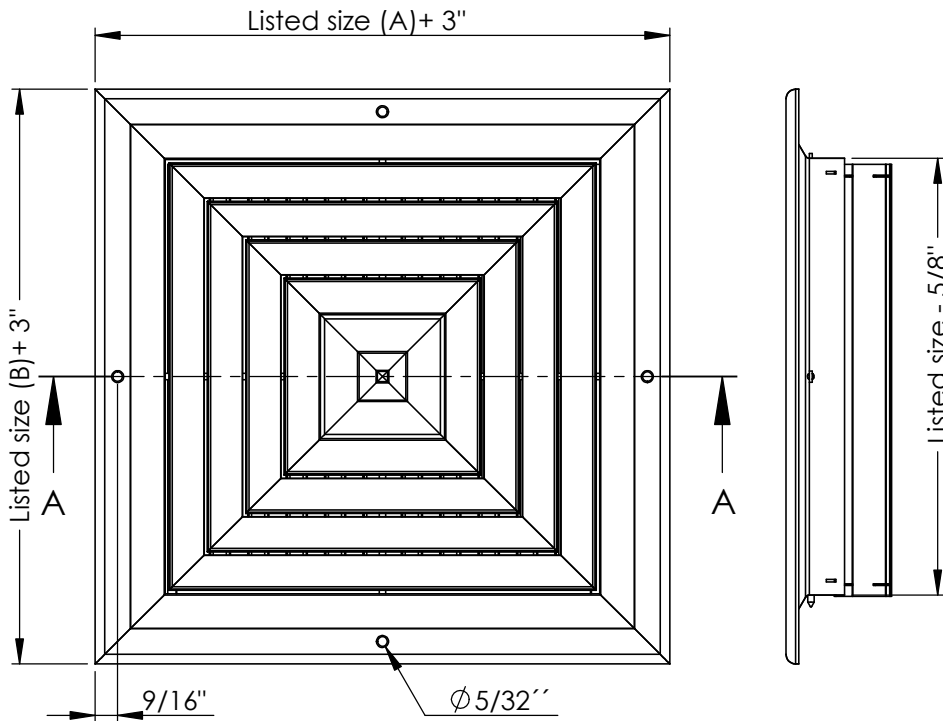
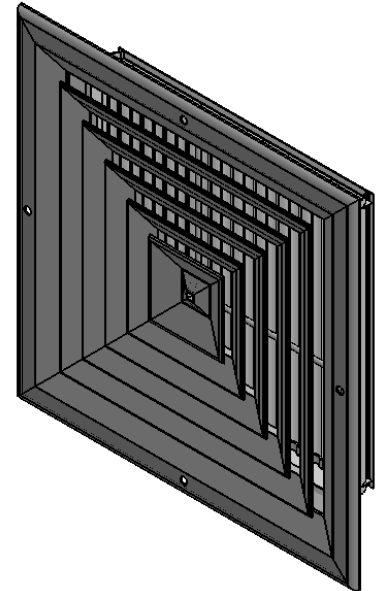
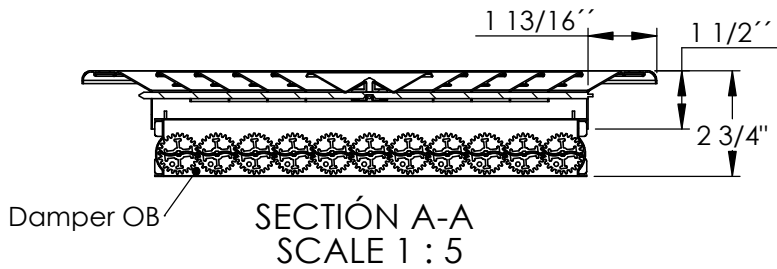
Extruded Aluminum
Engine marks BELIMO 24volts

Job Name: _____
Location: _____

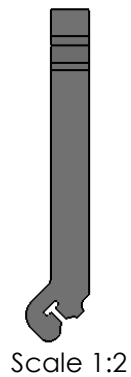
Architect: _____
Engineer: _____
Contractor: _____



MODEL L-JS4-OB SQUARE



Damper OB actuator
P (Lever)



Finish
White (Standard)
Other colors (Optional)

NOTE: Available in size 6"X6" to 24"X24"

Dimensions are in inches

MODEL L-JS4-OB SCUARE

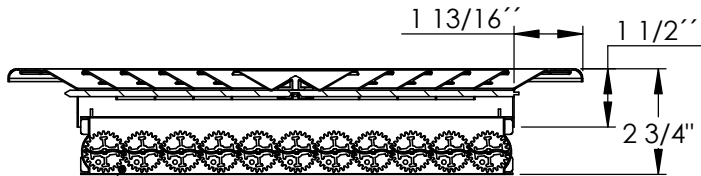
Extruded Aluminum

Job Name: _____
Location: _____

Architect: _____
Engineer: _____
Contractor: _____

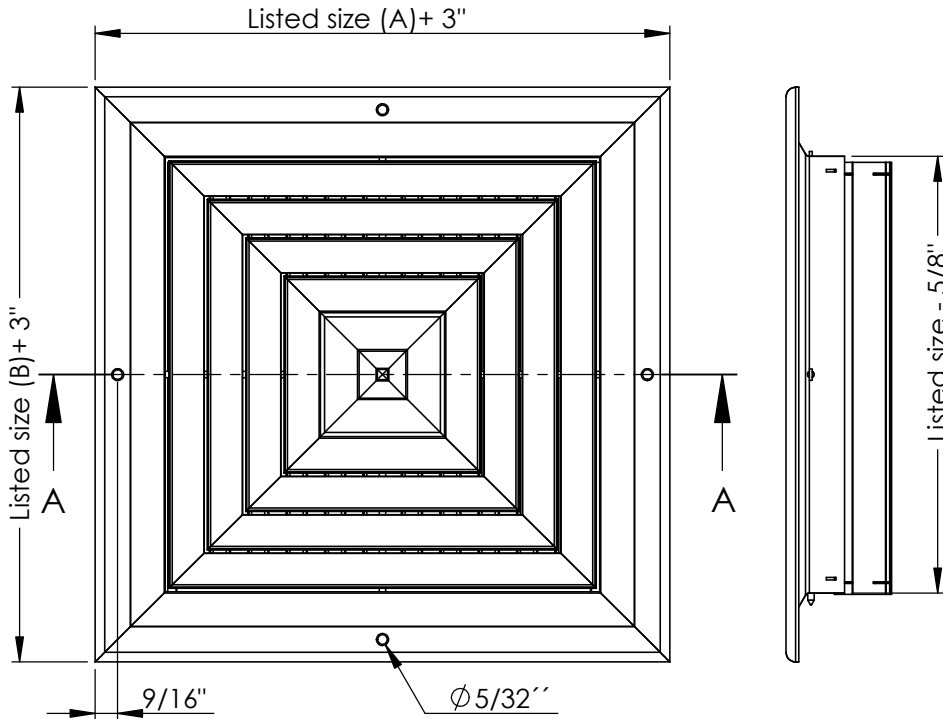
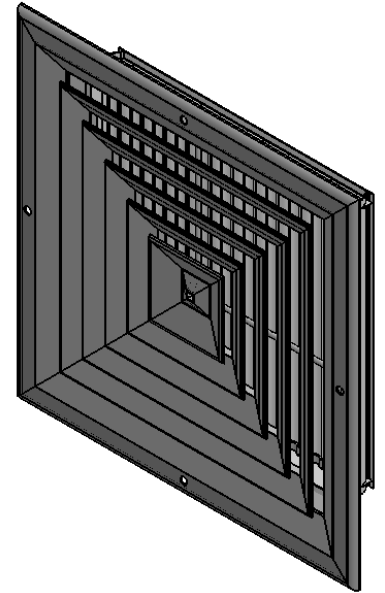


MODEL L-JS4-OB



Damper OB

SECTION A-A
SCALE 1 : 5



Damper OB actuator
P (Lever)



Scale 1:2

Finish
White (Standard)
Other colors (Optional)

NOTE: Available in size 6"X6" to 24"X24"

Dimensions are in inches

MODEL L-JS4-OB

Extruded Aluminium

Job Name: _____
Location: _____

Architect: _____
Engineer: _____
Contractor: _____