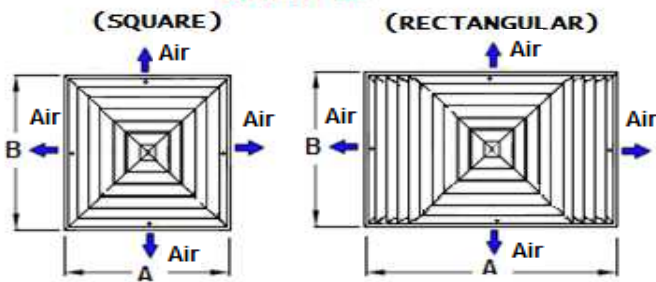
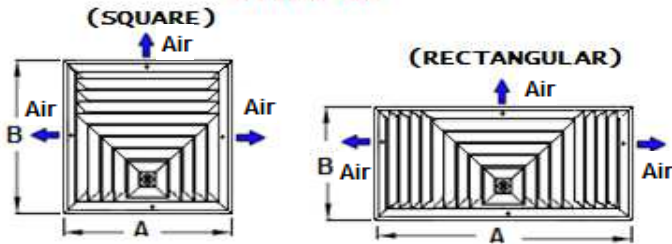


L-JS - AIR FLOW DISTRIBUTION

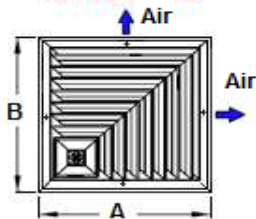
L-JS-4
STYLE 01



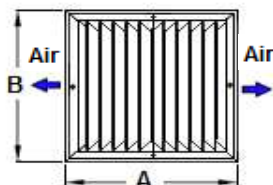
L-JS-3
STYLE 02



L-JS-2-90°
STYLE 03



L-JS-2-180°
STYLE 04



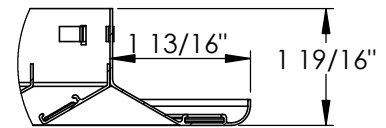
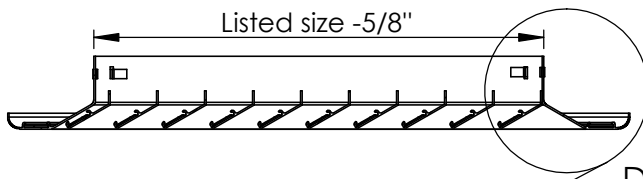
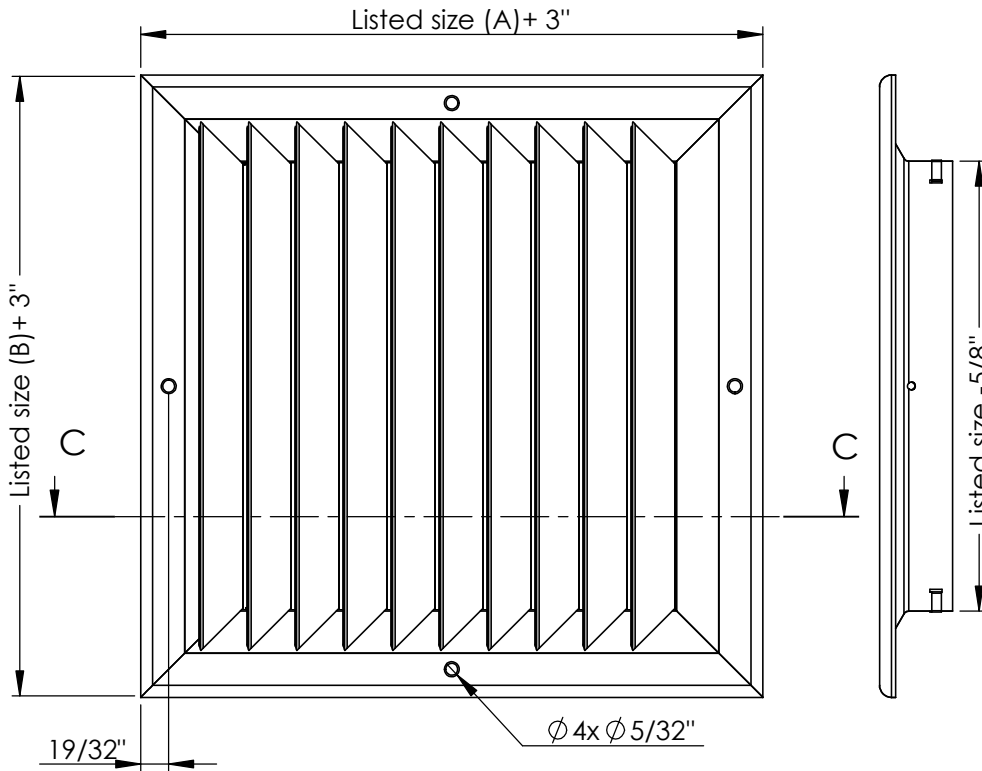
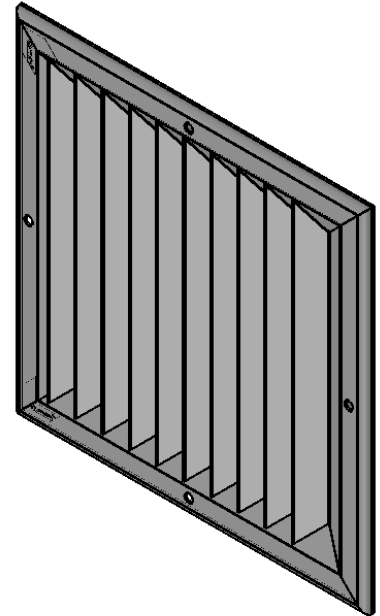
L-JS-1
STYLE 05



Criterio general de estilos, la medida del lado (A) SIEMPRE será la vía a anulada cuando se requiera.



MODEL L-JS1



DETAIL D
SCALE 2 : 5

Finish
White (Standard)
Other colors (Optional)

NOTE: Available in size 6"X6" to 24"X24"

Dimensions are in inches

MODEL L-JS1

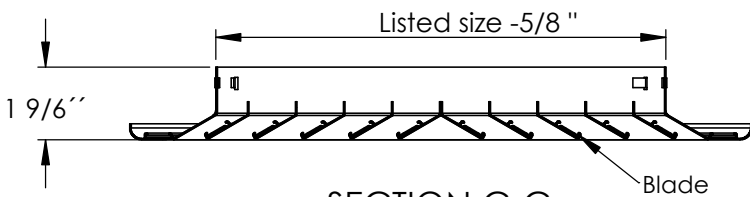
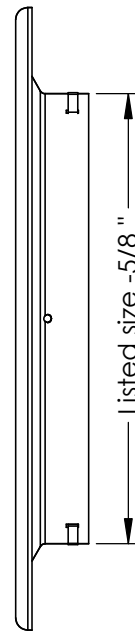
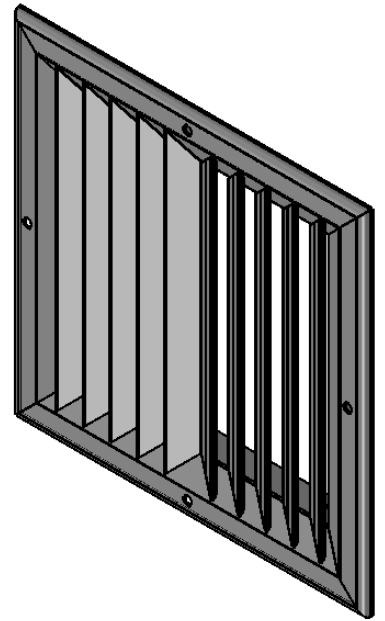
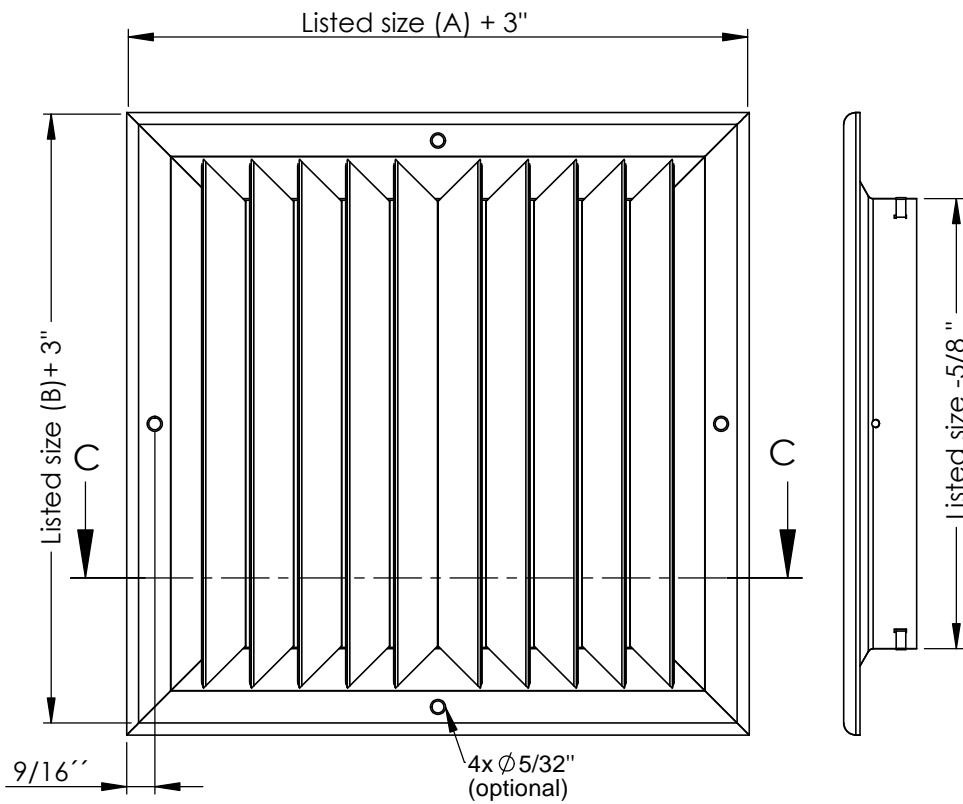
Extruded Aluminum

Job Name: _____
Location: _____

Architect: _____
Engineer: _____
Contractor: _____



MODEL L-JS2-180°



Finish
White (Standard)
Other colors (Optional)

SECTION C-C

Blade

NOTE: Available in size 6"X6" to 24"X24"

Dimensions are in inches

MODEL L-JS2-180°

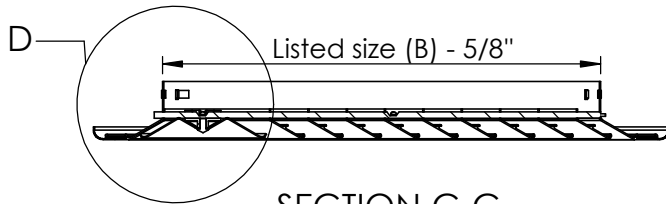
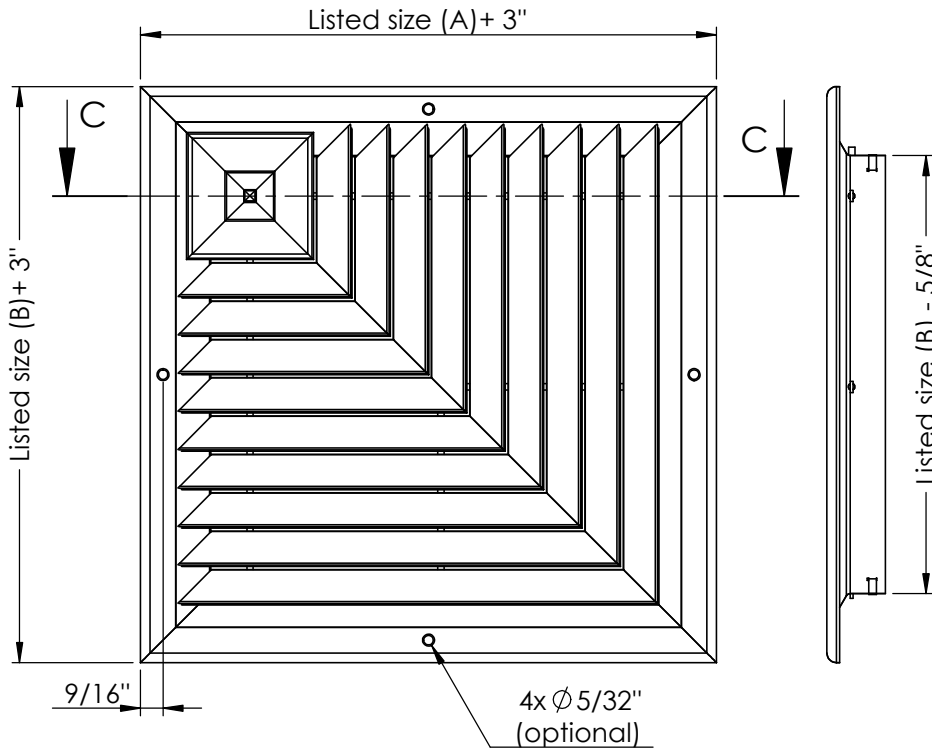
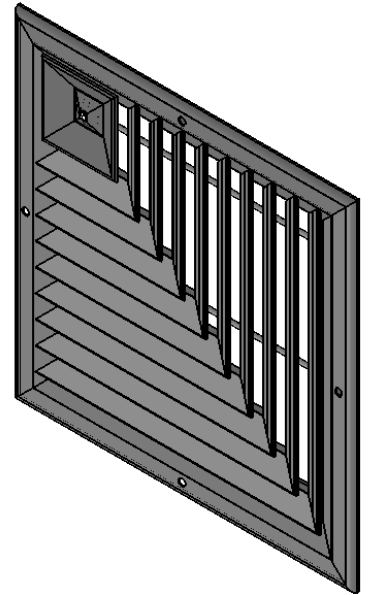
Extruded Aluminum

Job Name: _____
Location: _____

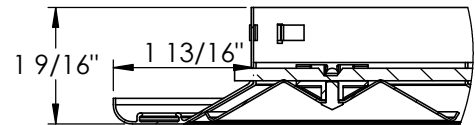
Architect: _____
Engineer: _____
Contractor: _____



MODEL L-JS2-90°



SECTION C-C
SCALE 1 : 5



DETAIL D
SCALE 2 : 5

Finish
White (Standard)
Other colors (Optional)

NOTE: Available in size 6"X6" to 24"X24"

Dimensions are in inches

MODEL L-JS2-90°

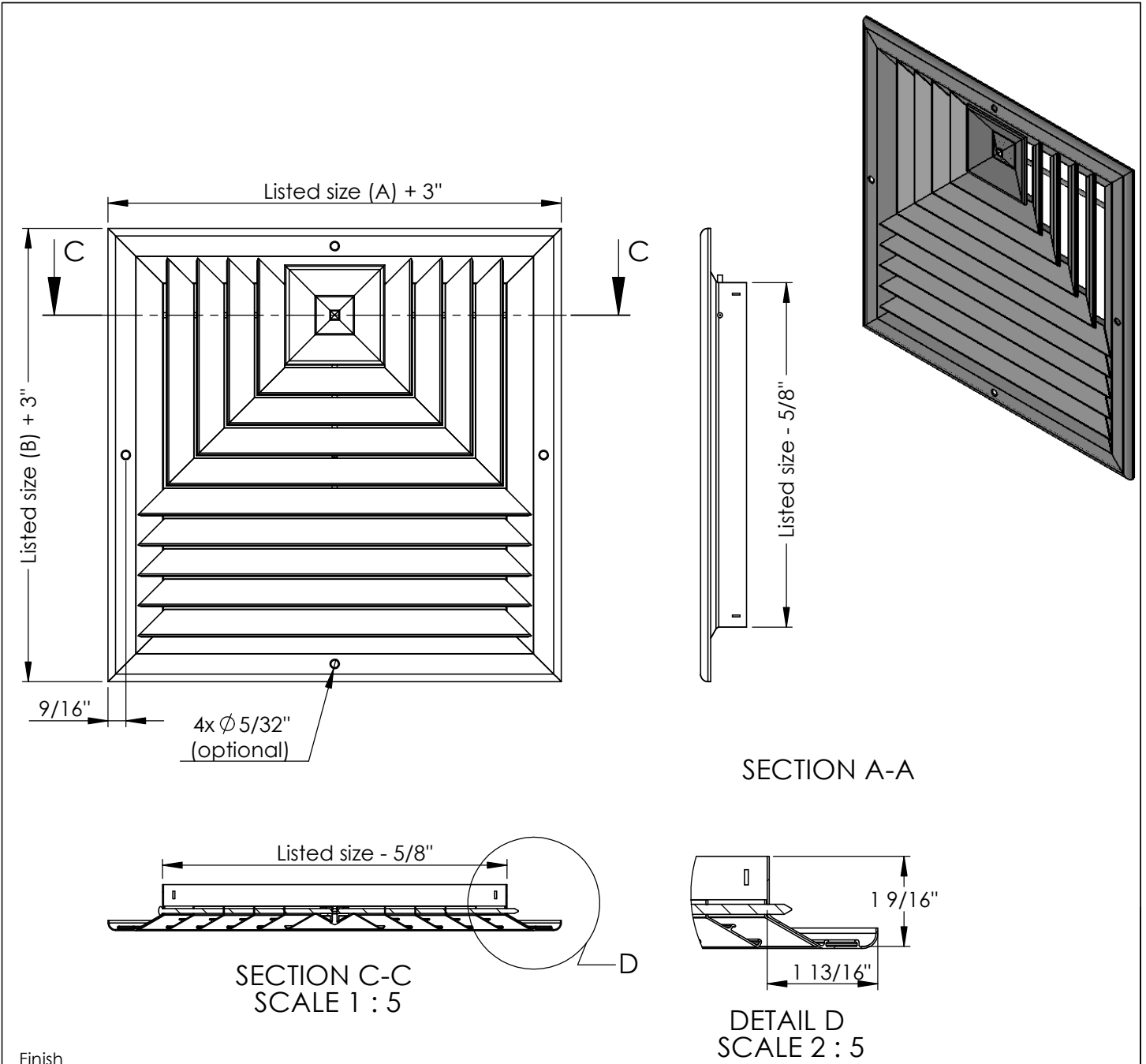
Extruded Aluminum

Job Name: _____
Location: _____

Architect: _____
Engineer: _____
Contractor: _____



MODEL L-JS3



SECTION A-A

SECTION C-C
SCALE 1 : 5

DETAIL D
SCALE 2 : 5

Finish
White (Standard)
Other colors (Optional)

NOTE: Available in size 6"X6" to 24"X24"

Dimensions are in inches

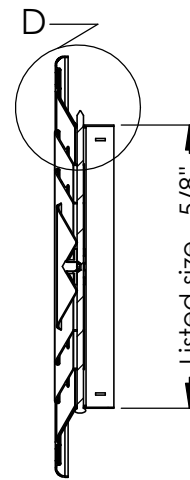
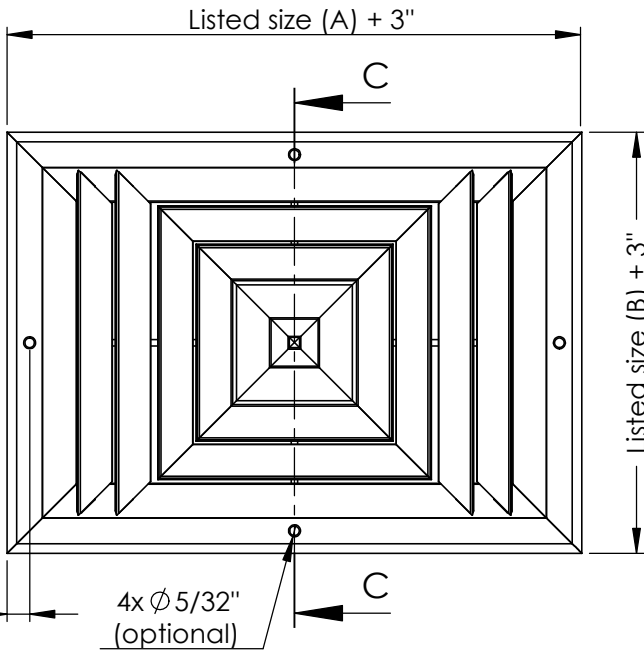
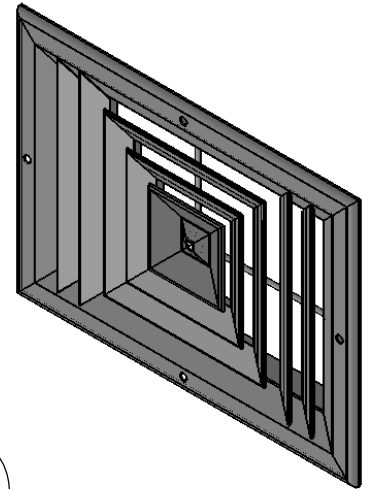
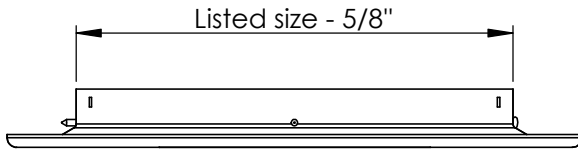
MODEL L-JS3

Extruded Aluminum

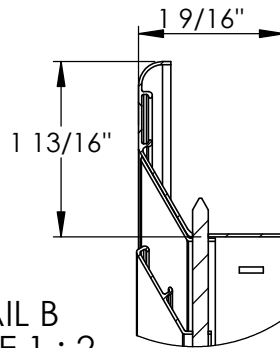
Job Name: _____	Architect: _____
Location: _____	Engineer: _____
	Contractor: _____



MODEL L-JS4-RECTANGULAR



SECTION A-A



DETAIL B
SCALE 1 : 2

Finish
White (Standard)
Other colors (Optional)

NOTE: Available in size 6"X6" to 24"X24"

Dimensions are in inches

MODEL L-JS4-RECTANGULAR

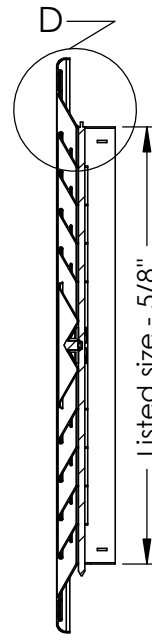
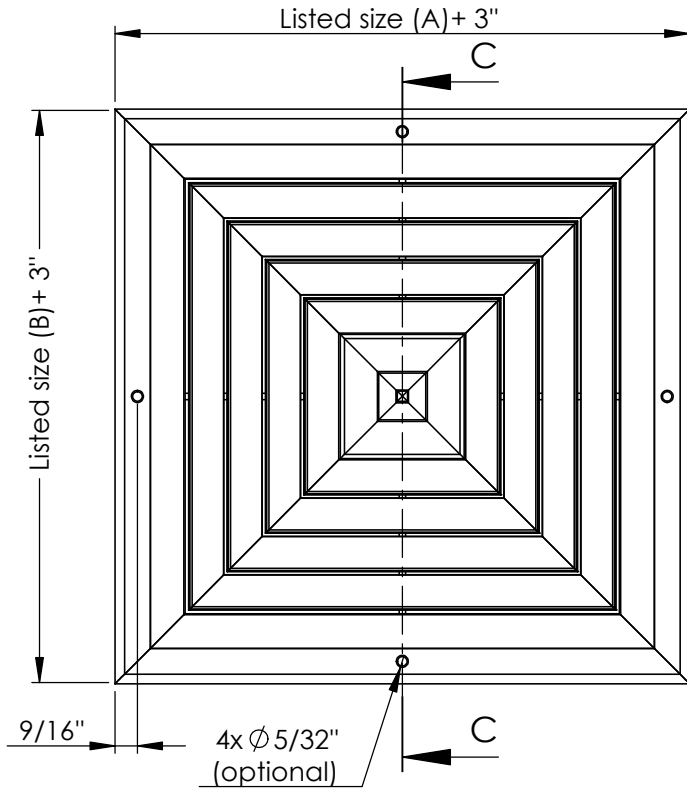
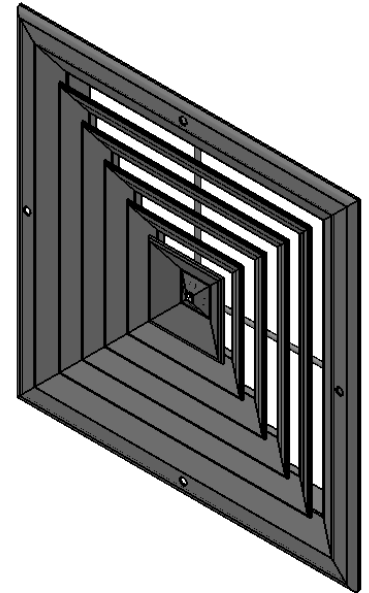
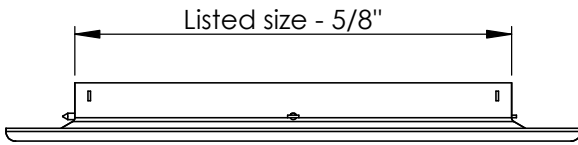
Extruded Aluminium

Job Name: _____
Location: _____

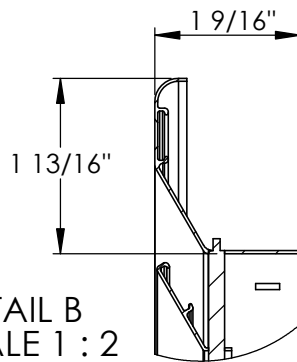
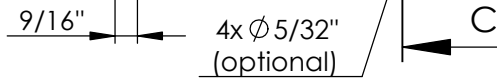
Architect: _____
Engineer: _____
Contractor: _____



MODEL L-JS4-SQUARE



SECTION C-C



DETAIL B
SCALE 1 : 2

Finish
White (Standard)
Other colors (Optional)

NOTE: Available in size 6"X6" to 24"X24"

Dimensions are in inches

MODEL L-JS4-SQUARE

Extruded Aluminum

Job Name: _____
Location: _____

Architect: _____
Engineer: _____
Contractor: _____