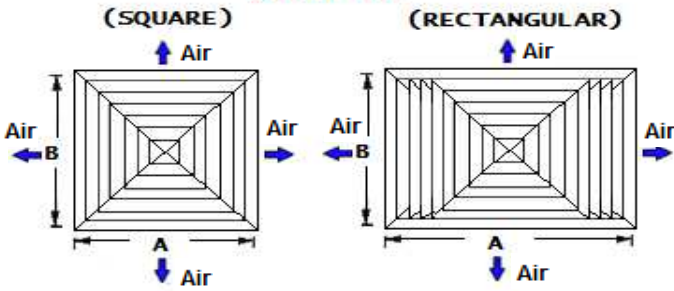


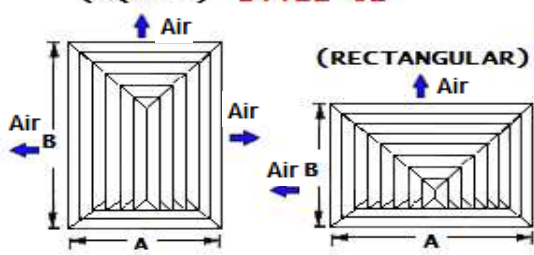
## L-AV - AIR FLOW DISTRIBUTION

CEILING DIFFUSERS

**L-AV-4**  
**STYLE 01**

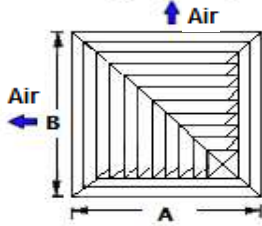


(SQUARE) **L-AV-3**  
**STYLE 02**

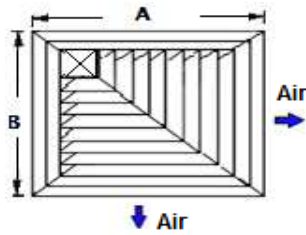


**L-AV-2-90°**

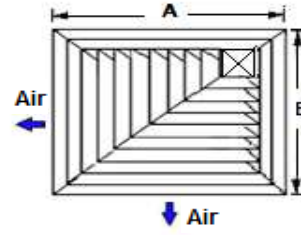
**STYLE 03**  
**(SQUARE)**



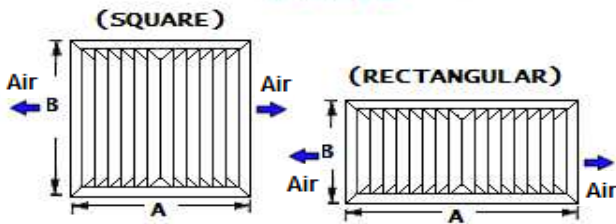
**STYLE 04**  
**(RIGHT)**



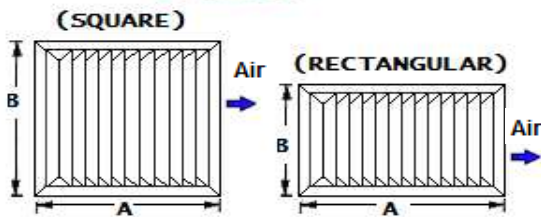
**STYLE 05**  
**(LEFT)**



**L-AV-2-180°**  
**STYLE 06**



**L-AV-1**  
**STYLE 07**

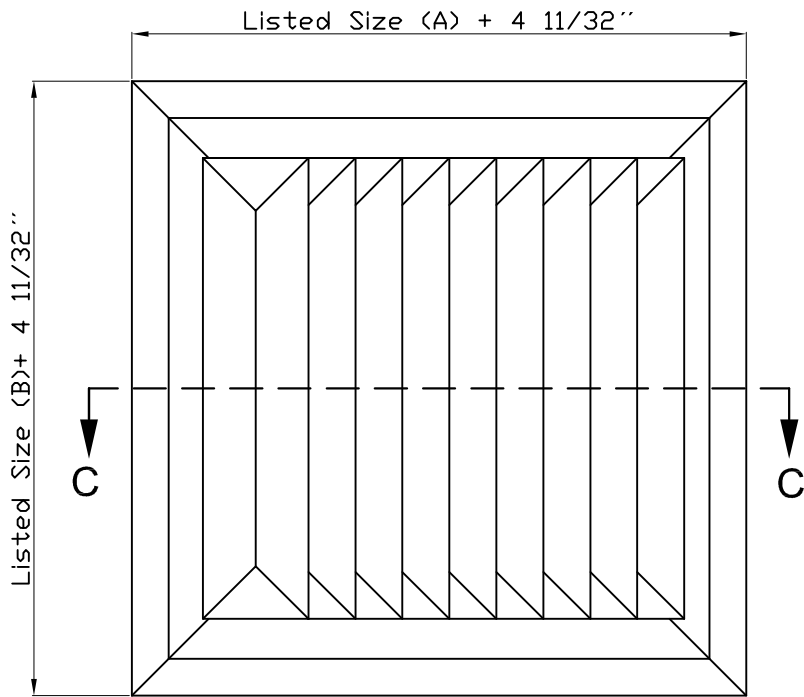


Criterio general de estilos, la medida del lado (A) SIEMPRE será la vía a anulada cuando se requiera.

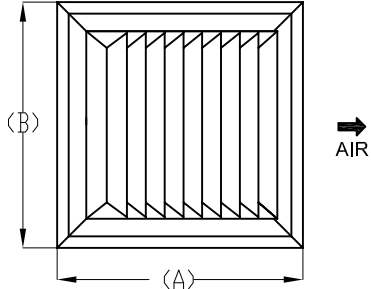


MODEL L-AV1-F

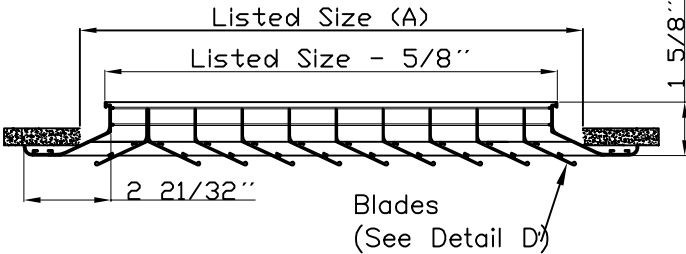
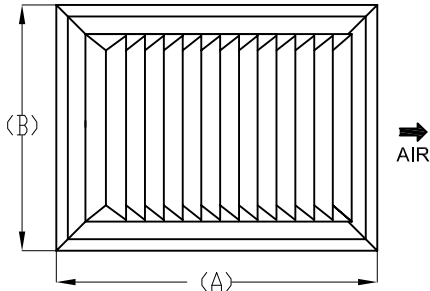
Air Pattern  
L-AV1-F



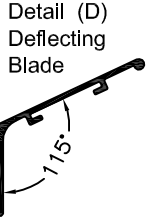
STYLE 07 (Square)



STYLE 07 (Rectangular)



SECTION C - C



Finish  
White (Standard)  
Other colors (Optional)

Note: Available in sizes (A)x(B): 6"x6" to 30"x30"  
Dimensions are in inches

MODEL L-AV1-F

Extruded Aluminum

Job Name: \_\_\_\_\_  
Location: \_\_\_\_\_

Architect: \_\_\_\_\_  
Engineer: \_\_\_\_\_  
Contractor: \_\_\_\_\_



**LAMINAIRE**<sup>®</sup>

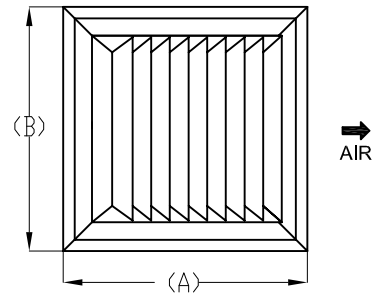
Grilles, Diffusers and A/C Accessories

Submittal

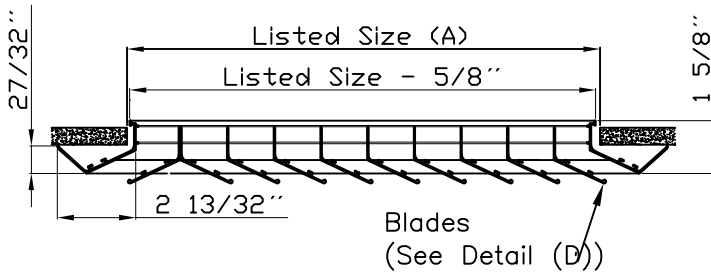
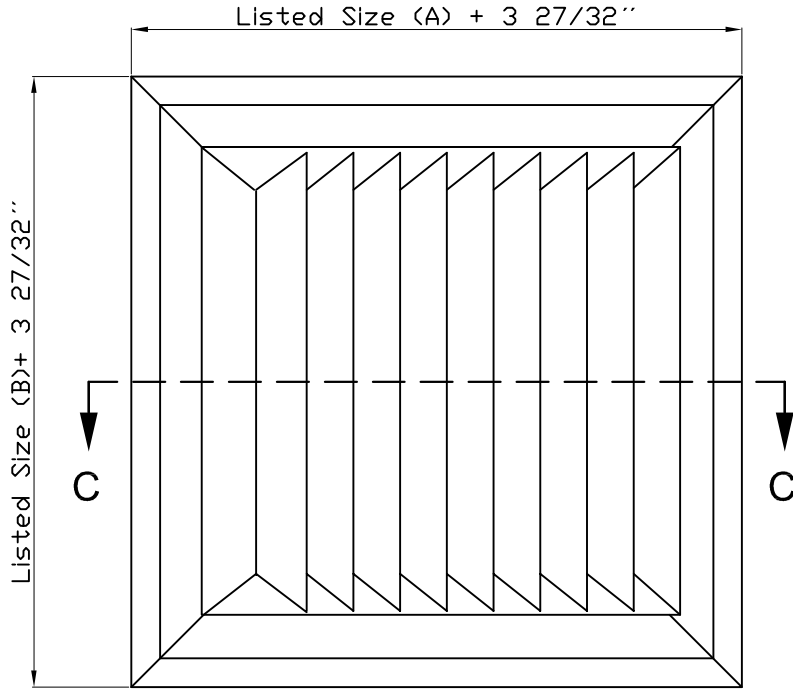
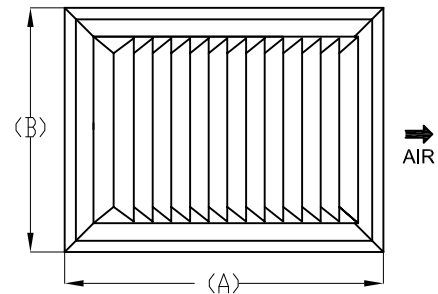
MODEL L-AV1-S

Air Pattern  
L-AV1-S

STYLE 07 (Square)



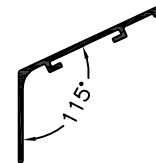
STYLE 07 (Rectangular)



SECTION C - C

Blades  
(See Detail (D))

Detail (D)  
Deflecting  
Blade



Finish  
White (Standard)  
Other colors (Optional)

Note: Available in sizes (A)x(B): 6"x6" to 30"x30"

Dimensions are in inches

MODEL L-AV1-S

Extruded Aluminum

Job Name: \_\_\_\_\_

Architect: \_\_\_\_\_

Location: \_\_\_\_\_

Engineer: \_\_\_\_\_

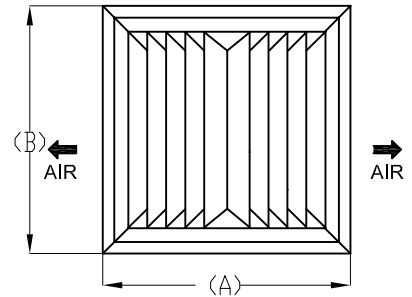
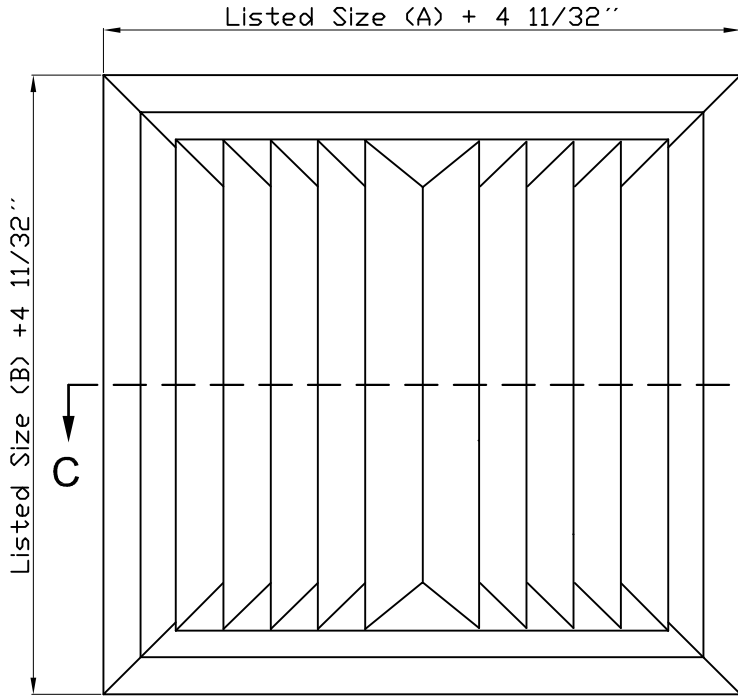
Contractor: \_\_\_\_\_



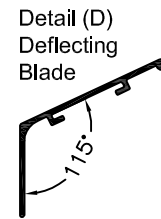
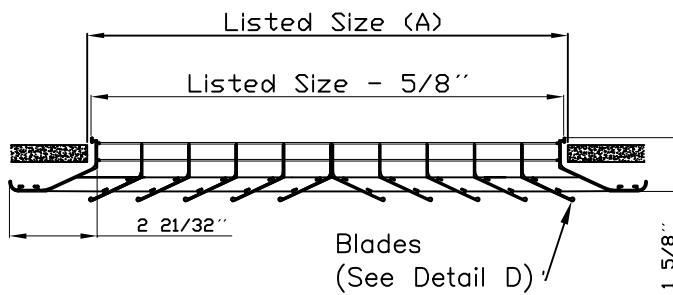
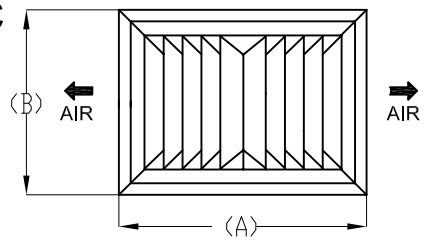
MODEL L-AV-2-180°-F

Air Pattern  
L-AV-2-180°-F

STYLE 06 (Square)



STYLE 06 (Rectangular)



SECTION C - C

Finish  
White (Standard)  
Other colors (Optional)

Note: Available in sizes (A)x(B): 6"x6" to 30"x30"  
Dimensions are in inches

MODEL L-AV-2-180°-F

Extruded Aluminum

Job Name: \_\_\_\_\_

Architect: \_\_\_\_\_

Location: \_\_\_\_\_

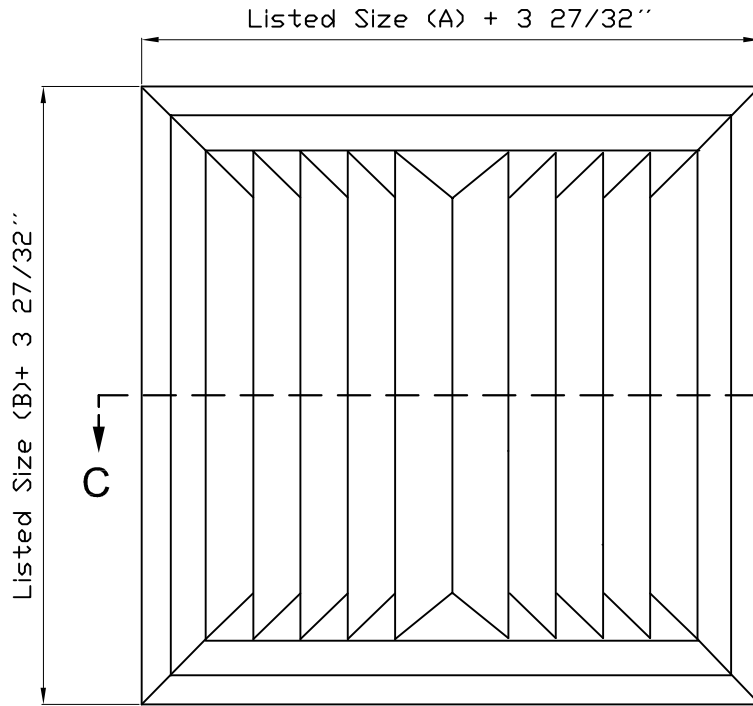
Engineer: \_\_\_\_\_

Contractor: \_\_\_\_\_

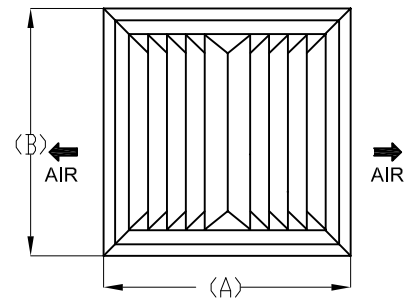


MODEL L-AV-2-180°-S

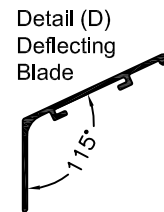
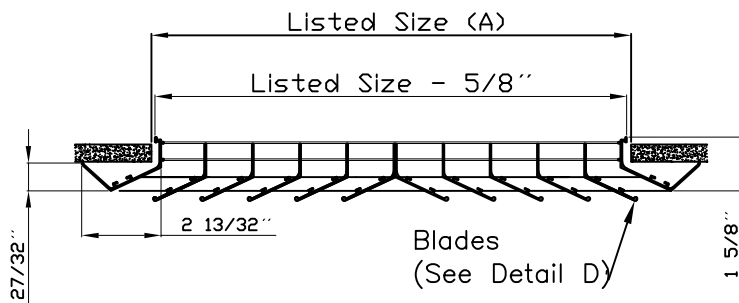
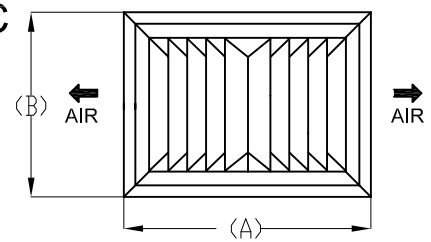
Air Pattern  
L-AV-2-180°-S



STYLE 06 (Square)



STYLE 06 (Rectangular)



Finish  
White (Standard)  
Other colors (Optional)

Note: Available in sizes (A)x(B): 6"x6" to 30"x30"  
Dimensions are in inches

MODEL L-AV-2-180°-S

Extruded Aluminum

Job Name: \_\_\_\_\_  
Location: \_\_\_\_\_

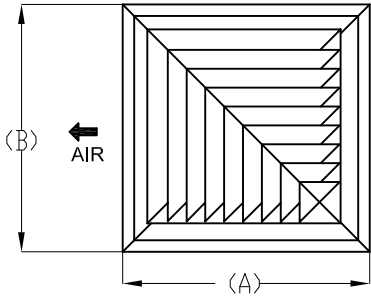
Architect: \_\_\_\_\_  
Engineer: \_\_\_\_\_  
Contractor: \_\_\_\_\_



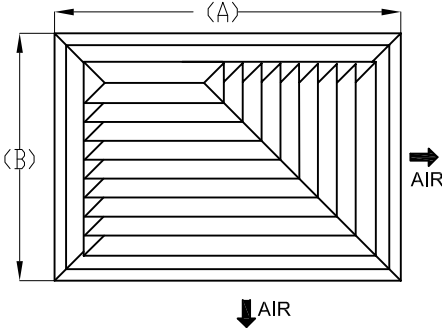
MODEL L-AV-2-90°-S

Air Pattern  
L-AV-2-90°-S

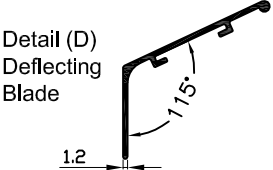
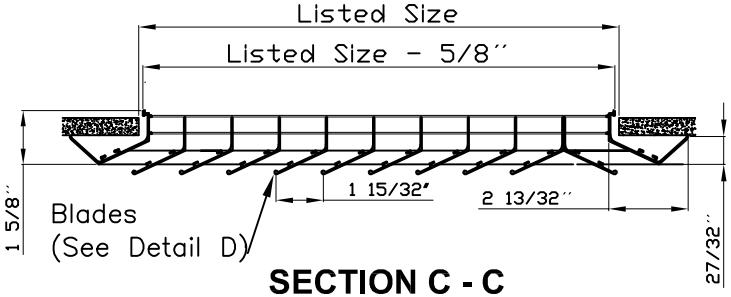
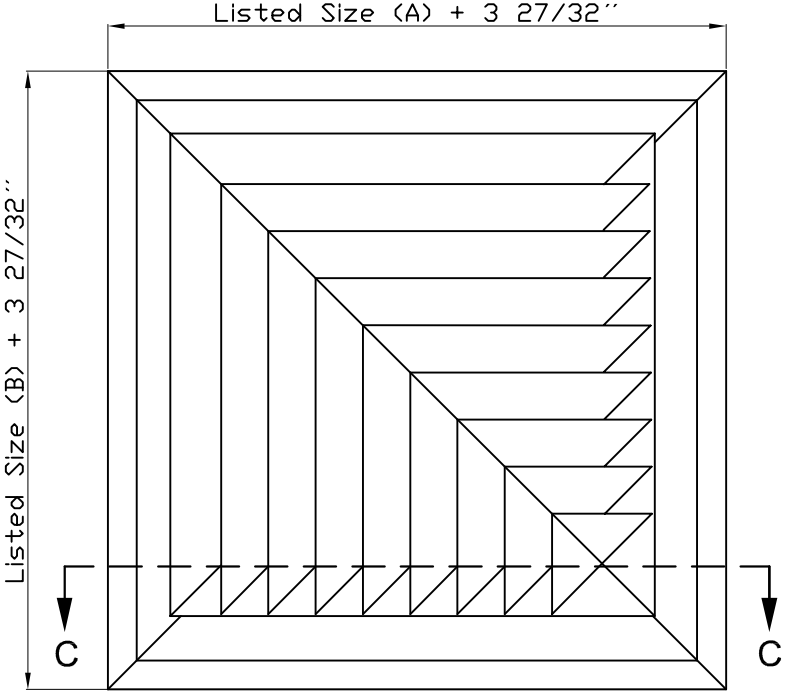
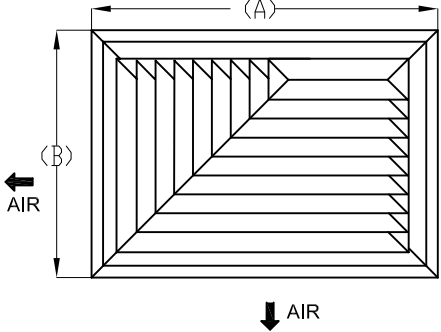
STYLE 03 (Square)



STYLE 04 (RIGHT)



STYLE 05 (LEFT)



Finish  
White (Standard)  
Other colors (Optional)

Note: Available in sizes (A)x(B): 6"x6" to 30"x30",  
multiples 3 on 3.

Dimensions are in inches

MODEL L-AV-2-90°-S

Extruded Aluminum

Job Name: \_\_\_\_\_

Location: \_\_\_\_\_

Architect: \_\_\_\_\_

Engineer: \_\_\_\_\_

Contractor: \_\_\_\_\_



**LAMINAIRE**<sup>®</sup>

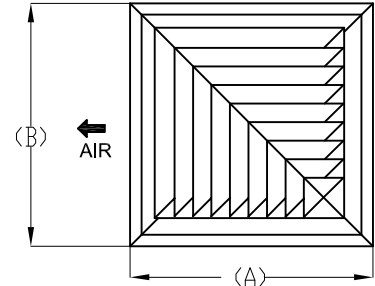
Grilles, Diffusers and A/C Accessories

Submittal

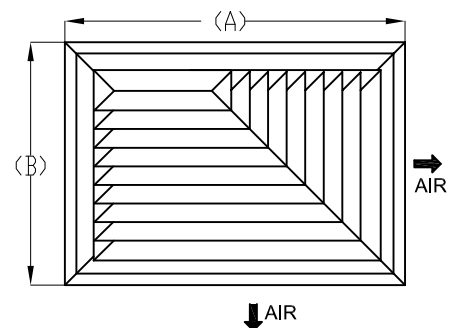
**MODEL L-AV-2-90°-S**

Air Pattern  
L-AV-2-90°-S

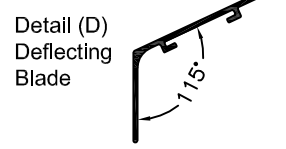
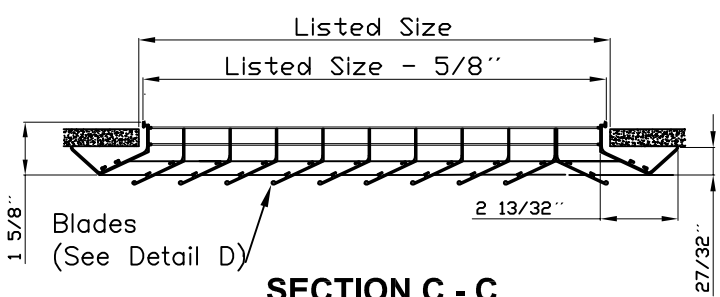
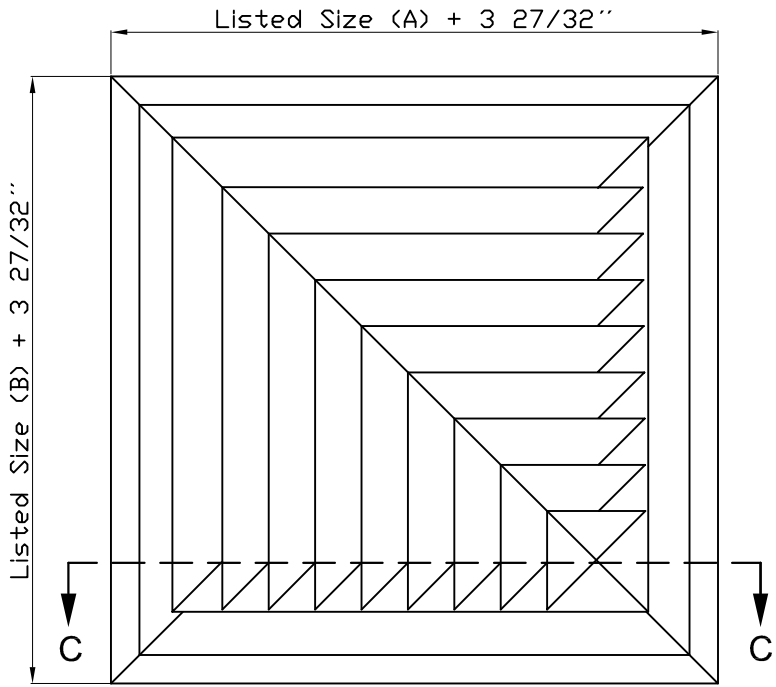
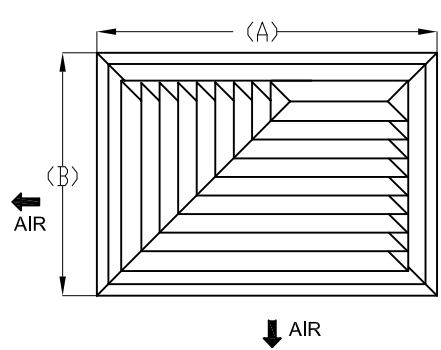
**STYLE 03 (Square)**



**STYLE 04 (RIGHT)**



**STYLE 05 (LEFT)**



Finish  
White (Standard)  
Other colors (Optional)

Note: Available in sizes (A)x(B): 6"x6" to 30"x30"

Dimensions are in inches

**MODEL L-AV-2-90°-S**

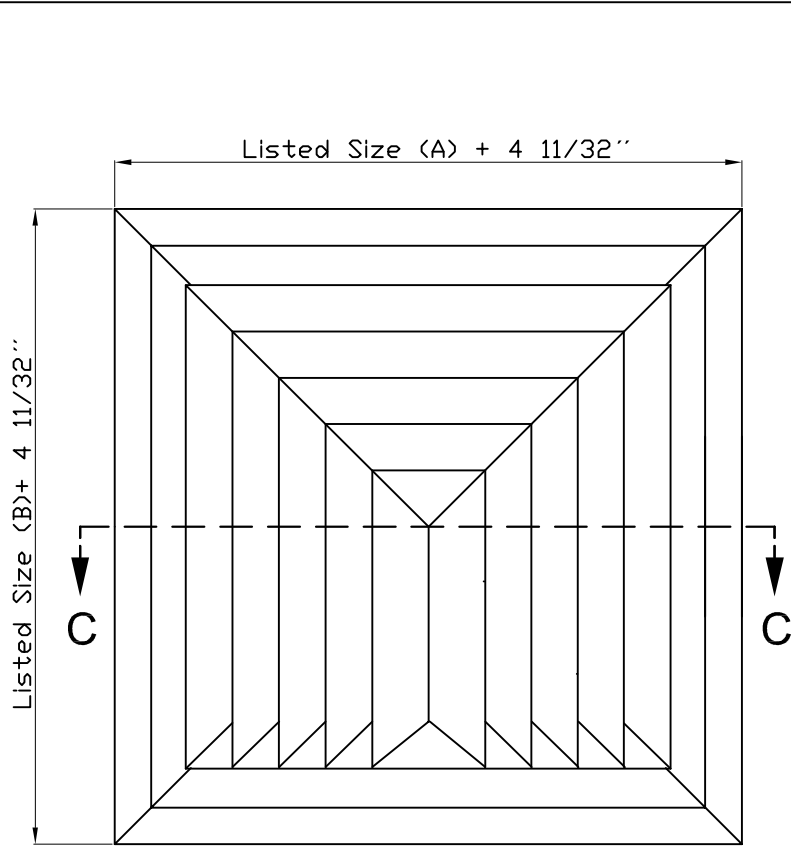
**Extruded Aluminum**

Job Name: \_\_\_\_\_  
Location: \_\_\_\_\_

Architect: \_\_\_\_\_  
Engineer: \_\_\_\_\_  
Contractor: \_\_\_\_\_

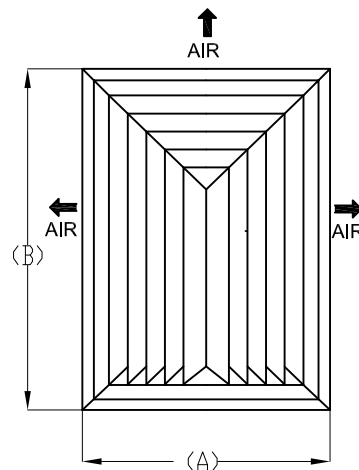


MODEL L-AV-3-F

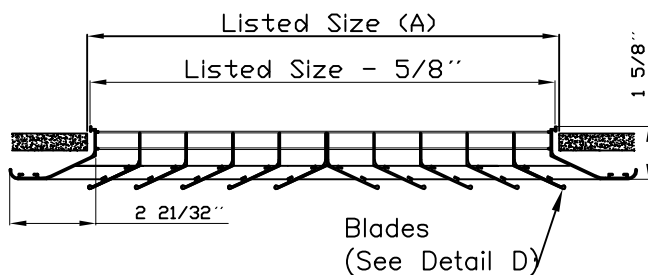
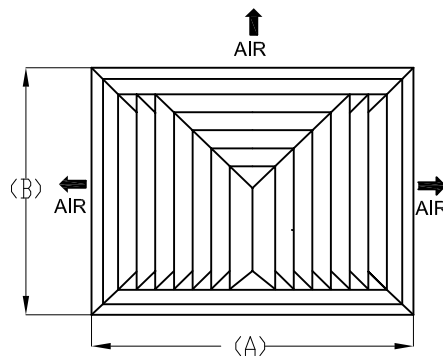


Air Pattern  
L-AV-3-F

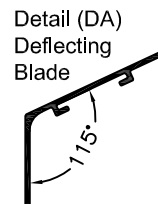
STYLE 02 (Square)



STYLE 02 (Rectangular)



SECTION C - C



Finish  
White (Standard)  
Other colors (Optional)

Note: Available in sizes (A)x(B): 6"x6" to 30"x30"

Dimensions are in inches

MODEL L-AV-3-F

Extruded Aluminum

Job Name: \_\_\_\_\_

Architect: \_\_\_\_\_

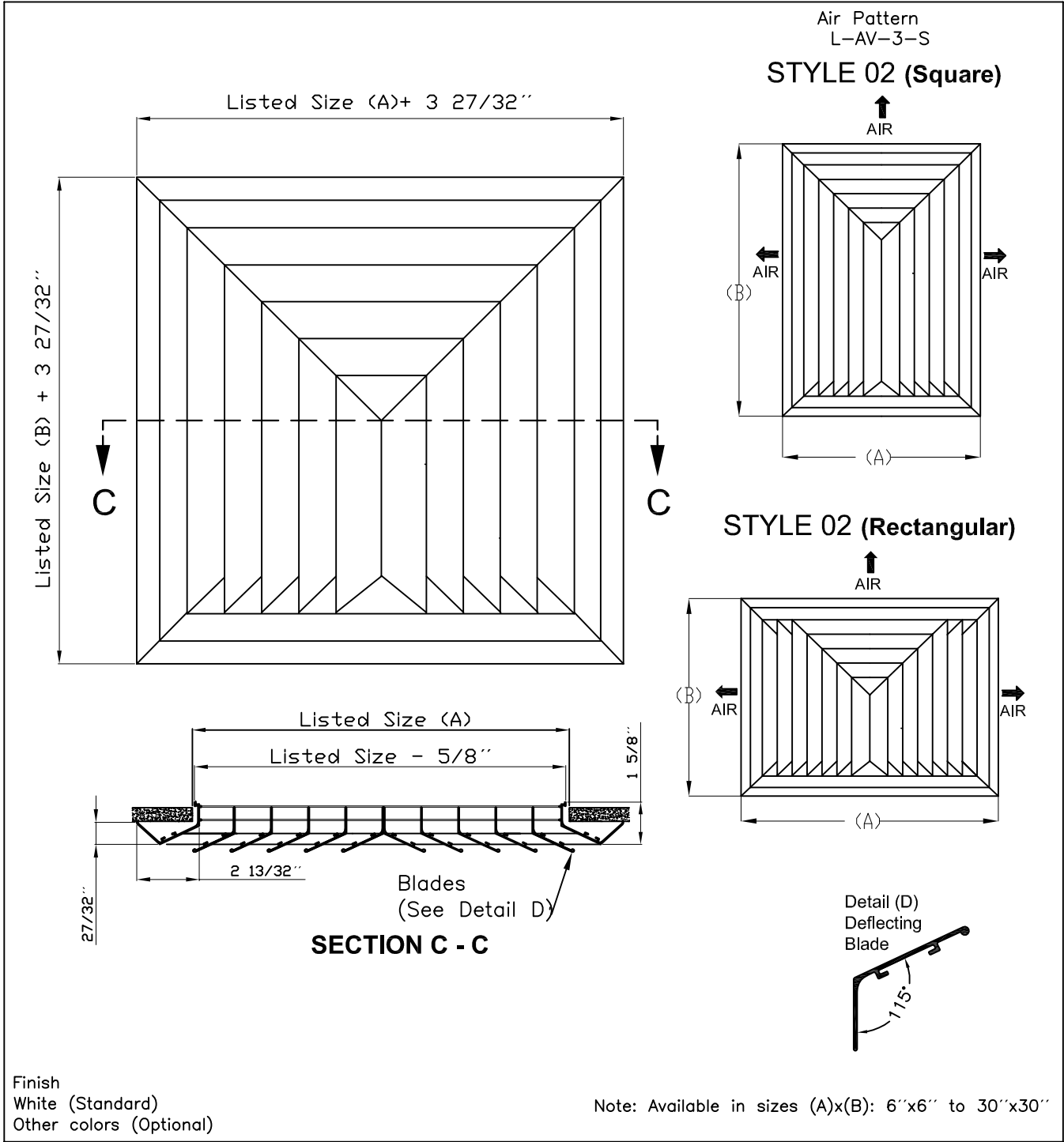
Location: \_\_\_\_\_

Engineer: \_\_\_\_\_

Contractor: \_\_\_\_\_



MODEL L-AV-3-S



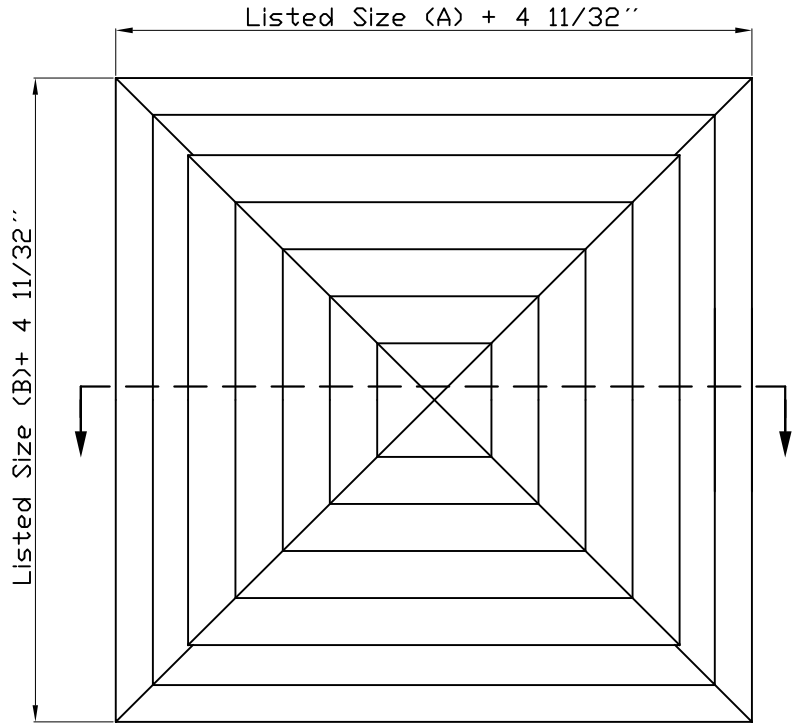
MODEL L-AV-3-S

Extruded Aluminum

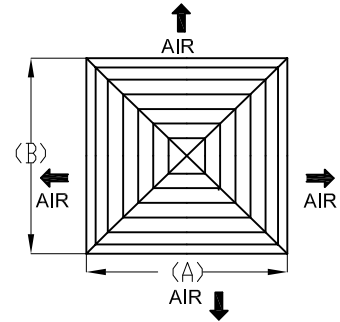
Job Name: \_\_\_\_\_  
Location: \_\_\_\_\_

Architect: \_\_\_\_\_  
Engineer: \_\_\_\_\_  
Contractor: \_\_\_\_\_

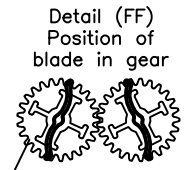
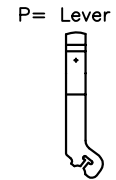
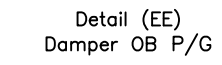
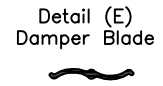
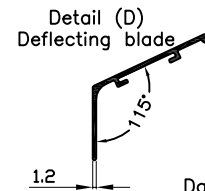
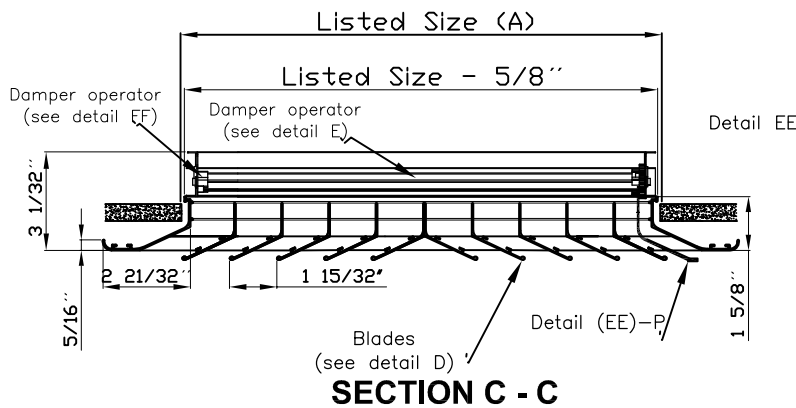
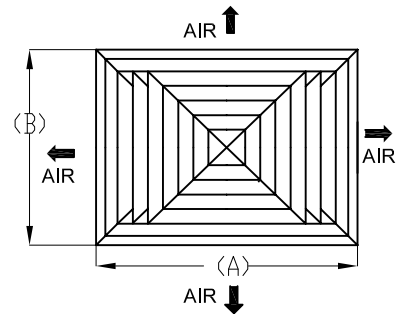
MODEL L-AV-4-F-OB



STYLE 01 (Square)



STYLE 01 (Rectangular)



Finish  
White (Standard)  
Other colors (Optional)

Note: Available in sizes (A)x(B): 6"x6" to 30"x30", multiples 3 on 3.  
Material : polypropylene

Dimensions are in inches

MODEL L-AV-4-F-OB

Extruded Aluminum

Job Name: \_\_\_\_\_

Architect: \_\_\_\_\_

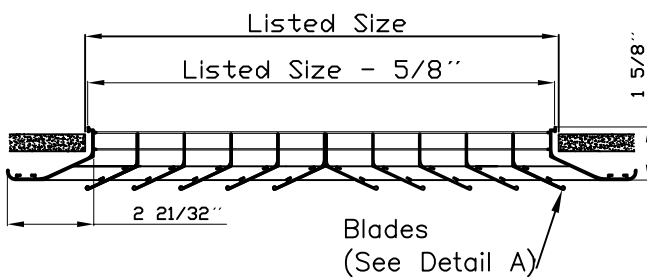
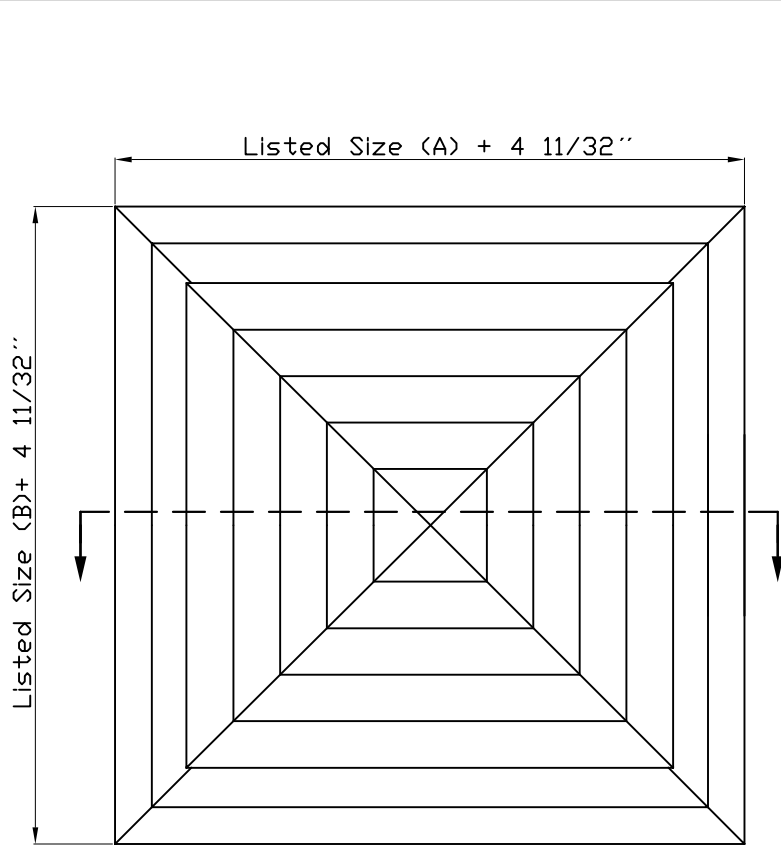
Location: \_\_\_\_\_

Engineer: \_\_\_\_\_

Contractor: \_\_\_\_\_

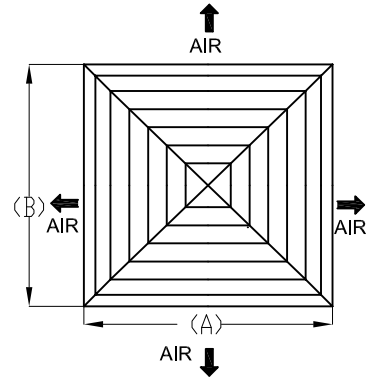


MODEL L-AV-4-F

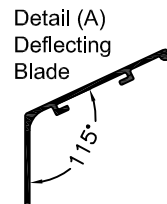
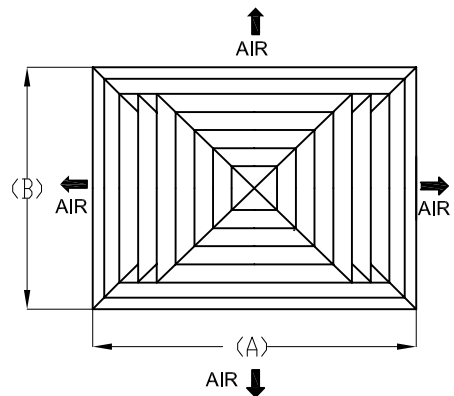


SECTION C - C

Air Pattern  
L-AV-4-F  
**STYLE 01 (Square)**



**STYLE 01 (Rectangular)**



Finish  
White (Standard)  
Other colors (Optional)

Note: Available in sizes (A)x(B): 6"x6" to 30"x30"  
Dimensions are in inches

MODEL L-AV-4-F

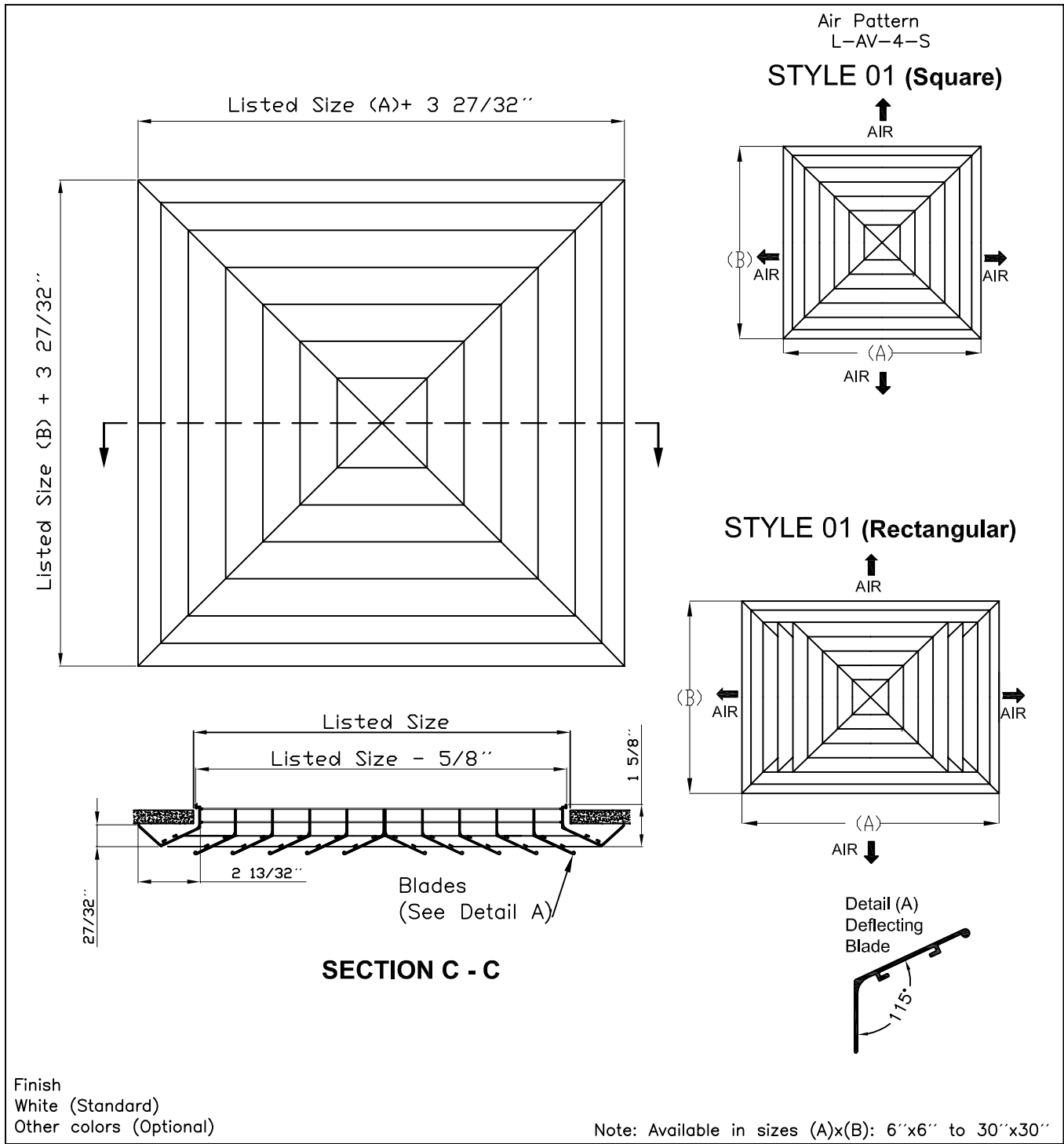
Extruded Aluminum

Job Name: \_\_\_\_\_  
Location: \_\_\_\_\_

Architect: \_\_\_\_\_  
Engineer: \_\_\_\_\_  
Contractor: \_\_\_\_\_



MODEL L-AV-4-S



MODEL L-AV-4-S

Extruded Aluminum

Job Name: \_\_\_\_\_

Location: \_\_\_\_\_

Architect: \_\_\_\_\_

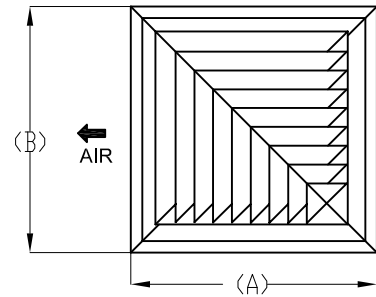
Engineer: \_\_\_\_\_

Contractor: \_\_\_\_\_

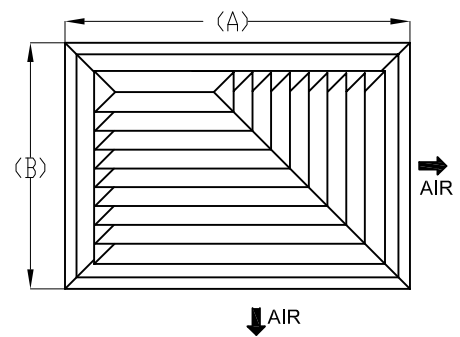
MODEL L-AV-2-90°-F

Air Pattern  
L-AV-2-90°-F

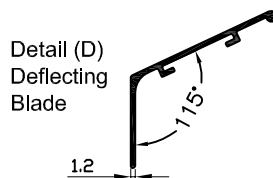
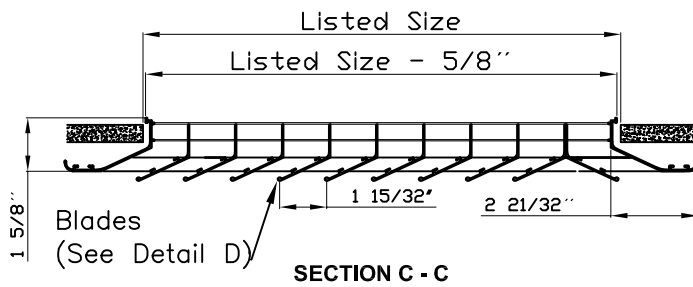
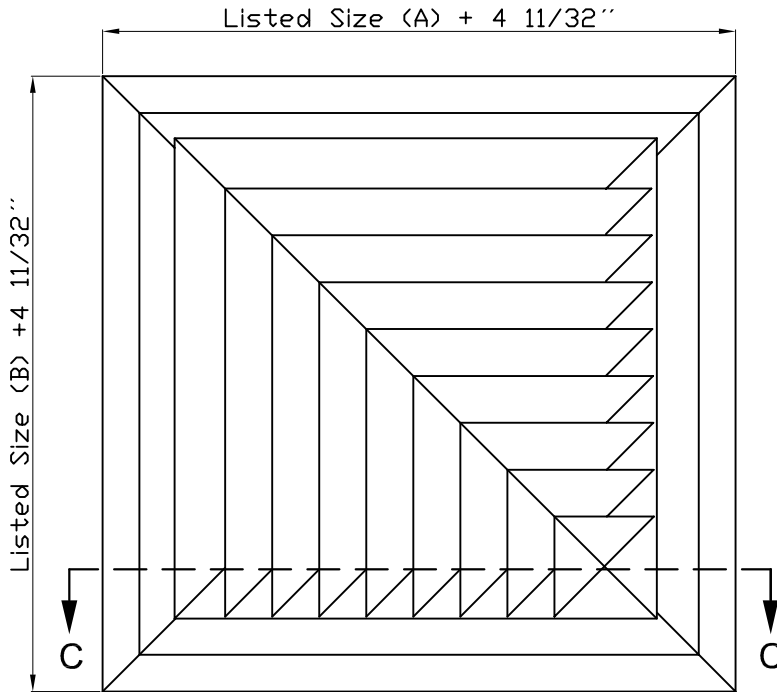
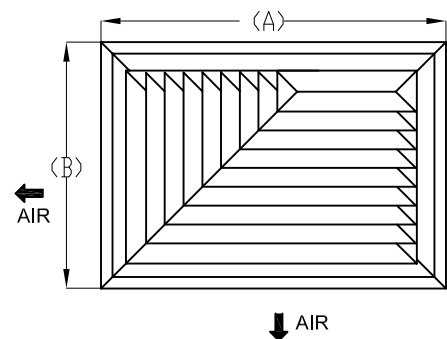
STYLE 03 (Square)



STYLE 04 (RIGHT)



STYLE 05 (LEFT)



Finish  
White (Standard)  
Other colors (Optional)

Note: Available in sizes (A)x(B): 6"x6" to 30"x30", multiples 3 on 3.

Dimensions are in inches

MODEL L-AV-2-90°-F

Extruded Aluminum

Job Name: \_\_\_\_\_  
Location: \_\_\_\_\_

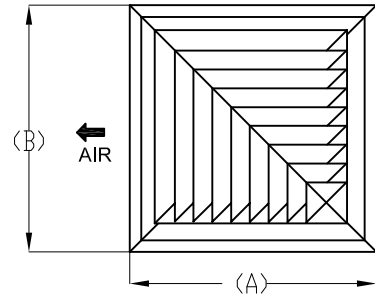
Architect: \_\_\_\_\_  
Engineer: \_\_\_\_\_  
Contractor: \_\_\_\_\_



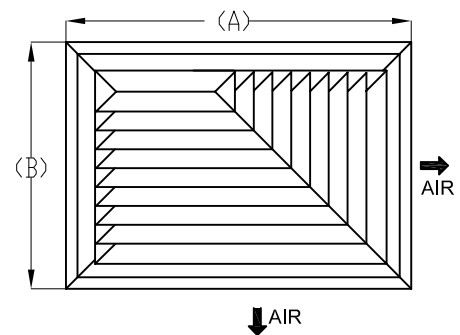
MODEL L-AV-2-90°-F

Air Pattern  
L-AV-2-90°-F

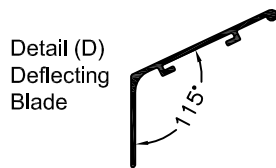
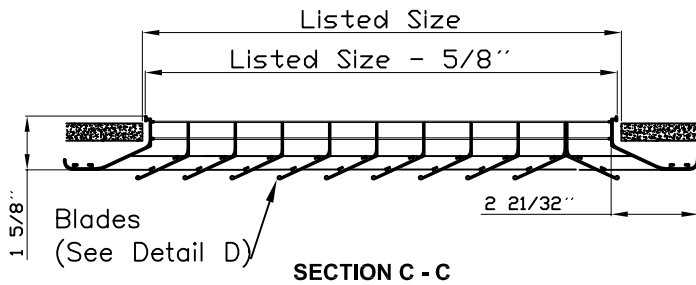
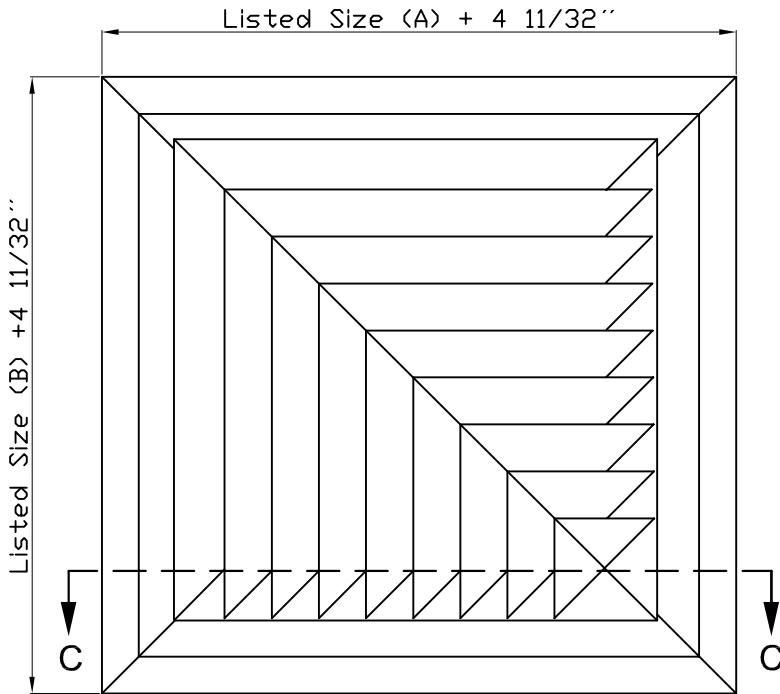
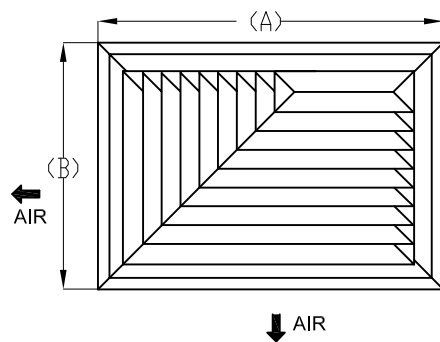
STYLE 03 (Square)



STYLE 04 (RIGHT)



STYLE 05 (LEFT)



Finish  
White (Standard)  
Other colors (Optional)

Note: Available in sizes (A)x(B): 6"x6" to 30"x30"

Dimensions are in inches

MODEL L-AV-2-90°-F

Extruded Aluminum

Job Name: \_\_\_\_\_  
Location: \_\_\_\_\_

Architect: \_\_\_\_\_  
Engineer: \_\_\_\_\_  
Contractor: \_\_\_\_\_