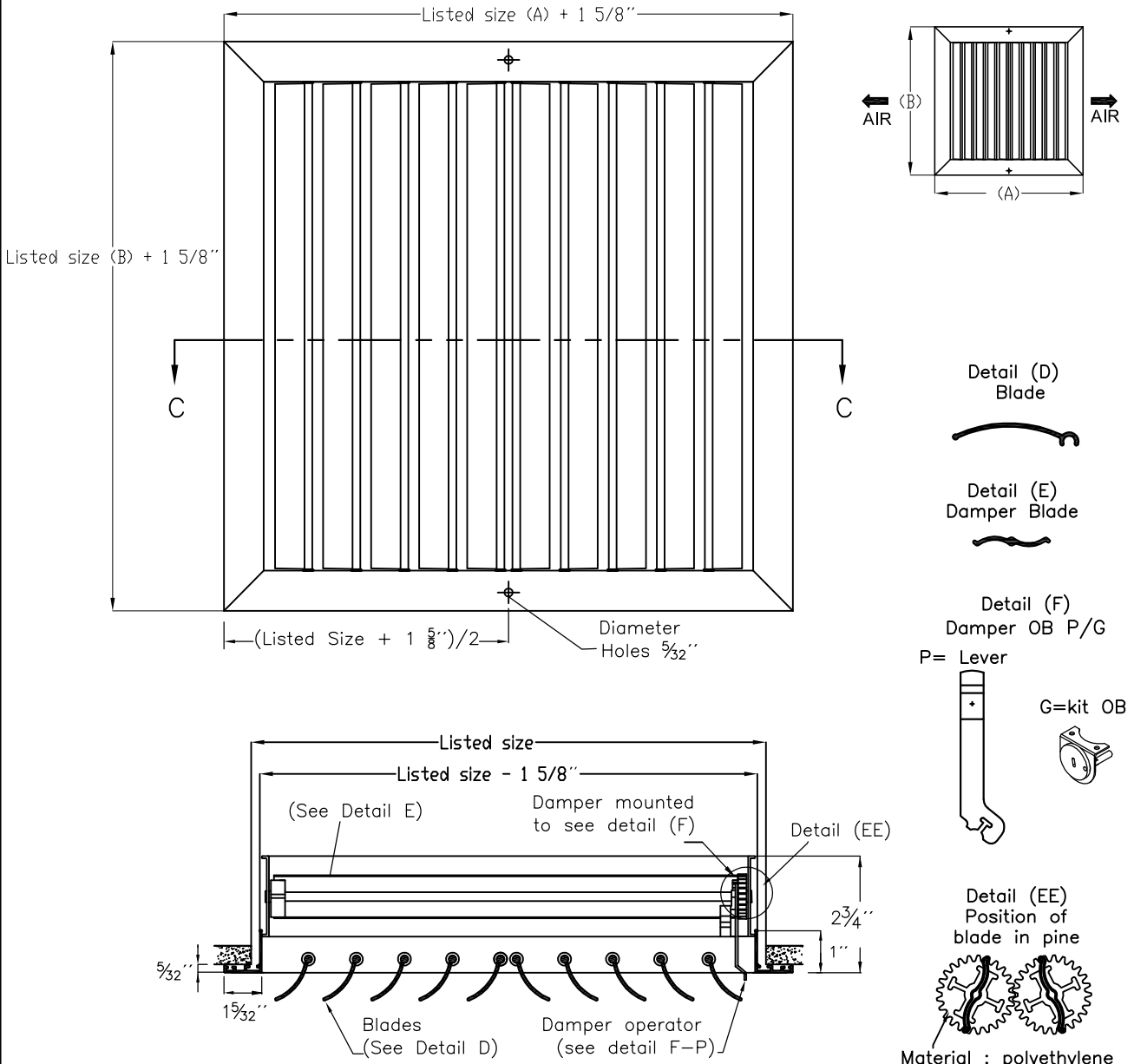




MODEL L-CL2-180°-OB

STYLE 05



Finish
White (Standard)
Other colors (Optional)

Section C - C

Note: Available in sizes (A)x(B)= 4"x4" to 24"x24"

Dimensions are in inches

MODEL L-CL2-180°-OB

Extruded Aluminum

Job Name: _____
Location: _____

Architect: _____
Engineer: _____
Contractor: _____



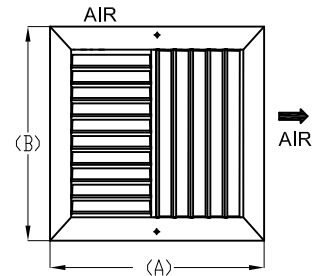
LAMINAIRE[®]

Grilles, Diffusers and A/C Accessories

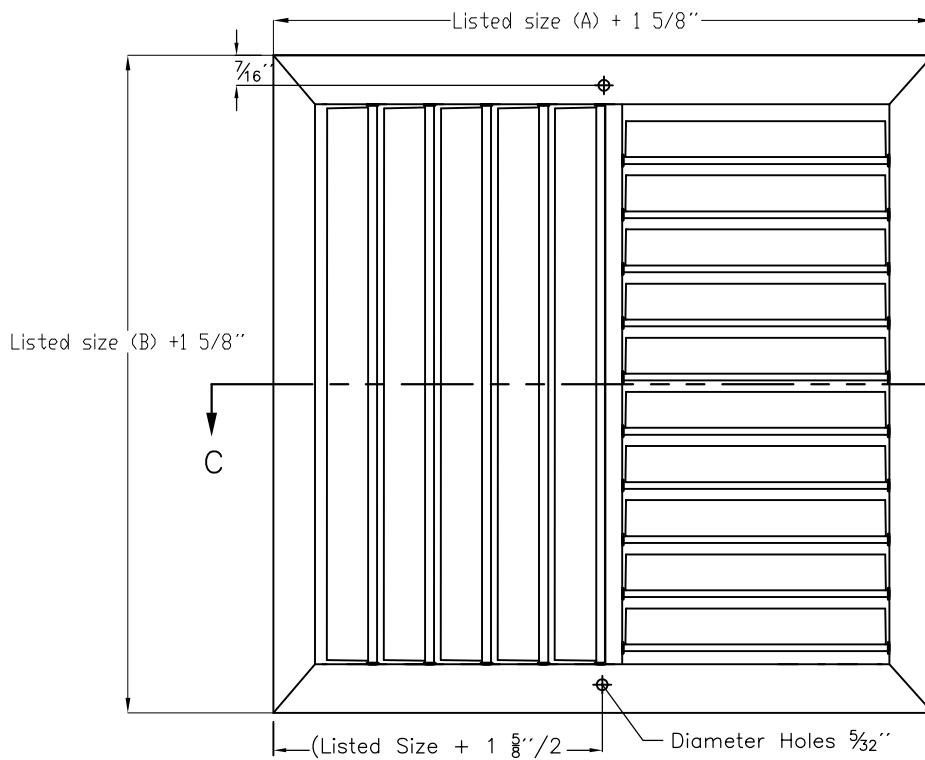
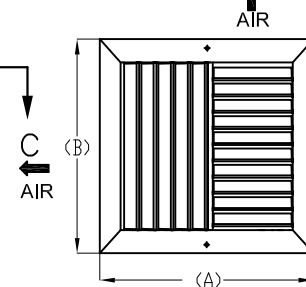
Submittal

MODEL L-CL2-90°-OB

STYLE 03 ↑



STYLE 04 ↑



Detail (D)
Blades

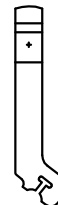


Detail (E)
Damper Blade



Detail (F)
Damper OB P/G

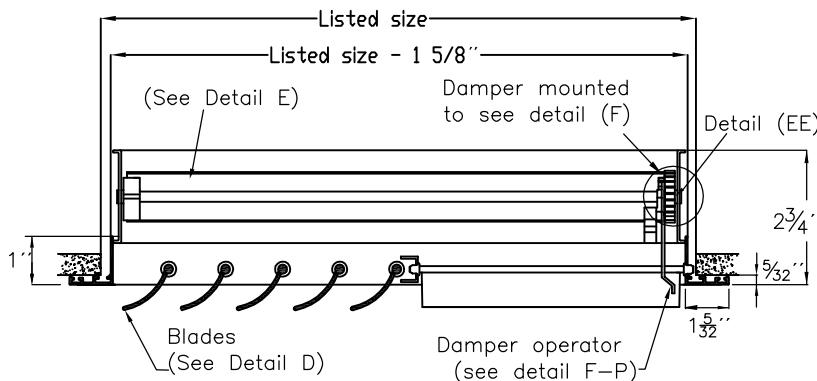
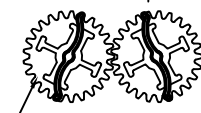
P= Lever



G=kit OB



Detail (EE)
Position of blade in pine



Section C - C

Finish
White (Standard)
Other colors (Optional)

Material : polyethylene

Note: Available in sizes (A)x(B)= 4''x4'' to 24''x24''
Dimensions are in inches

MODEL L-CL2-90°-OB

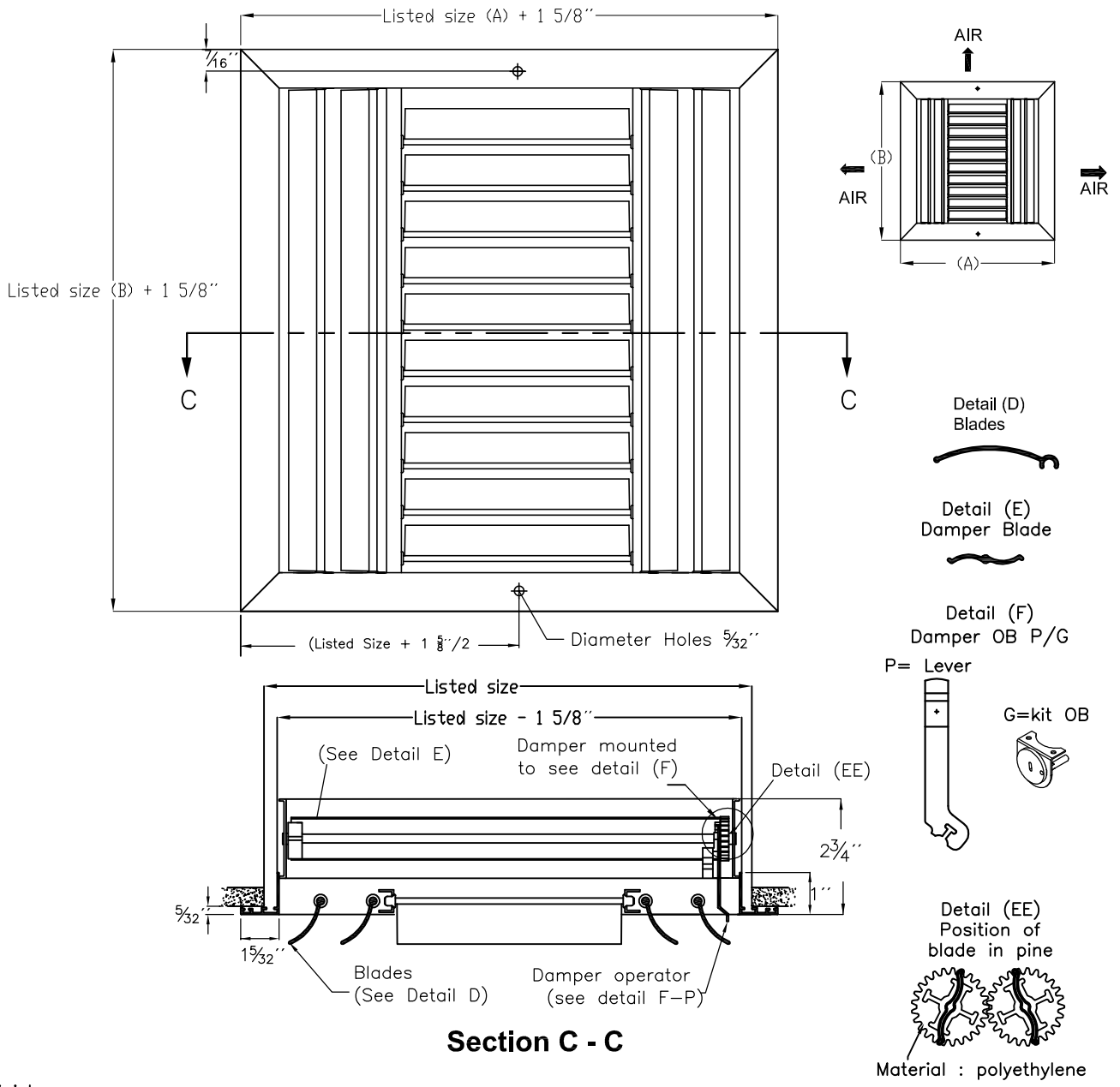
Extruded Aluminum

Job Name: _____
Location: _____

Architect: _____
Engineer: _____
Contractor: _____

MODEL L-CL3-OB

STYLE 02



Finish
 White (Standard)
 Other colors (Optional)

Note: Available in sizes(A)x(B)= 4"x4" to 24"x24"

Dimensions are in inches

MODEL L-CL3-OB

Extruded Aluminum

Job Name: _____
 Location: _____

Architect: _____
 Engineer: _____
 Contractor: _____

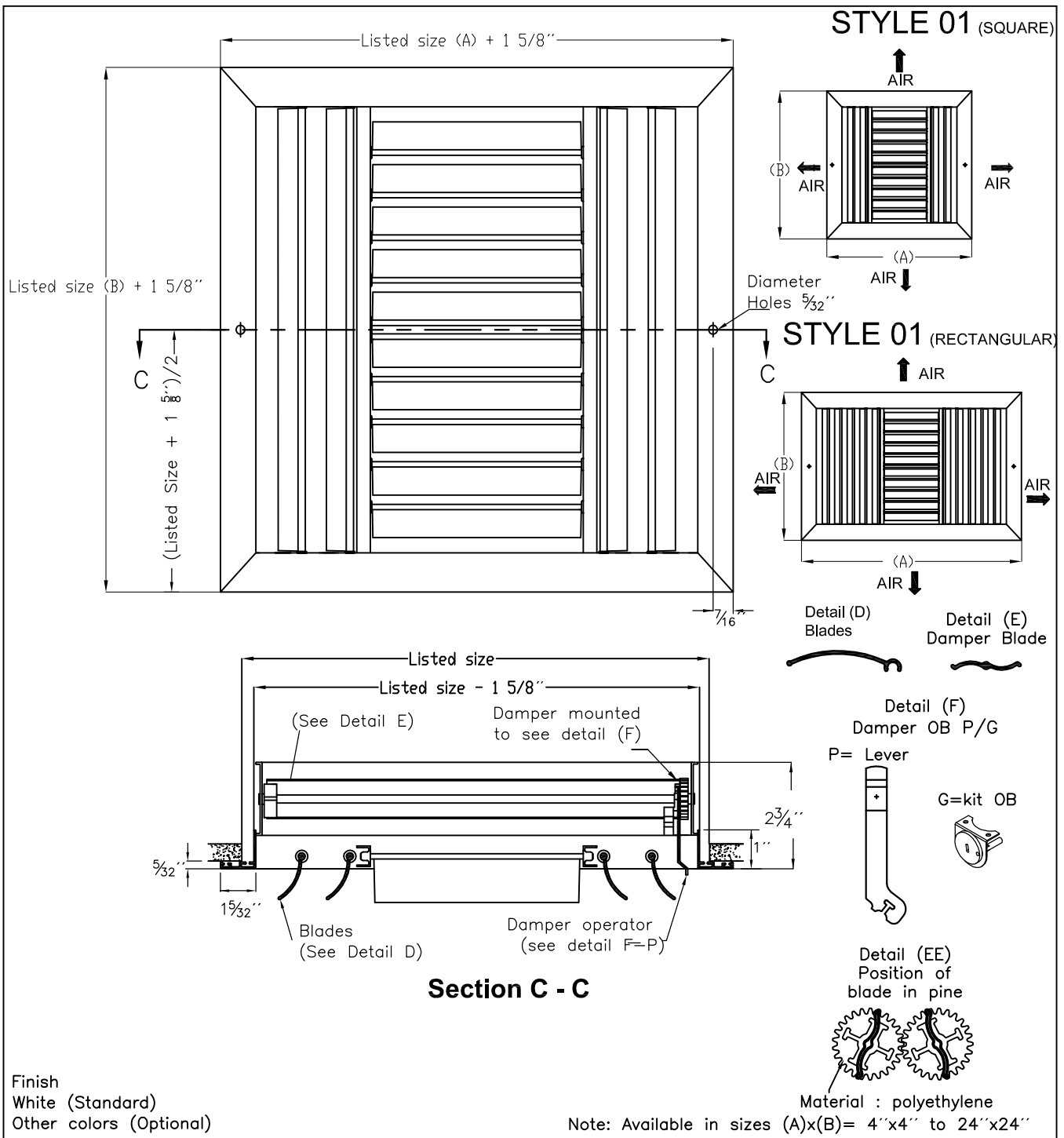


LAMINAIRE[®]

Grilles, Diffusers and A/C Accessories

Submittal

MODEL L-CL4-OB



Finish
 White (Standard)
 Other colors (Optional)

MODEL L-CL4-OB

Extruded Aluminum

Job Name: _____
 Location: _____

Architect: _____
 Engineer: _____
 Contractor: _____



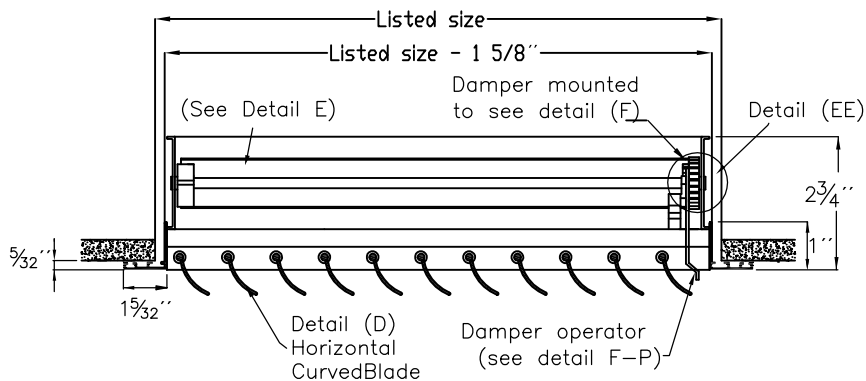
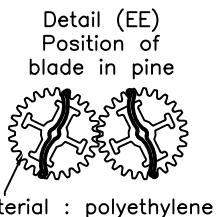
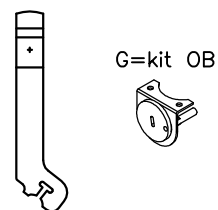
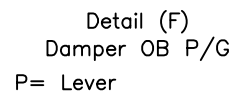
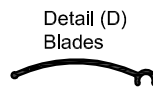
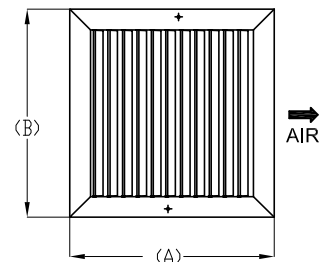
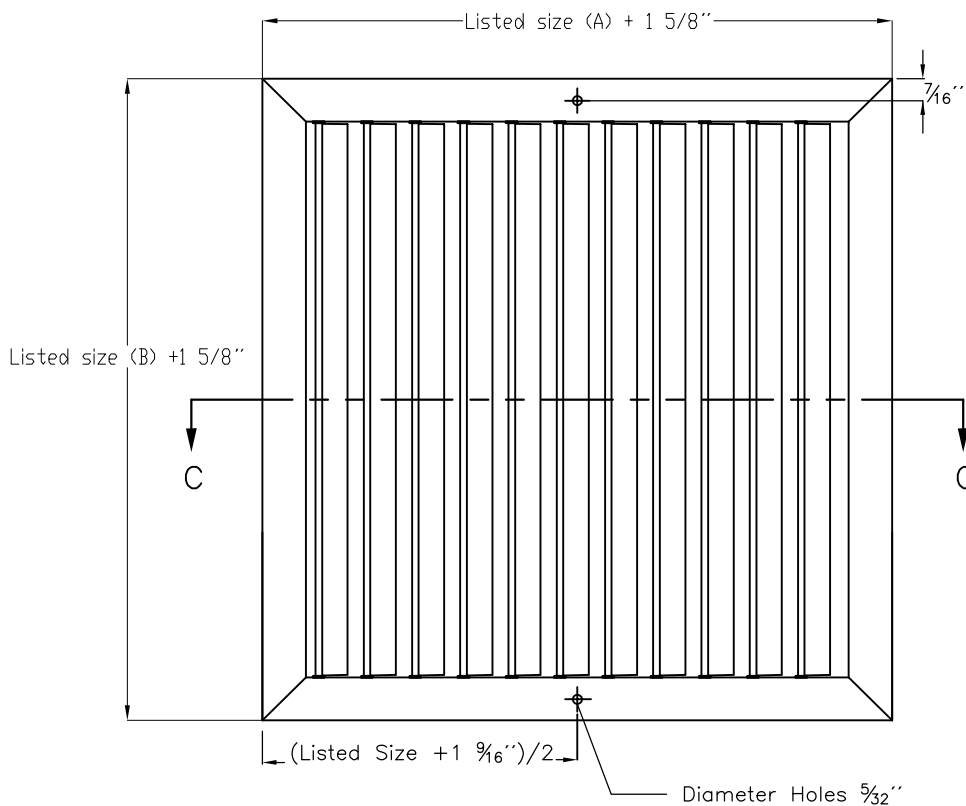
LAMINAIRE[®]

Grilles, Diffusers and A/C Accessories

Submittal

MODEL L-CL1-OB

STYLE 06



Section C - C

Finish
 White (Standard)
 Other colors (Optional)

Note: Available in sizes (A)x(B)= 4"x4" to 24"x24" _ SQUARE
 Available in sizes (A)x(B)= 4"x4" to 60"x24" _ RECTANGULAR

Dimensions are in inches

MODEL L- CL1-OB

With Multi-Shutter Damper

Extruded Aluminum

Job Name: _____

Architect: _____

Location: _____

Engineer: _____

Contractor: _____