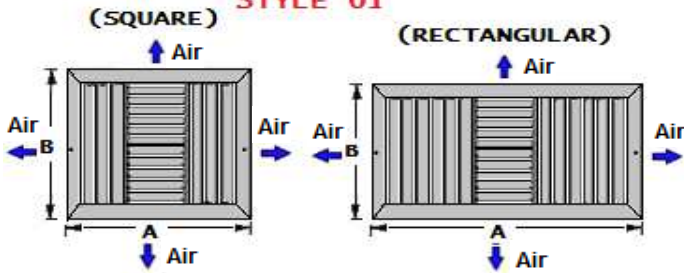


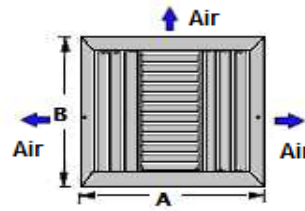
**L-CL - AIR FLOW DISTRIBUTION**

CEILING DIFFUSERS

**L-CL-4  
STYLE 01**

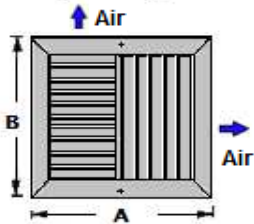


**L-CL-3  
STYLE 02**

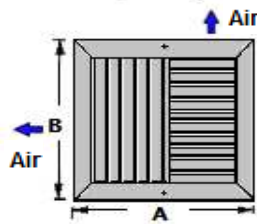


**L-CL-2-90°**

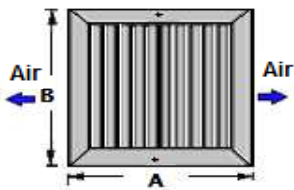
**STYLE 03  
(RIGHT)**



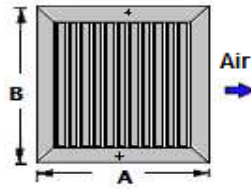
**STYLE 04  
(LEFT)**



**L-CL-2-180°  
STYLE 05**



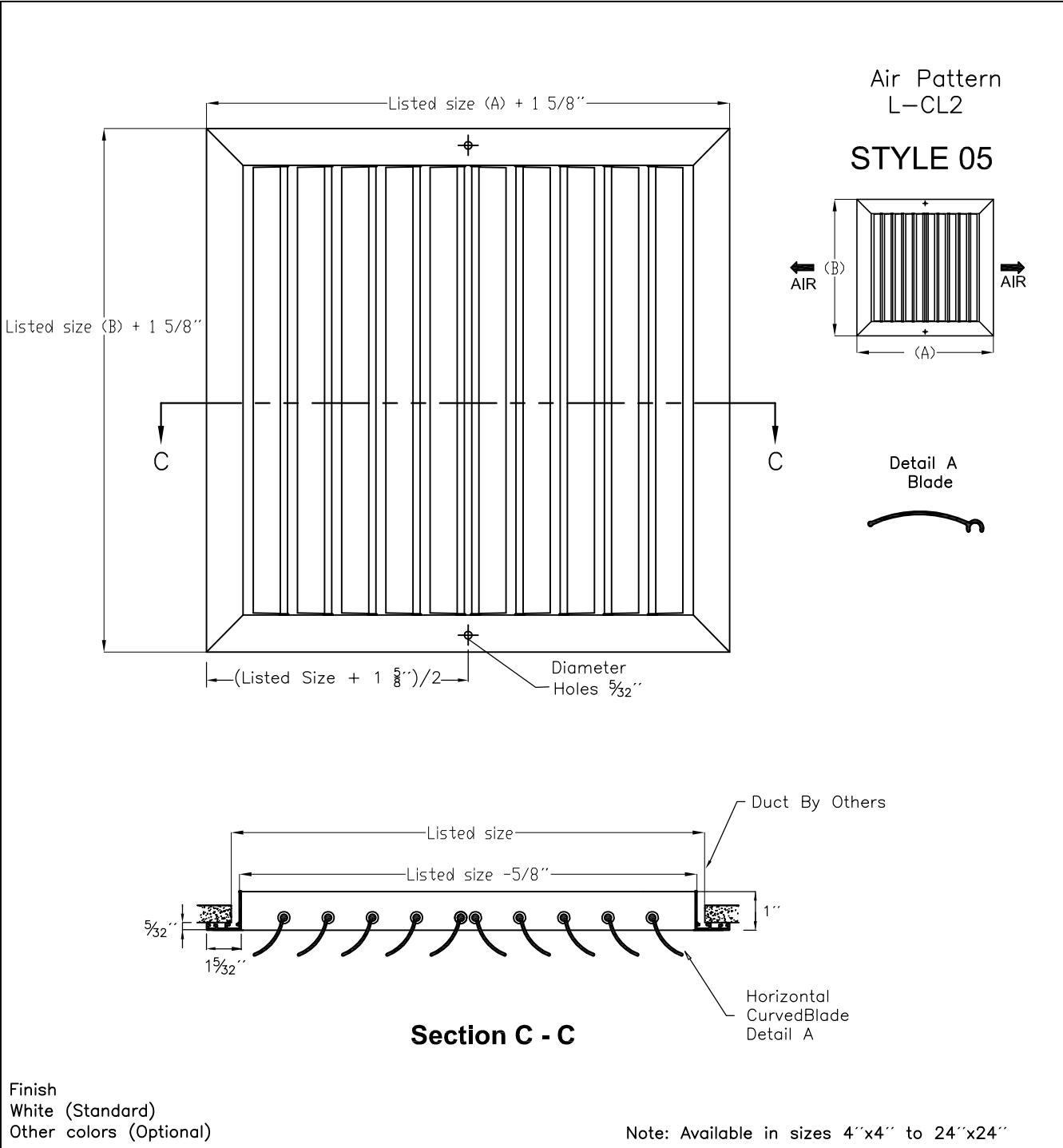
**L-CL-1  
STYLE 06**



Criterio general de estilos, la medida del lado (A) SIEMPRE será la vía a anulada cuando se requiera.



MODEL L-CL2-180°



Dimensions are in inches

MODEL L-CL2-180°

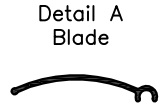
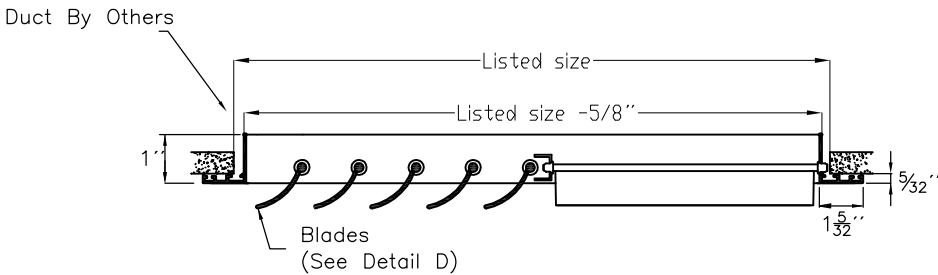
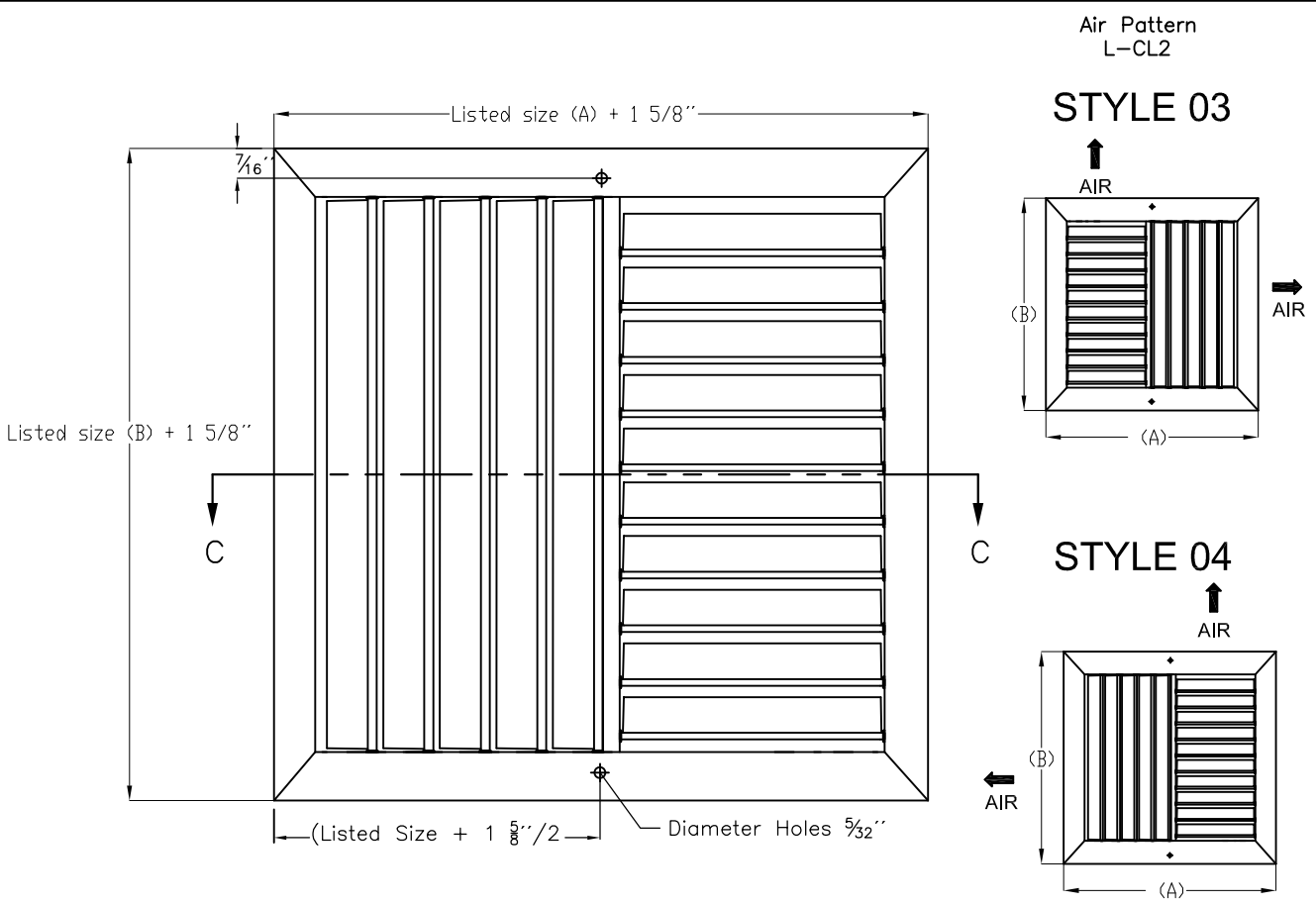
Extruded Aluminum

Job Name: \_\_\_\_\_  
Location: \_\_\_\_\_

Architect: \_\_\_\_\_  
Engineer: \_\_\_\_\_  
Contractor: \_\_\_\_\_



MODEL L-CL2-90°



Finish  
White (Standard)  
Other colors (Optional)

**Section C - C**

Note: Available in sizes 4"x4" to 24"x24"

Dimensions are in inches

MODEL L-CL2-90°

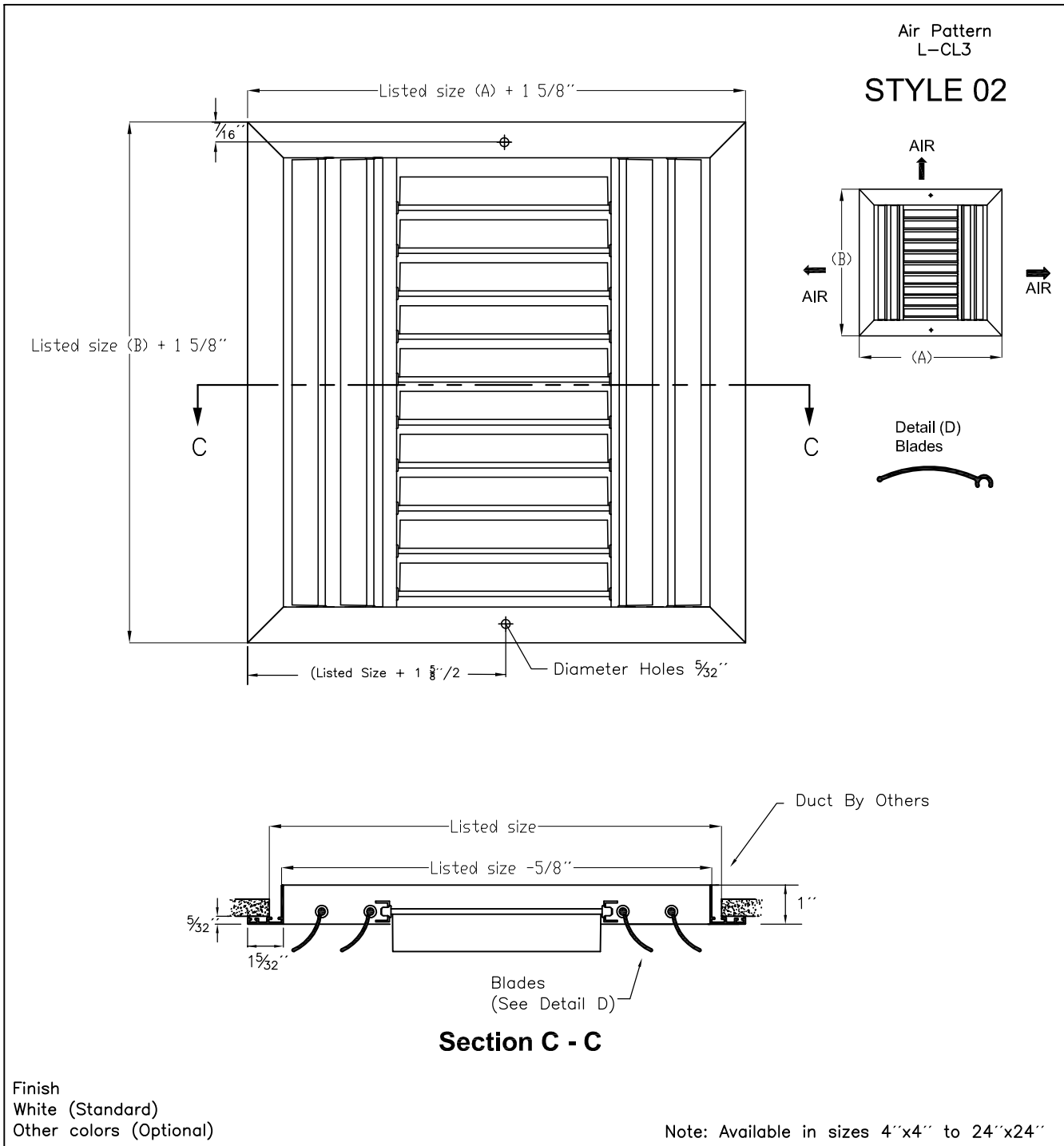
Extruded Aluminum

Job Name: \_\_\_\_\_  
Location: \_\_\_\_\_

Architect: \_\_\_\_\_  
Engineer: \_\_\_\_\_  
Contractor: \_\_\_\_\_



MODEL L-CL3



Dimensions are in inches

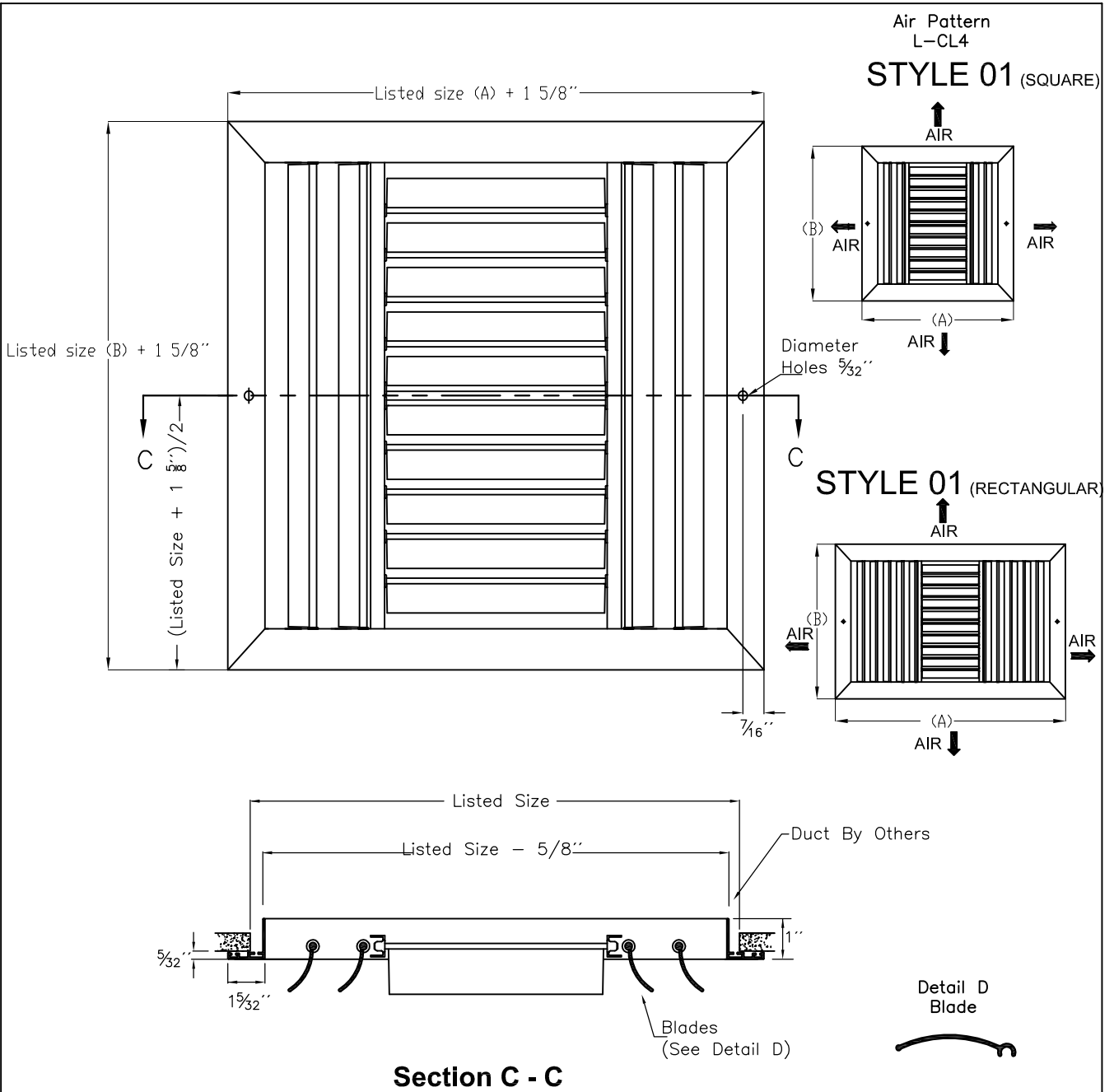
**MODEL L-CL3**

**Extruded Aluminum**

Job Name: _____	Architect: _____
Location: _____	Engineer: _____
	Contractor: _____



MODEL L-CL4



Finish  
White (Standard)  
Other colors (Optional)

Note: Available in sizes 4"x4" to 24"x24"

Dimensions are in inches

MODEL L-CL4

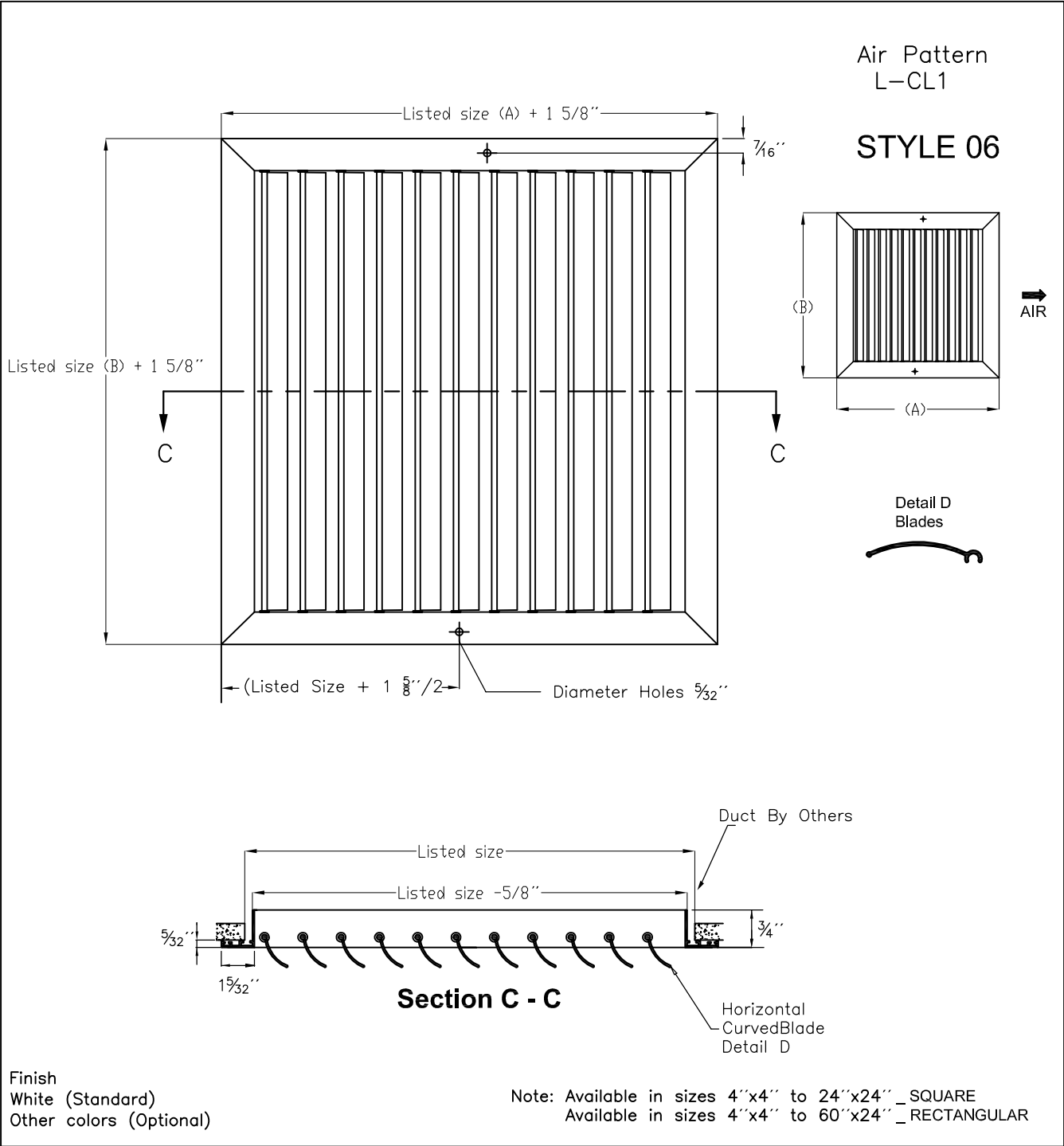
Extruded Aluminum

Job Name: \_\_\_\_\_  
Location: \_\_\_\_\_

Architect: \_\_\_\_\_  
Engineer: \_\_\_\_\_  
Contractor: \_\_\_\_\_



MODEL L-CL1



Dimensions are in inches

MODEL L- CL1

Extruded Aluminum

Job Name: \_\_\_\_\_  
Location: \_\_\_\_\_

Architect: \_\_\_\_\_  
Engineer: \_\_\_\_\_  
Contractor: \_\_\_\_\_