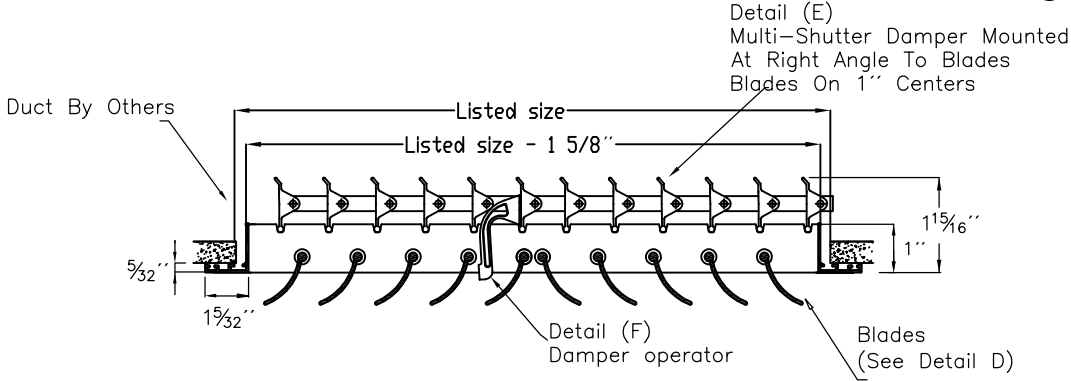
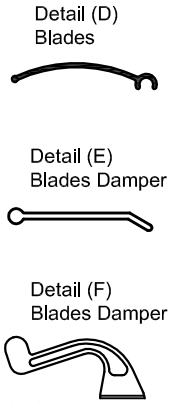
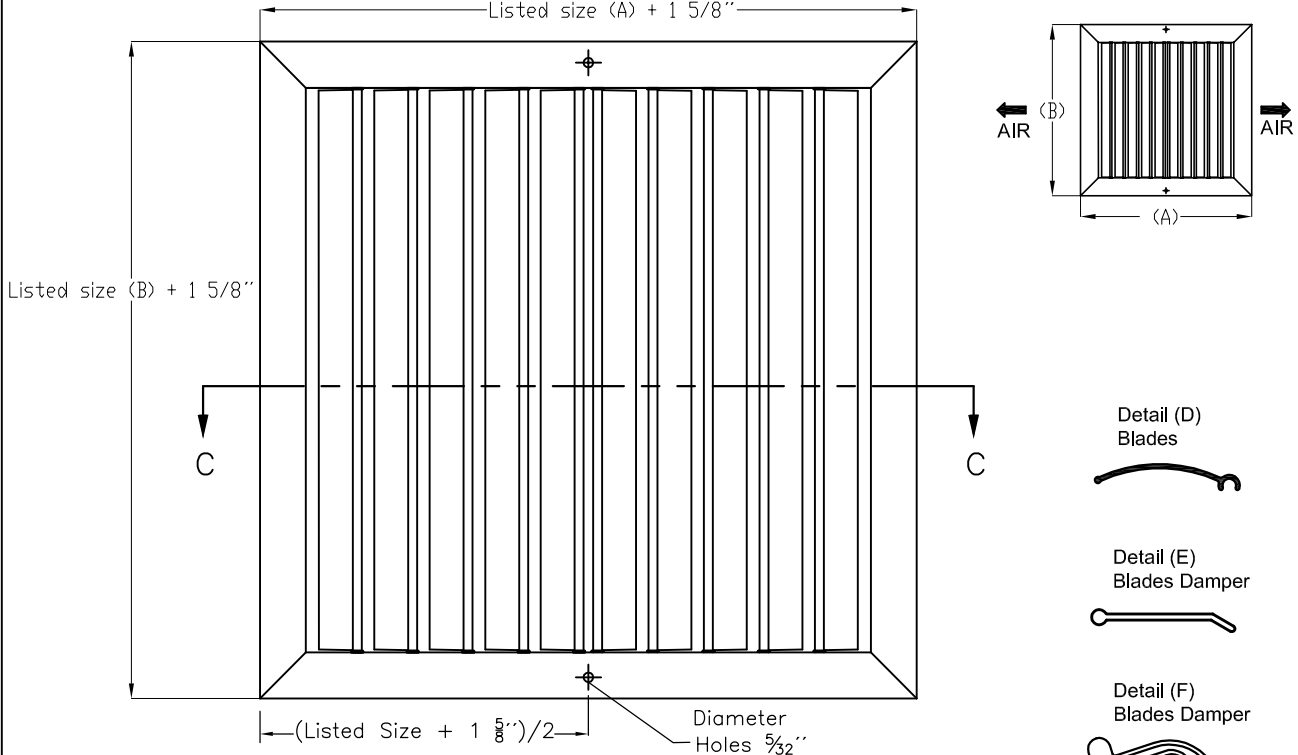




MODEL L-CL2-180°-M

STYLE 05



Section C - C

Finish
 White (Standard)
 Other colors (Optional)

Note: Available in sizes 4"x4" to 24"x24"

Dimensions are in inches

MODEL L-CL2-180°-M

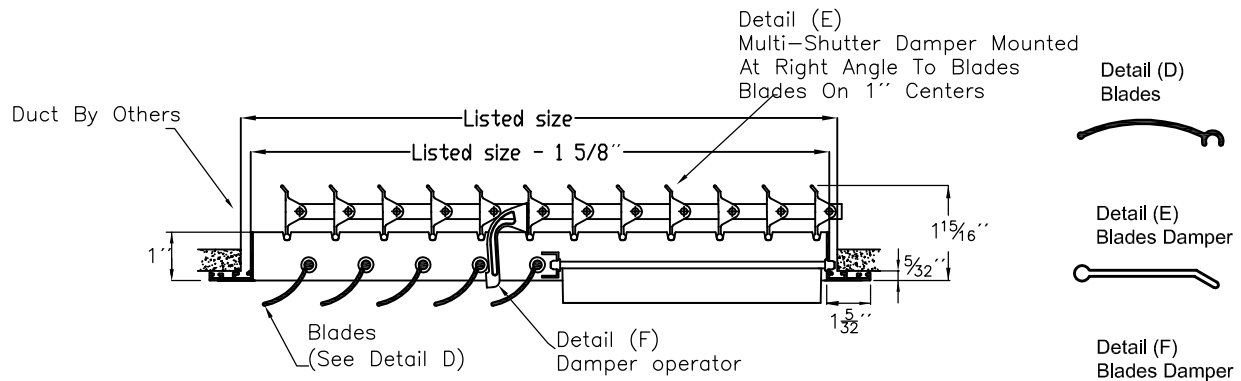
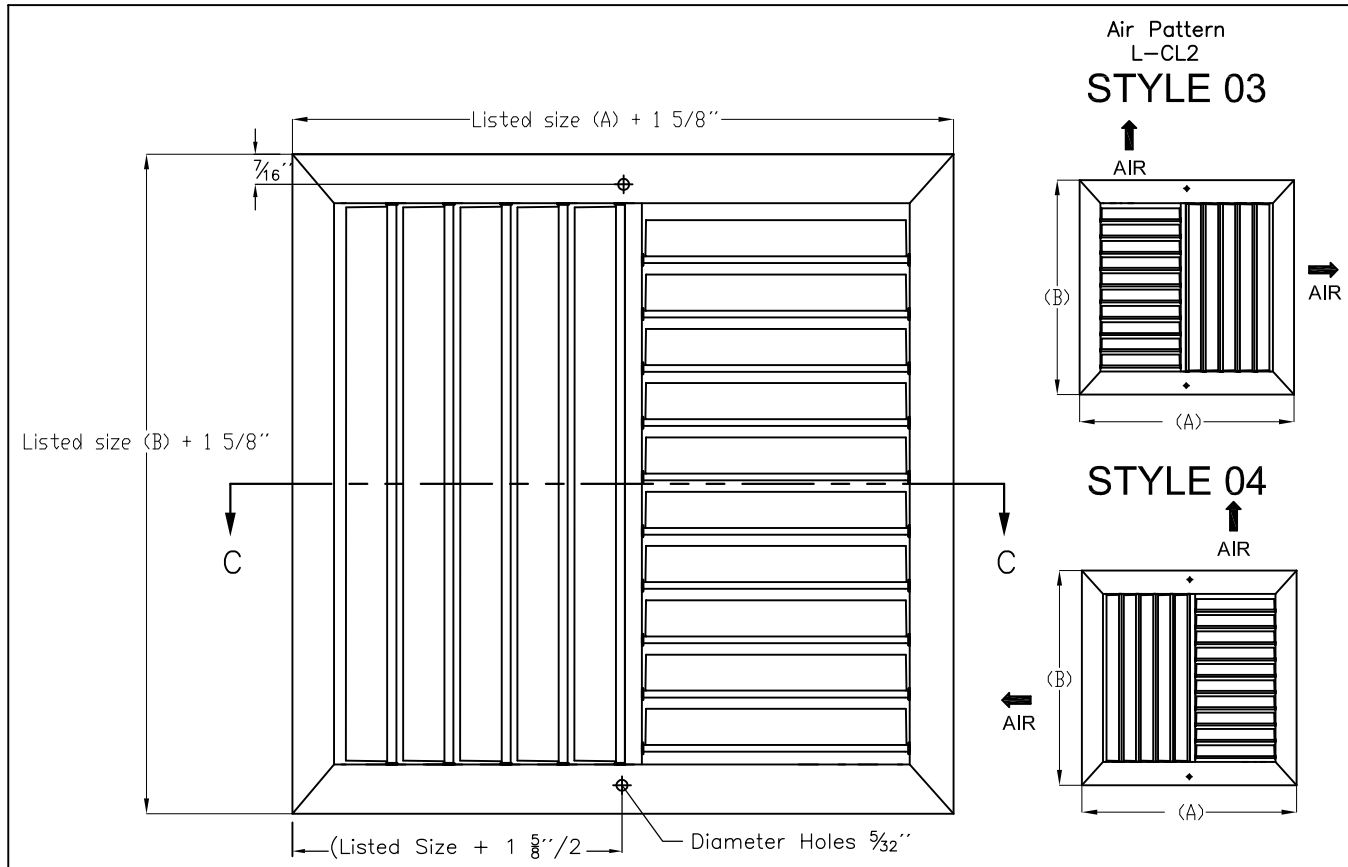
Extruded Aluminum

Job Name: _____
 Location: _____

Architect: _____
 Engineer: _____
 Contractor: _____



MODEL L-CL2-90°-M



Section C - C

Finish
White (Standard)
Other colors (Optional)

Note: Available in sizes 4"x4" to 24"x24"

Dimensions are in inches

MODEL L-CL2-90°-M

Extruded Aluminum

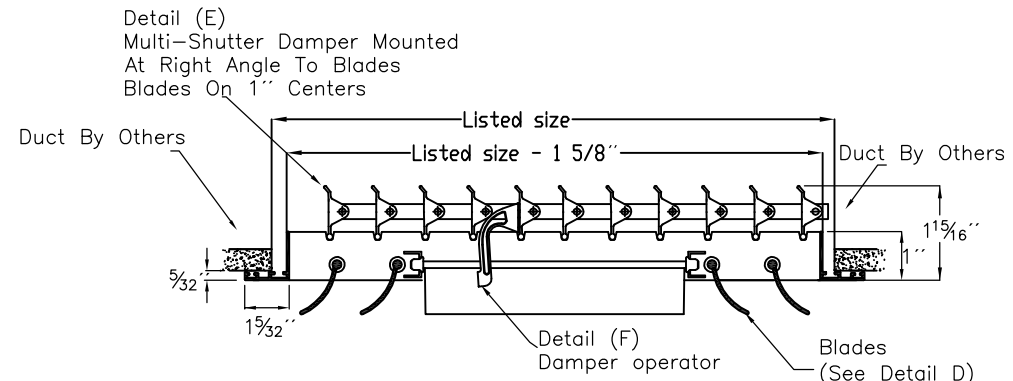
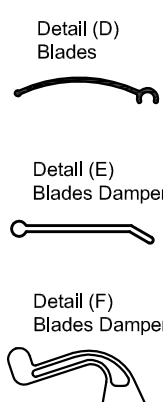
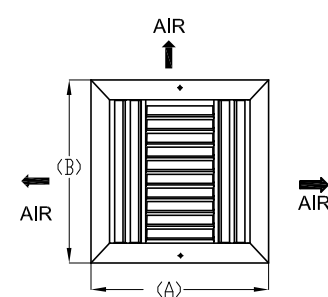
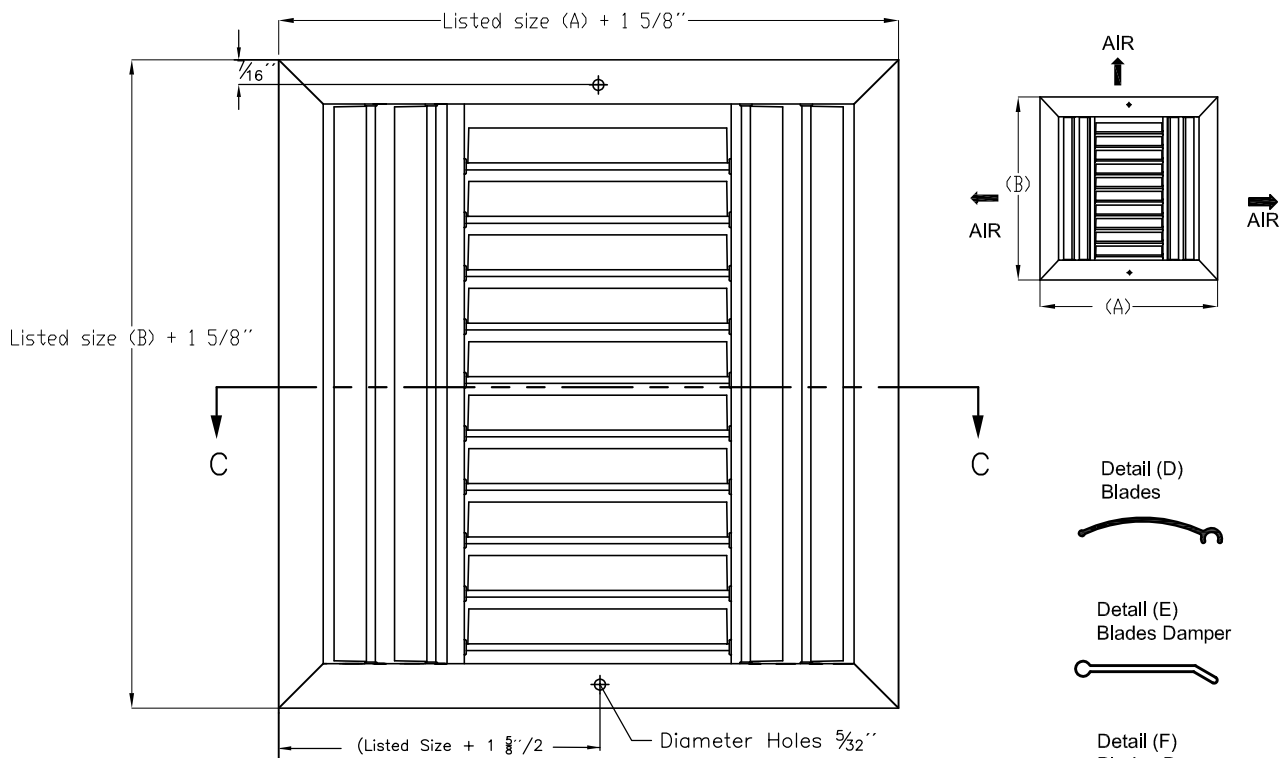
Job Name: _____
Location: _____

Architect: _____
Engineer: _____
Contractor: _____



MODEL L-CL3-M

STYLE 02



Detail (E)
Multi-Shutter Damper Mounted
At Right Angle To Blades
Blades On 1" Centers

Section C - C

Finish
White (Standard)
Other colors (Optional)

Note: Available in sizes 4"x4" to 24"x24"

Dimensions are in inches

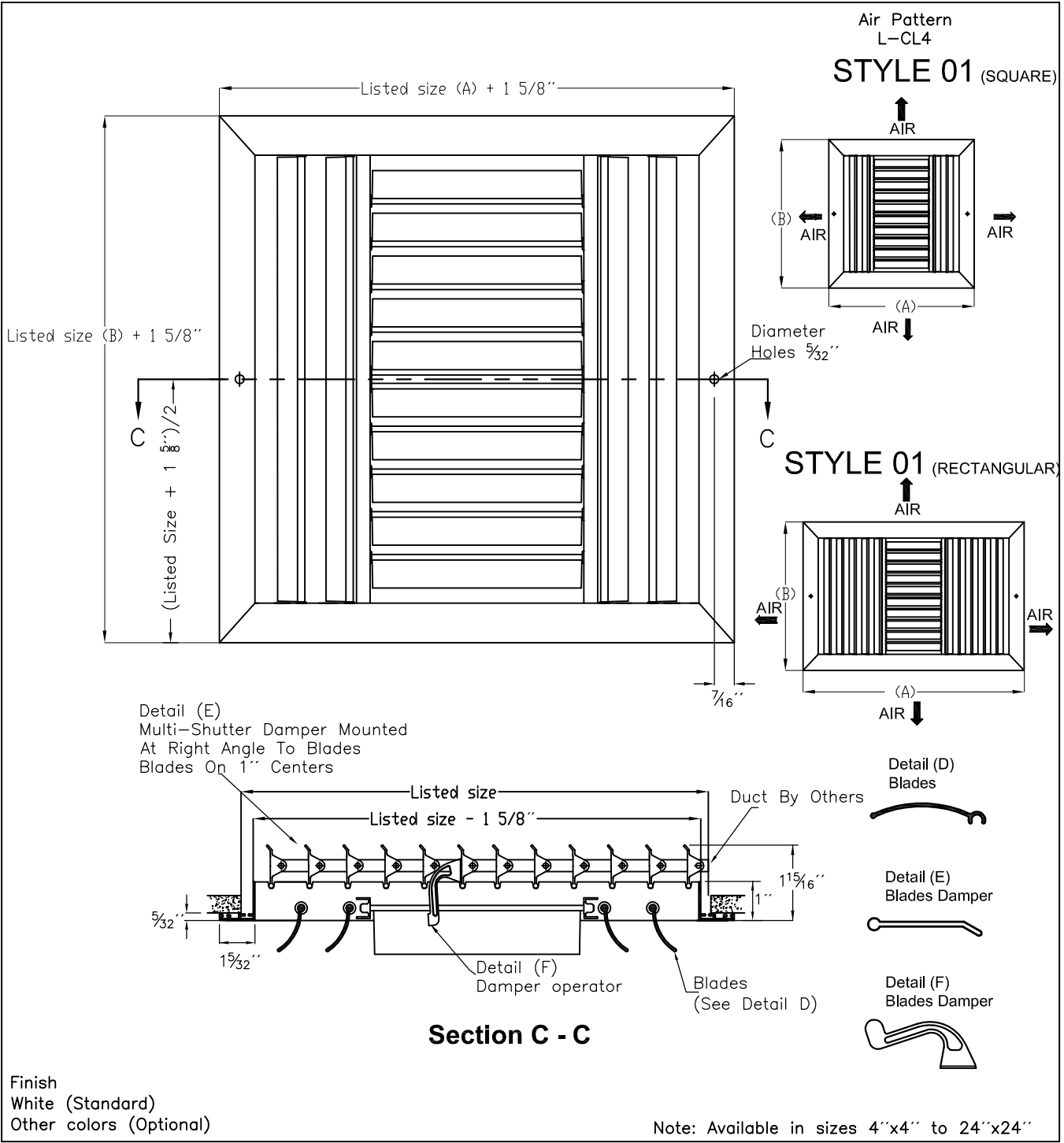
MODEL L-CL3-M

Extruded Aluminum

Job Name: _____	Architect: _____
Location: _____	Engineer: _____
	Contractor: _____



MODEL L-CL4-M



MODEL L-CL4-M

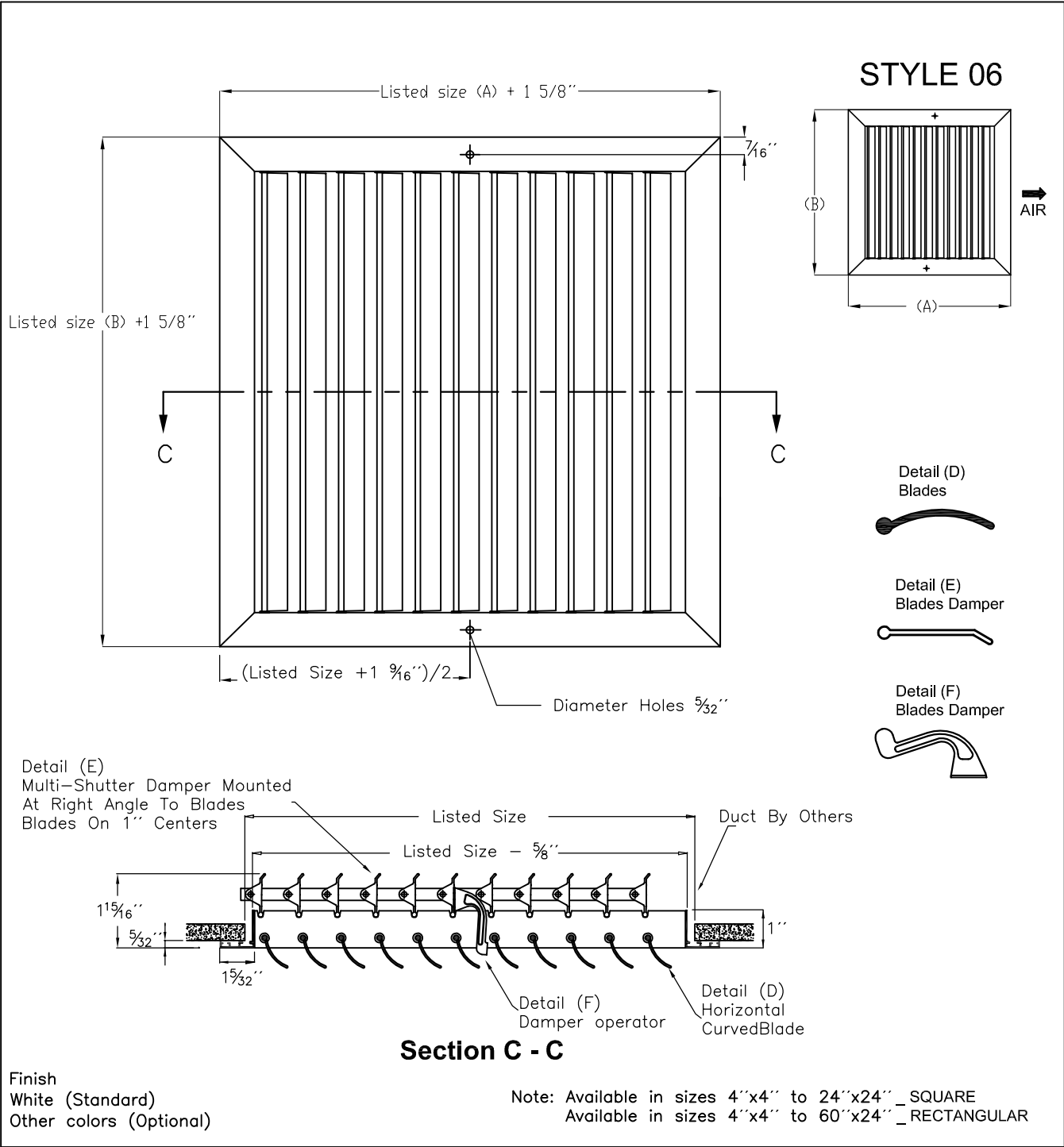
Extruded Aluminum

Job Name: _____
 Location: _____

Architect: _____
 Engineer: _____
 Contractor: _____



MODEL L-CL1-M



MODEL L- CL1-M

With Multi-Shutter Damper

Extruded Aluminum

Job Name: _____
 Location: _____

Architect: _____
 Engineer: _____
 Contractor: _____