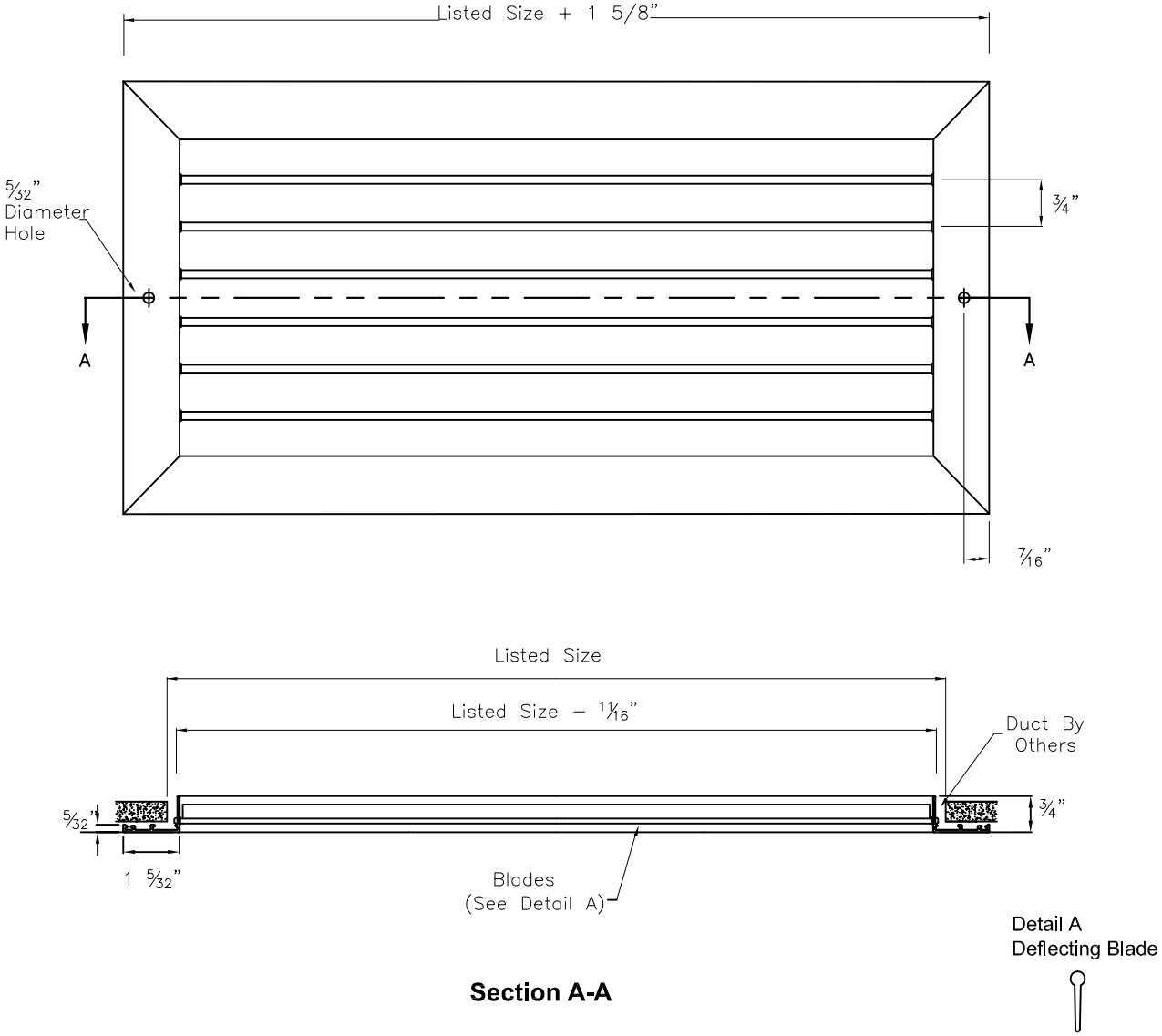




MODEL L-H



Section A-A

Finish
 White (Standard)
 Other colors (Optional)

Note: Available in sizes 4''x4'' TO 46''x46''
 Dimensions are in inches

MODEL L-H

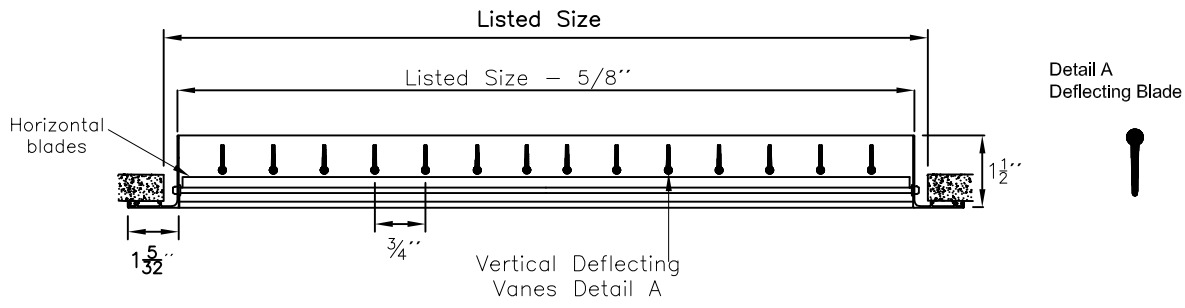
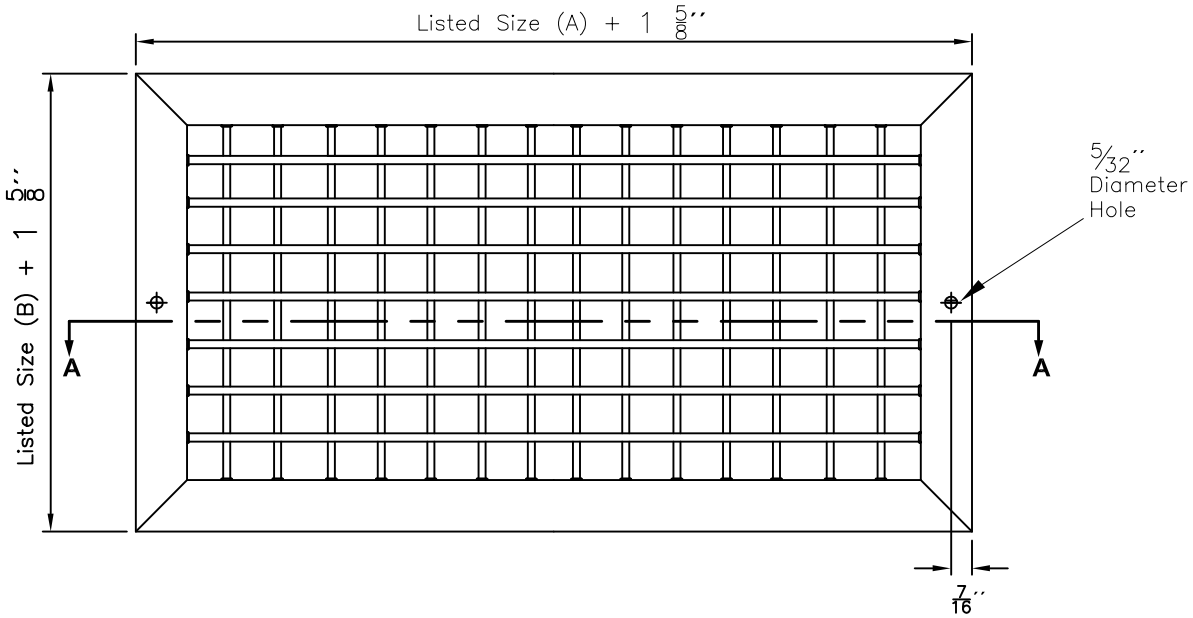
Extruded Aluminum

Job Name: _____
 Location: _____

Architect: _____
 Engineer: _____
 Contractor: _____



MODEL L-HV



Finish
 White (Standard)
 Other colors (Optional)

Note: Available in sizes 4x4" TO 46X46"
 Dimensions are in inches

MODEL L-HV

With Damper

Extruded Aluminum

Job Name: _____

Architect: _____

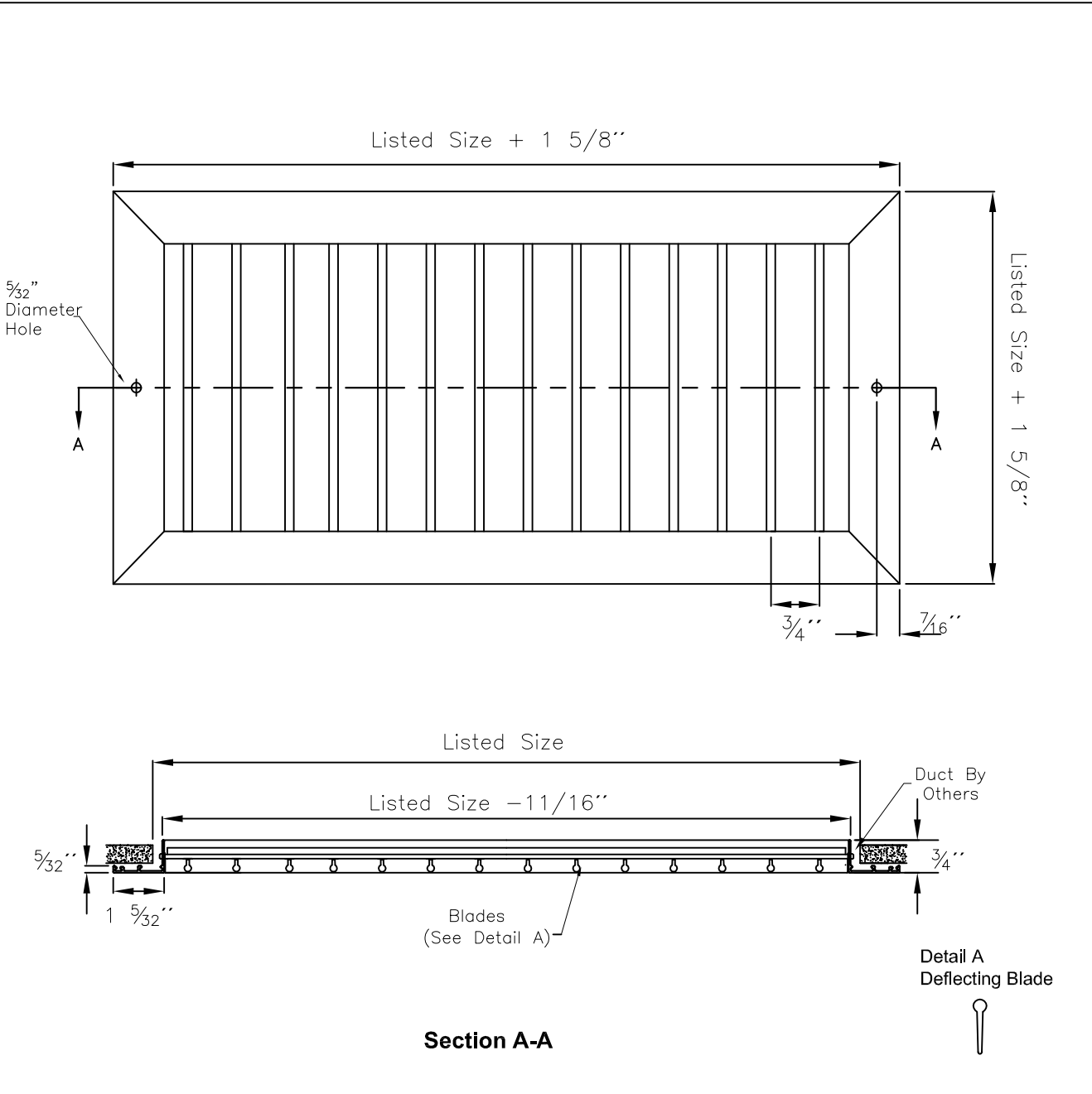
Location: _____

Engineer: _____

Contractor: _____



MODEL L-V



Finish
 White (Standard)
 Other colors (Optional)

Note: Available in sizes 4"x4" TO 46"x46"

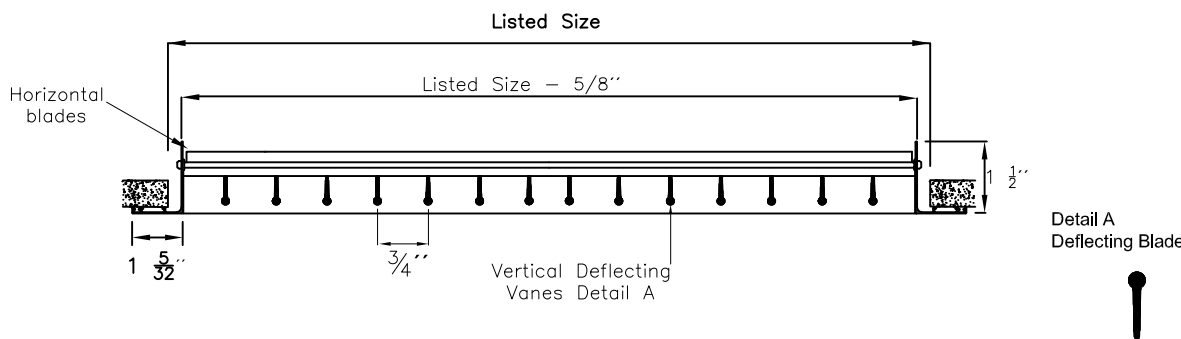
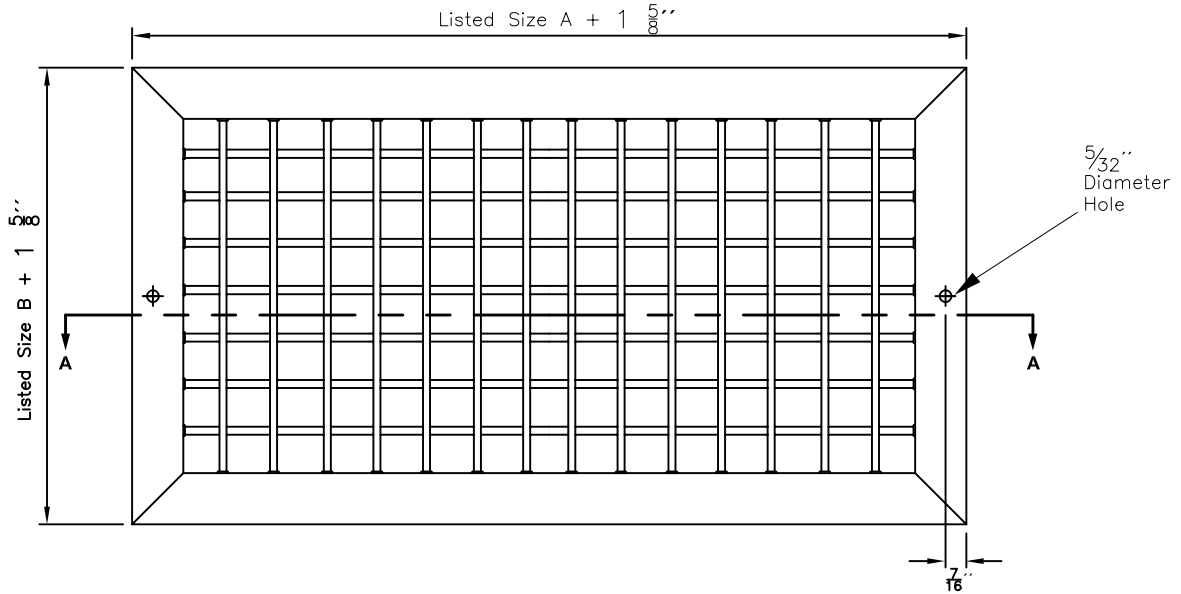
Dimensions are in inches

MODEL L-V
Extruded Aluminum

Job Name: _____	Architect: _____
Location: _____	Engineer: _____
	Contractor: _____



MODEL L-VH



Finish
 White (Standard)
 Other colors (Optional)

Note: Available in sizes 4"x4" TO 46"x46"

Dimensions are in inches

MODEL L-VH

With Damper

Extruded Aluminum

Job Name: _____

Architect: _____

Location: _____

Engineer: _____

Contractor: _____