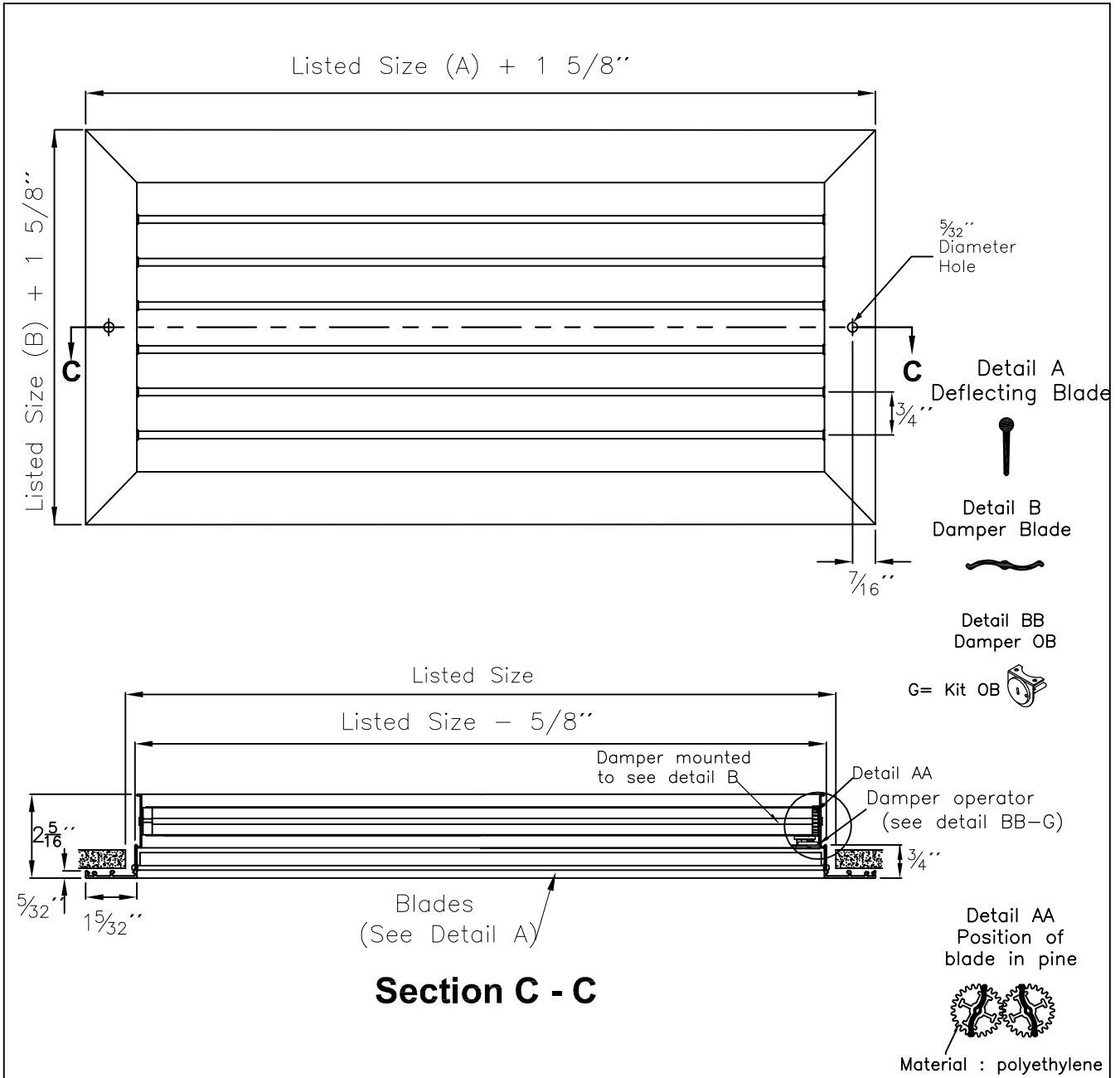


MODEL L-H-OB



Section C - C

Finish
 White (Standard)
 Other colors (Optional)

Note1: With lever, blade damper is reversed
 Note2: Available in sizes (A)x(B)= 4"x4" to 46"x46"
 Dimensions are in inches

MODEL L-H-OB

Extruded Aluminum

Job Name: _____

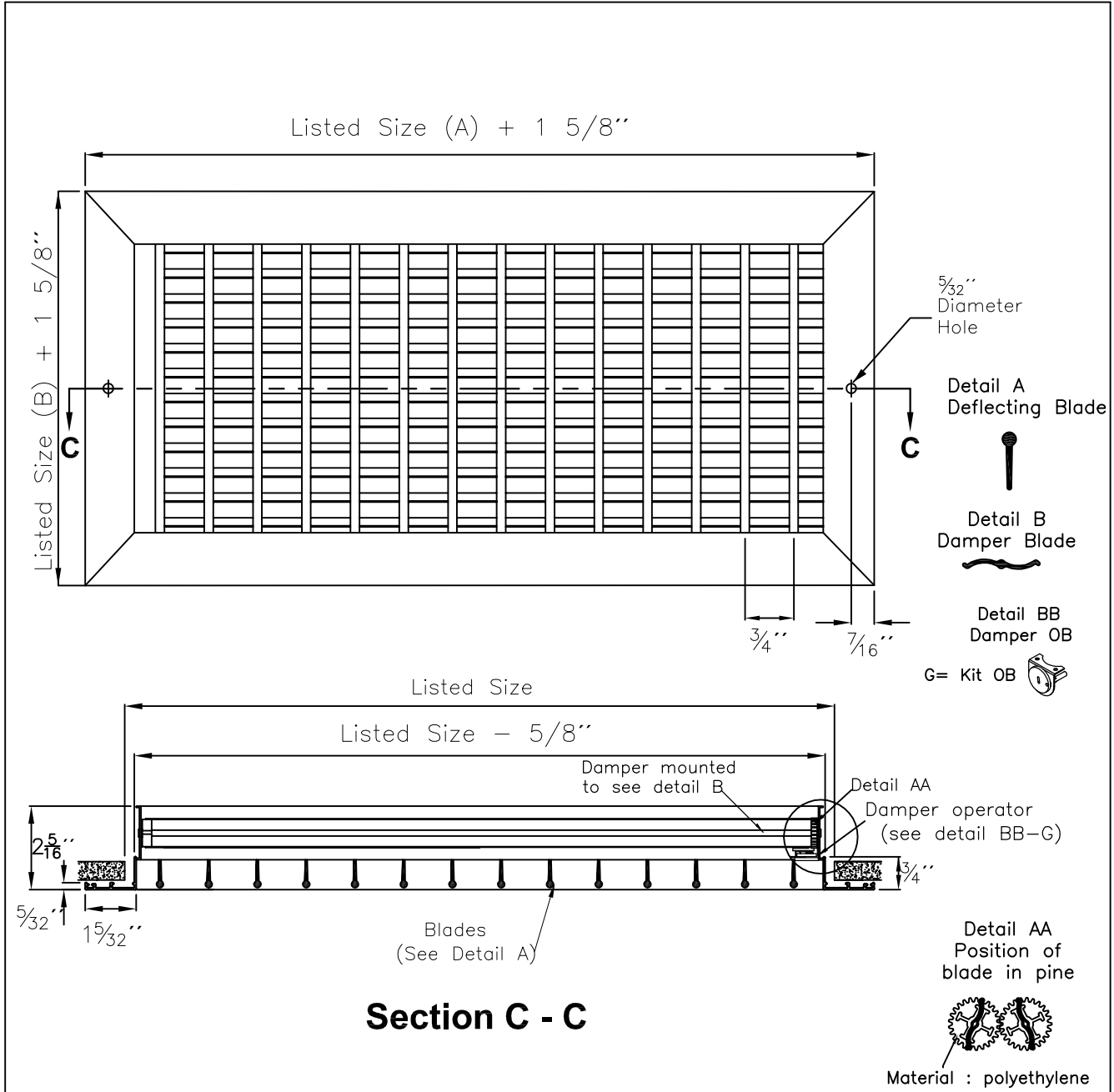
Architect: _____

Location: _____

Engineer: _____

Contractor: _____

MODEL L-V-OB



Section C - C

Finish
 White (Standard)
 Other colors (Optional)

Note1: Available in sizes (A)x(B)=4"x4" TO 46"x46"
 Dimensions are in inches

MODEL L-V-OB

Extruded Aluminum

Job Name: _____

Architect: _____

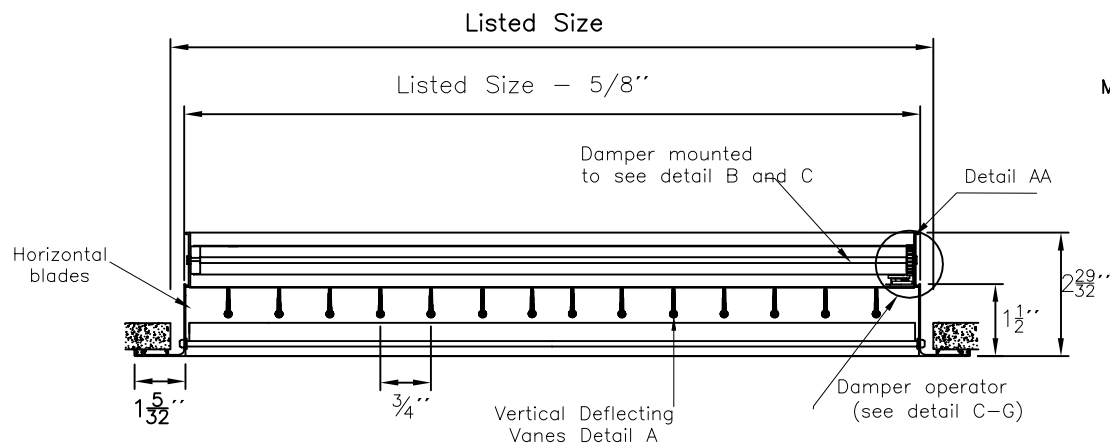
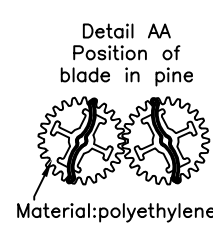
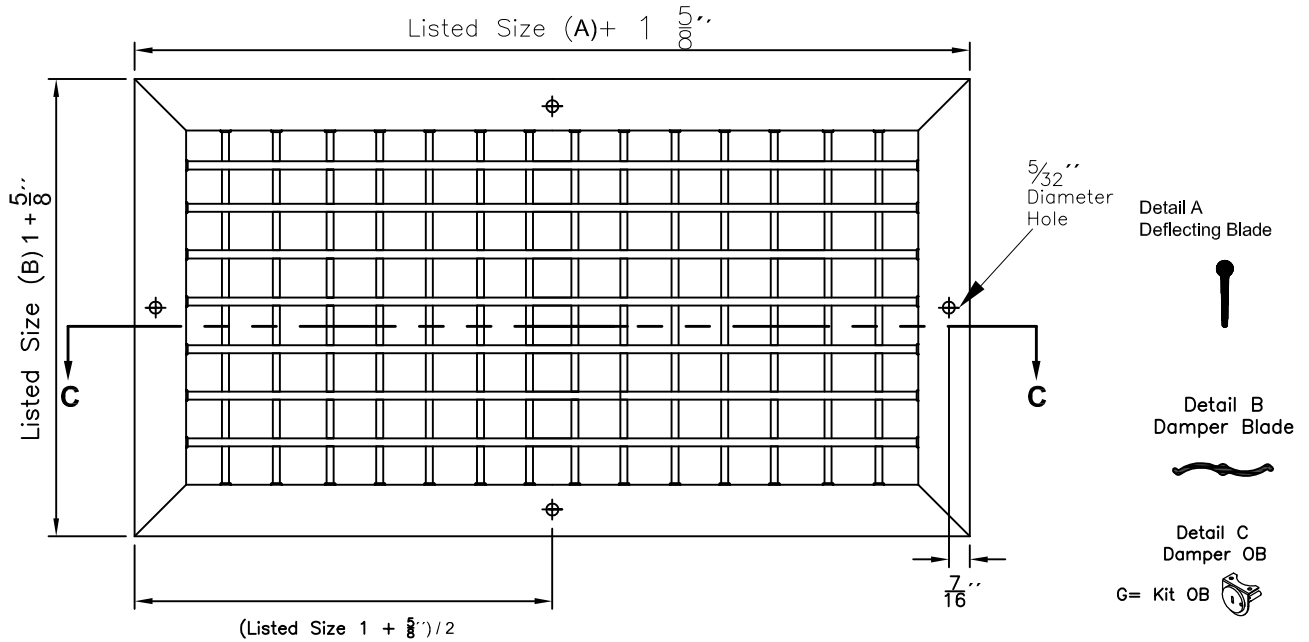
Location: _____

Engineer: _____

Contractor: _____



MODEL L-HV-OB



Section C - C

Finish
White (Standard)
Other colors (Optional)

Note: Available in sizes (A)x(B)= 4"x4" TO 46"x46"
Dimensions are in inches

Extruded Aluminum **MODEL L-HV-OB**

With Damper

Job Name: _____

Architect: _____

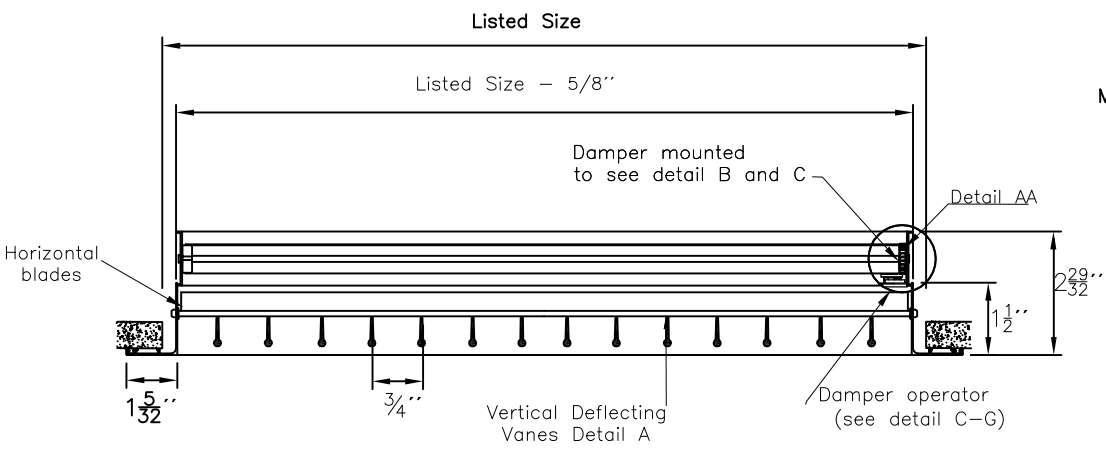
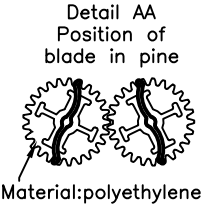
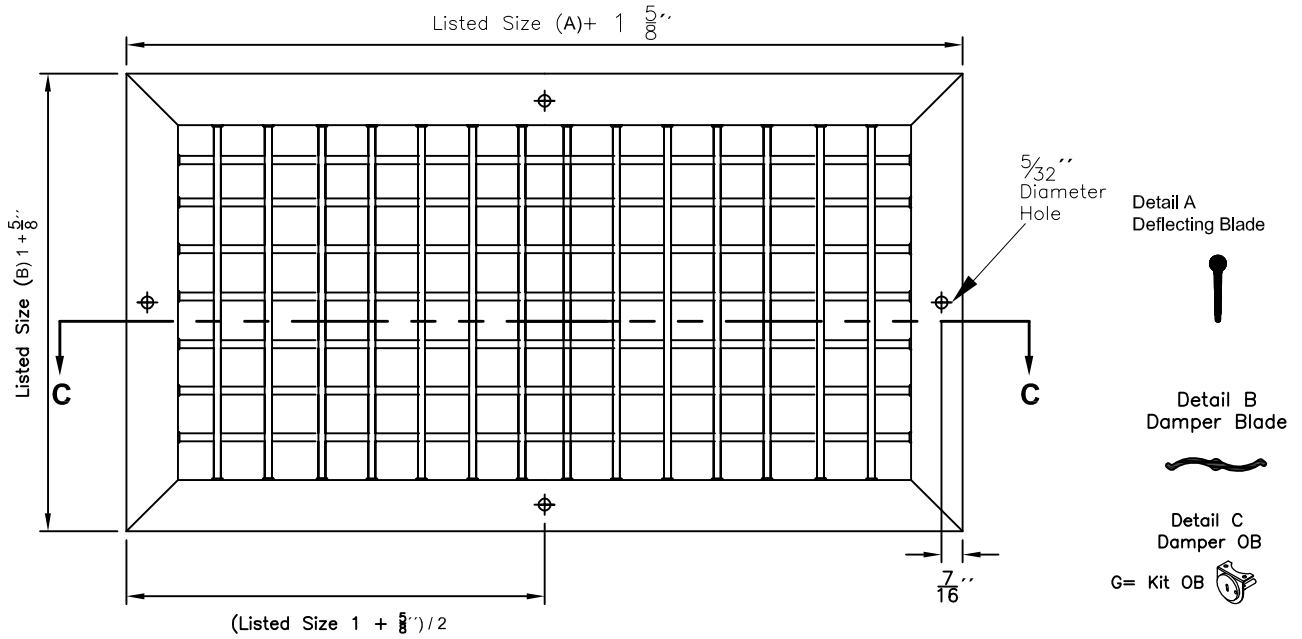
Location: _____

Engineer: _____

Contractor: _____



MODEL L-VH-OB



Finish
 White (Standard)
 Other colors (Optional)

Section C - C

Note: Available in sizes (A)x(B)= 4"x4" TO 46"x46"
 Dimensions are in inches

Extruded Aluminum MODEL L-VH-OB

With Damper

Job Name: _____

Architect: _____

Location: _____

Engineer: _____

Contractor: _____