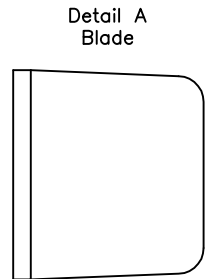
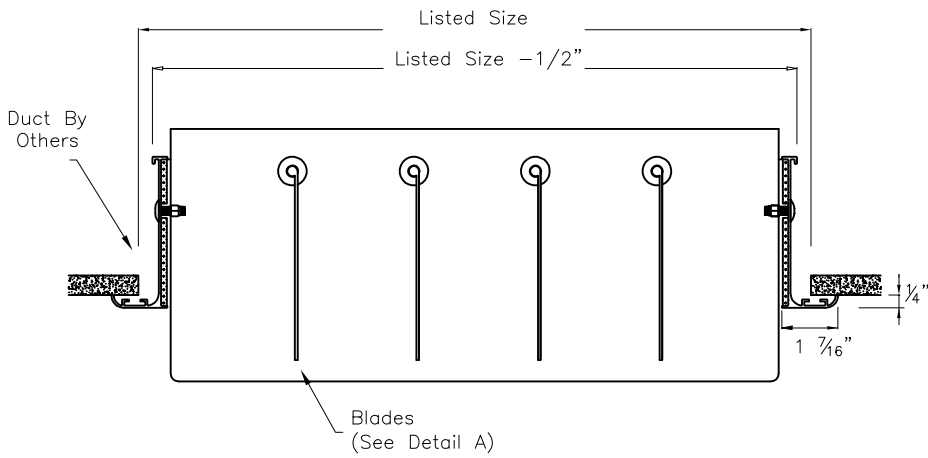
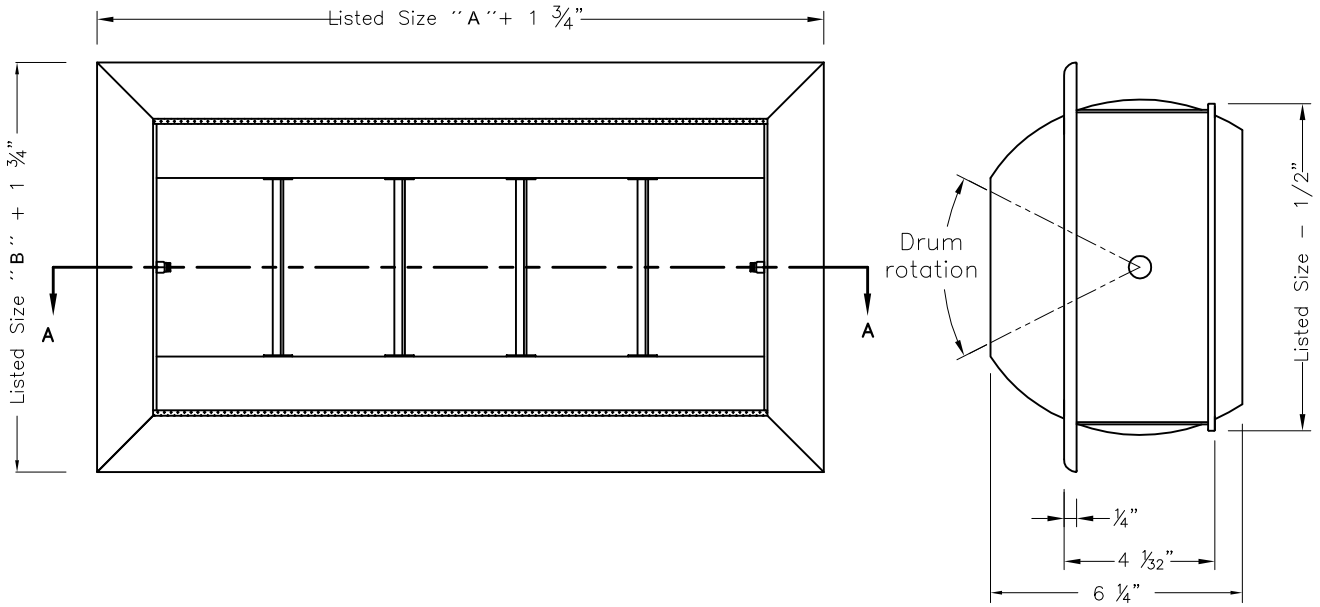




MODEL L-RL



Section A-A

Finish  
 White (Standard)  
 Other colors (Optional)

Note 1 :Listed Size (A) 6'' to 36''  
 Note 2 :Listed Size (B) 6'',10'',12'',15''

Dimensions are in inches

MODEL L-RL

Frame : Extruded Aluminum

Optional : Damper OB

Body and blades : Steel CR. Cal. 22

Job Name: \_\_\_\_\_

Architect: \_\_\_\_\_

Location: \_\_\_\_\_

Engineer: \_\_\_\_\_

Contractor: \_\_\_\_\_