

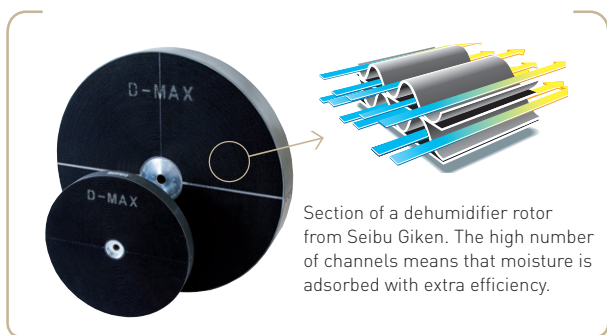
## Dehumidifier Consorb **CS-5, 5L**



*Dehumidifying capacity at 68°F / 60%RH*  
**0.8 - 0.9 lbs/hr**

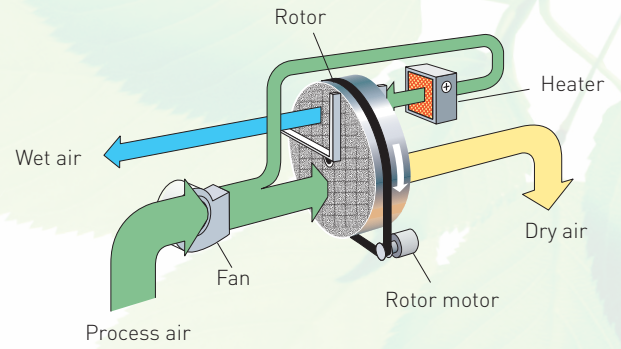
*Dry air flow*  
**38 - 53 CFM**

- ✎ Easy to place
- ✎ Very low sound-level
- ✎ Low weight
- ✎ Highly efficient D-MAX rotor
- ✎ No desiccant carry-over
- ✎ Stainless steel chassis
- ✎ Self-regulating heater
- ✎ Easy to maintain
- ✎ Long lifetime



TECHNICAL DATA

Dehumidifier model	CS-5	CS-5L
Nominal capacity <sup>1</sup> (lbs/h)	0.8	0.9
Dry air flow <sup>2</sup> (CFM)	38	53
at external static pressure (in w.g)	0.2	0.4
Wet air flow <sup>2</sup> (CFM)	18	29
at external static pressure (in w.g)	0.1 <sup>3</sup>	0.1 <sup>3</sup>
Maximum electric consumption (kW)	0.65	0.8
Heater current (A)	5.6	7
Supply fuse 115V / 60Hz (A)	10	10
Weight (lbs)	20	20

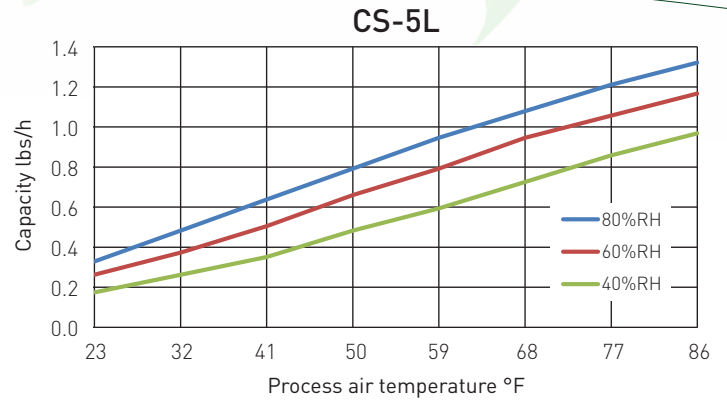
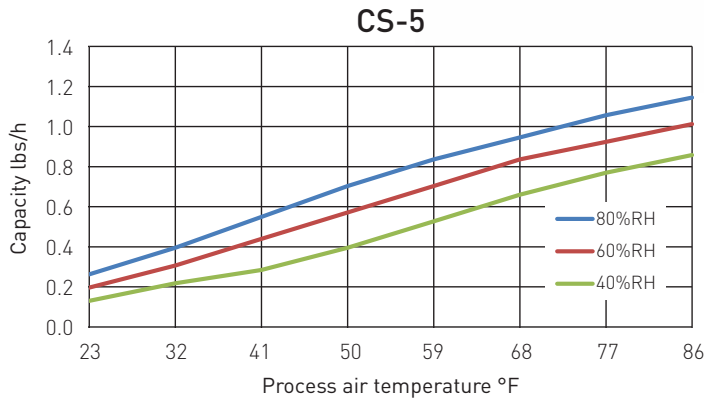


<sup>1</sup> Valid for inlet conditions 68°F/60%RH.

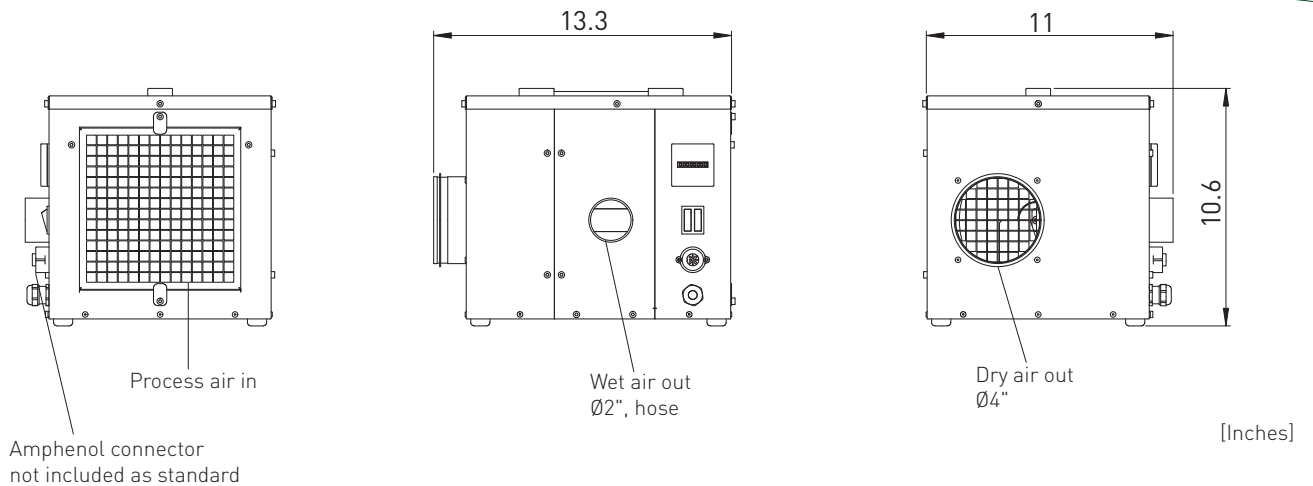
<sup>2</sup> Volume flow for density 0.075 lbs/ft<sup>3</sup>.

<sup>3</sup> Ø2 inches.

CORRECTION DIAGRAM



DIMENSIONS



Subject to change without notice. Download installation drawing at [www.dst-america.com](http://www.dst-america.com).

DST America

4700 N. 5th Street Highway, Suite 5 Temple, Pa 19560, USA

Tel +1 (484) 709-2093 | Fax +1 (484) 709-2172

[www.dst-eamerica.com](http://www.dst-eamerica.com) | [info@dst-america.com](mailto:info@dst-america.com)