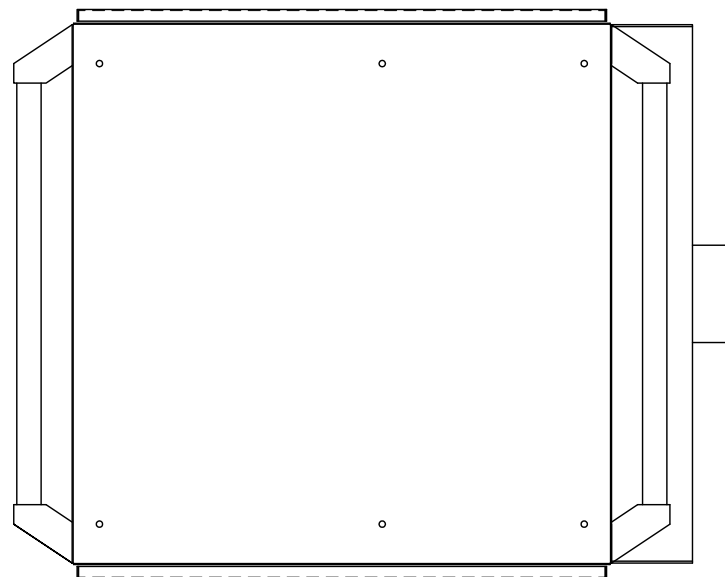
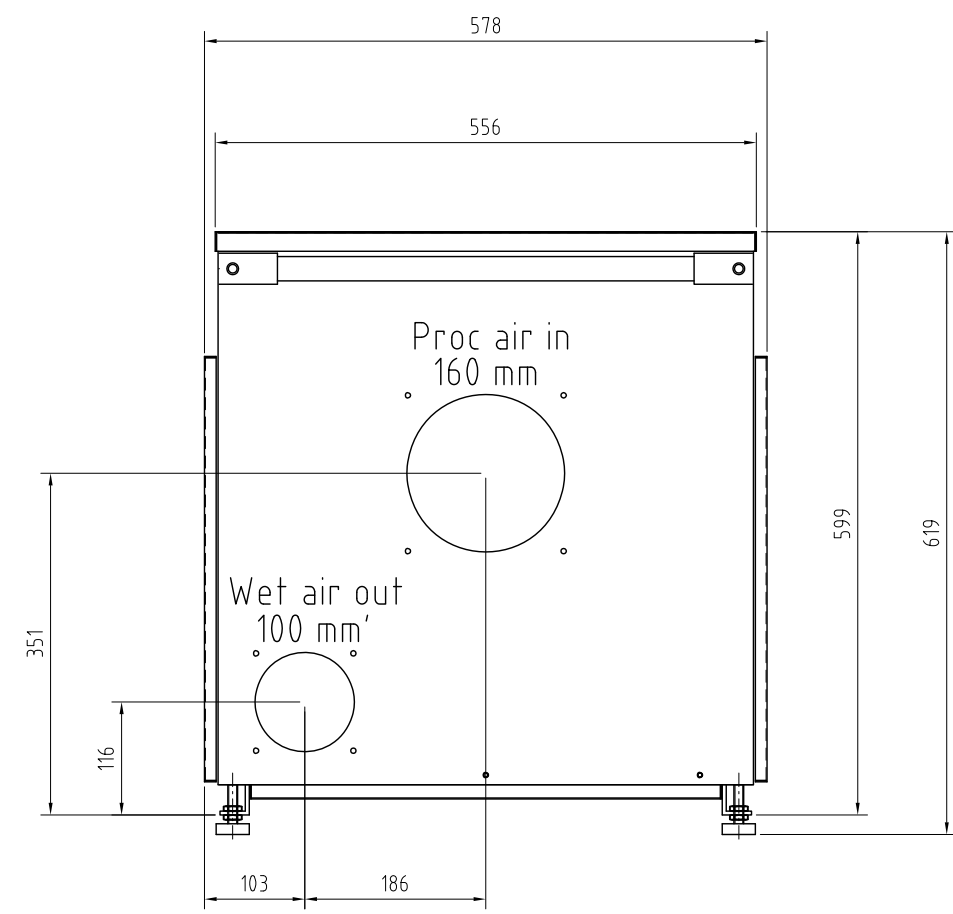
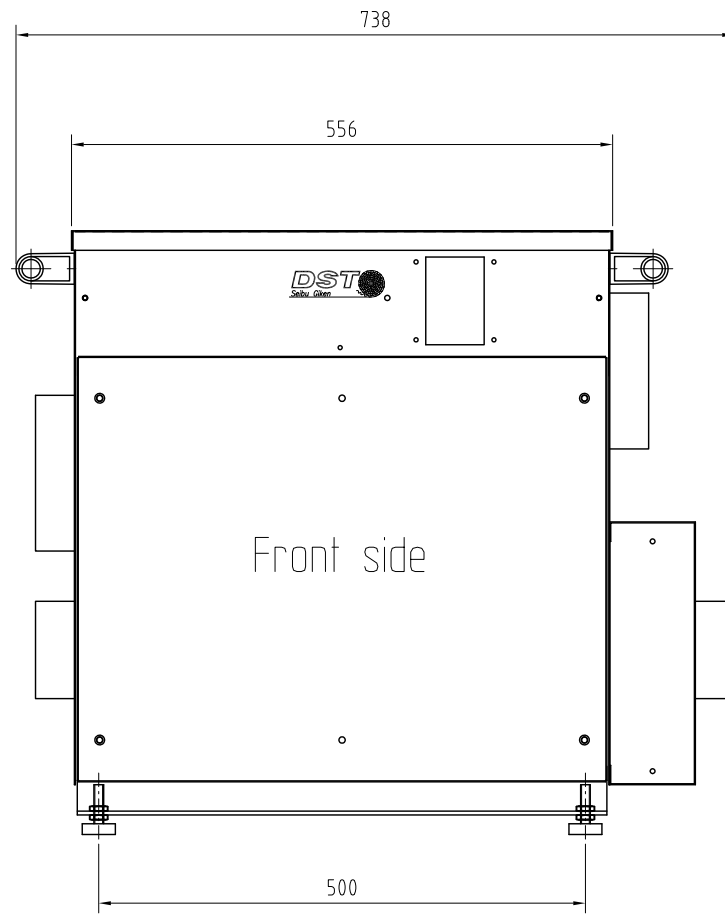
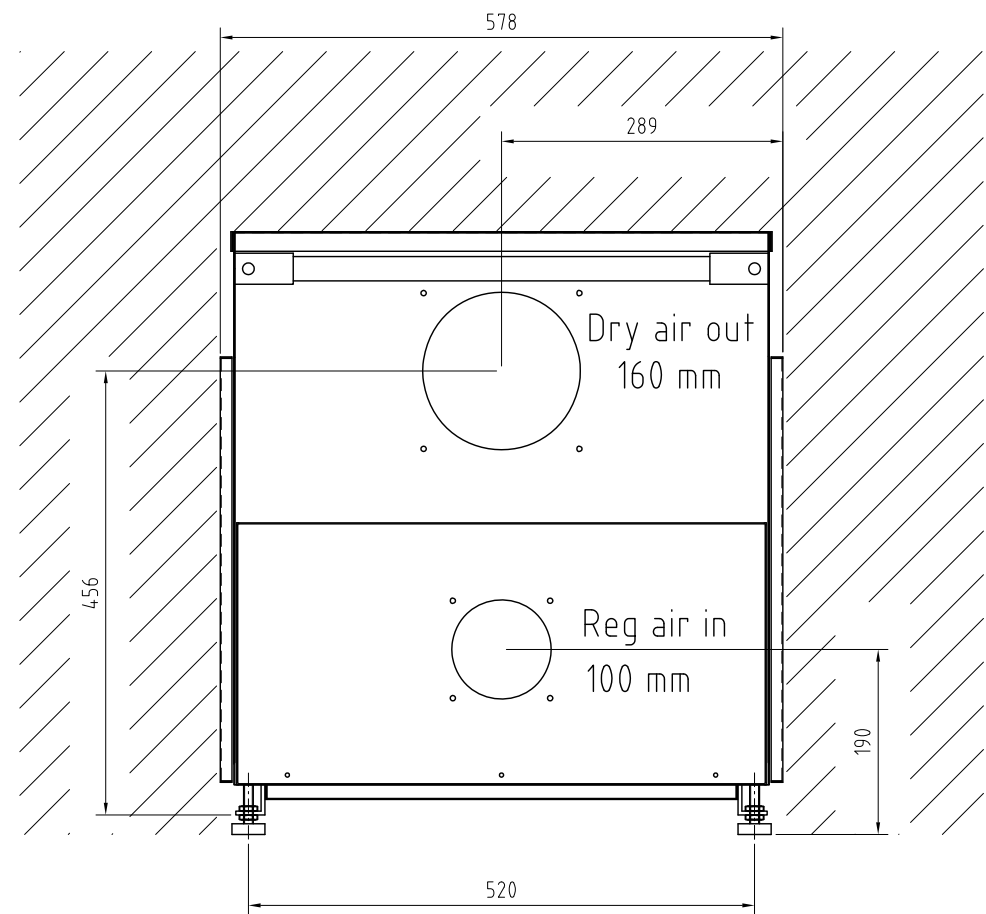


Nr	Ant	Ändring	Datum	Inf.	Godk.
01		Mounted feets	08-12-04	AL	
02		Service area added	10-06-14	AL	
03		Added unit weight	12-12-06	SO	

Appr. 1 metre free service space, above, front and rear side



Det.nr	Ant.	Benämning	Material	Dimension/Vikt	Anmärkning
				63kg	
DC-50R Dimension drawing					Skala: UJ Ritad: UJ Datum: 2005-11-30 Finnsn: 050 1 9121-03