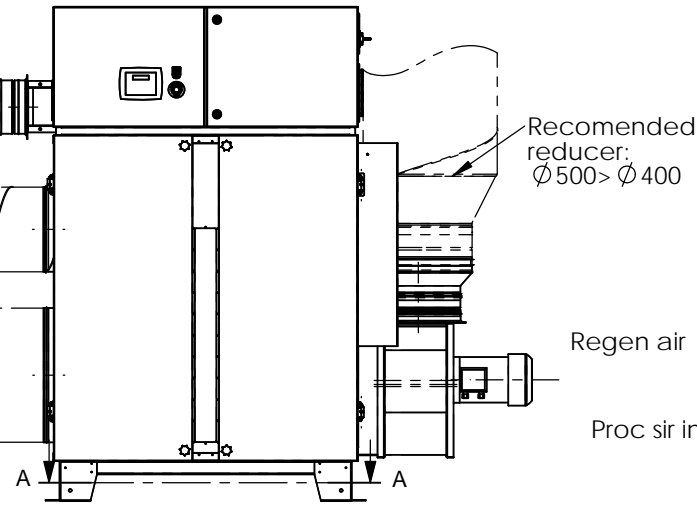


Recommended reducer:
 $\varnothing 315 > \varnothing 250$

Recommended connection:
 $\varnothing 315$

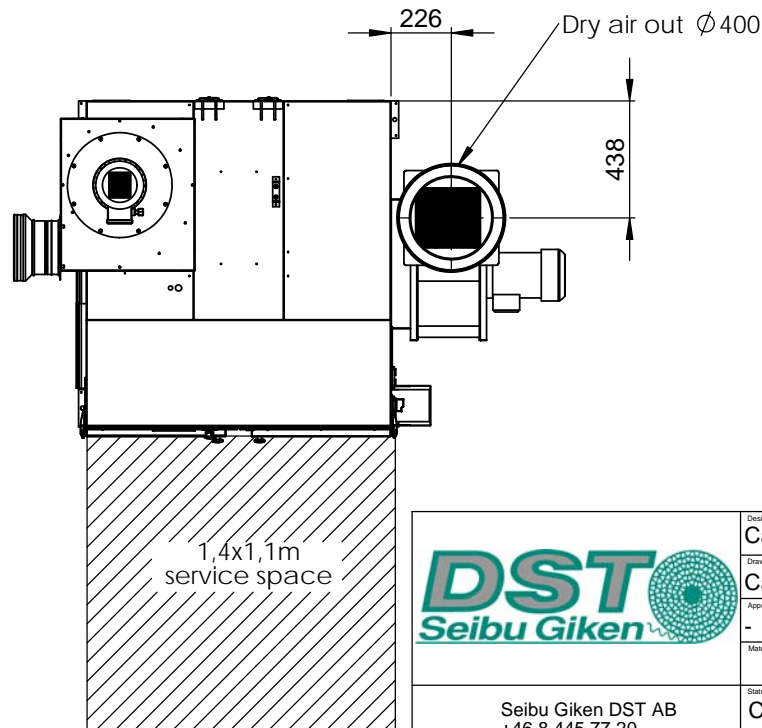
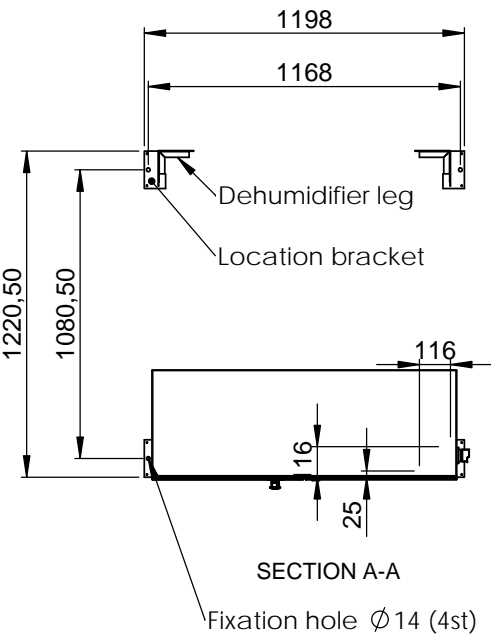
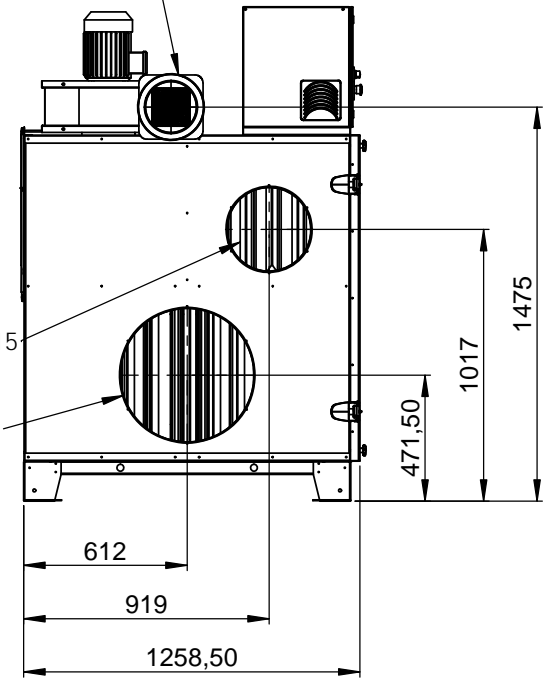
Recommended connection:
 $\varnothing 500$



Wet air out $\varnothing 250$

Regen air in $\varnothing 315$

Proc sir in $\varnothing 500$



Package dimension

Length:

Height:

Width:

Weigh:

This document and its contents are the exclusive property of DST Seibu Giken and must not be copied, reproduced, transmitted or communicated to any other party or used for purposes not expressly permitted by us.



Seibu Giken DST AB
 +46 8 445 77 20
 www.dst-sg.com

| | | | |
|--------------|--------------|-----------|-------------|
| Designed by | Catarina S | Date | 2012-10-31 |
| Drawn by | Catarina S | Date | 2012-11-30 |
| Approved by | - | Date | - |
| Material | - | Thickness | t= |
| Status | Construction | Tolerance | ISO 2768-1m |
| Scale | 1:20 | Format | A3 |
| Sheets/Sheet | 1/1 | Rev Part | 00+ |
| Weight (Kg) | 380 | | |

| | |
|-----------------------------|-----|
| Title/Description | |
| Installationsritning RZ-101 | |
| Installation drawing RZ-101 | |
| Drawing no | Rev |
| DST04418 | 00+ |