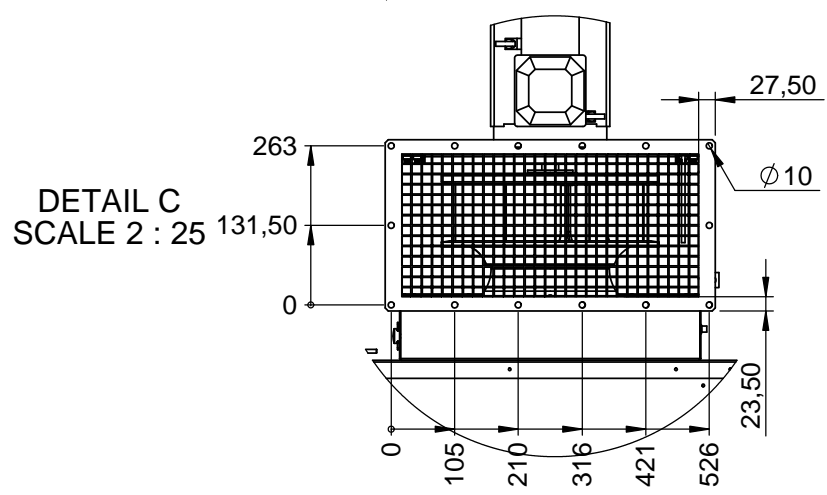
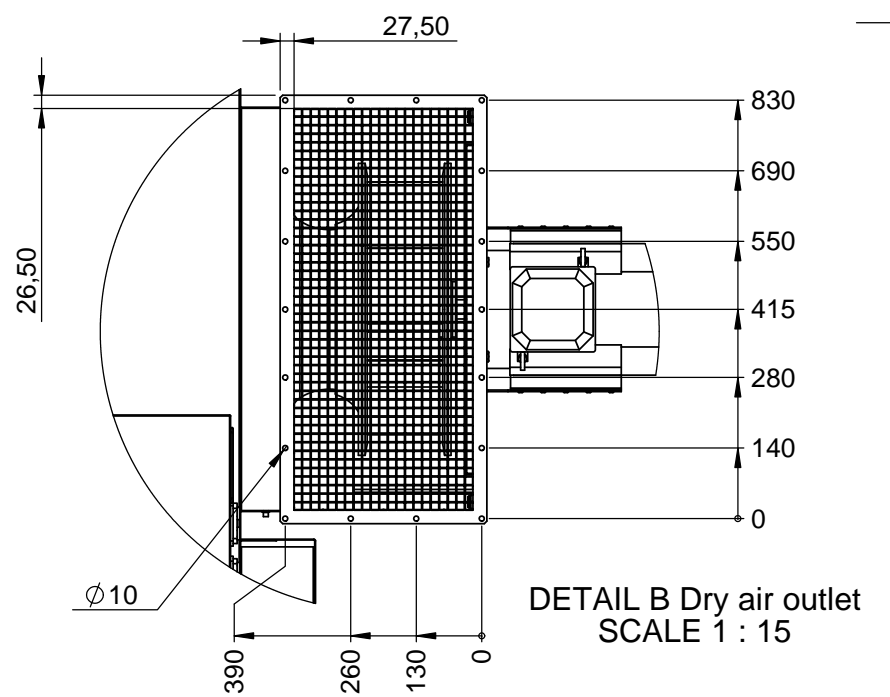
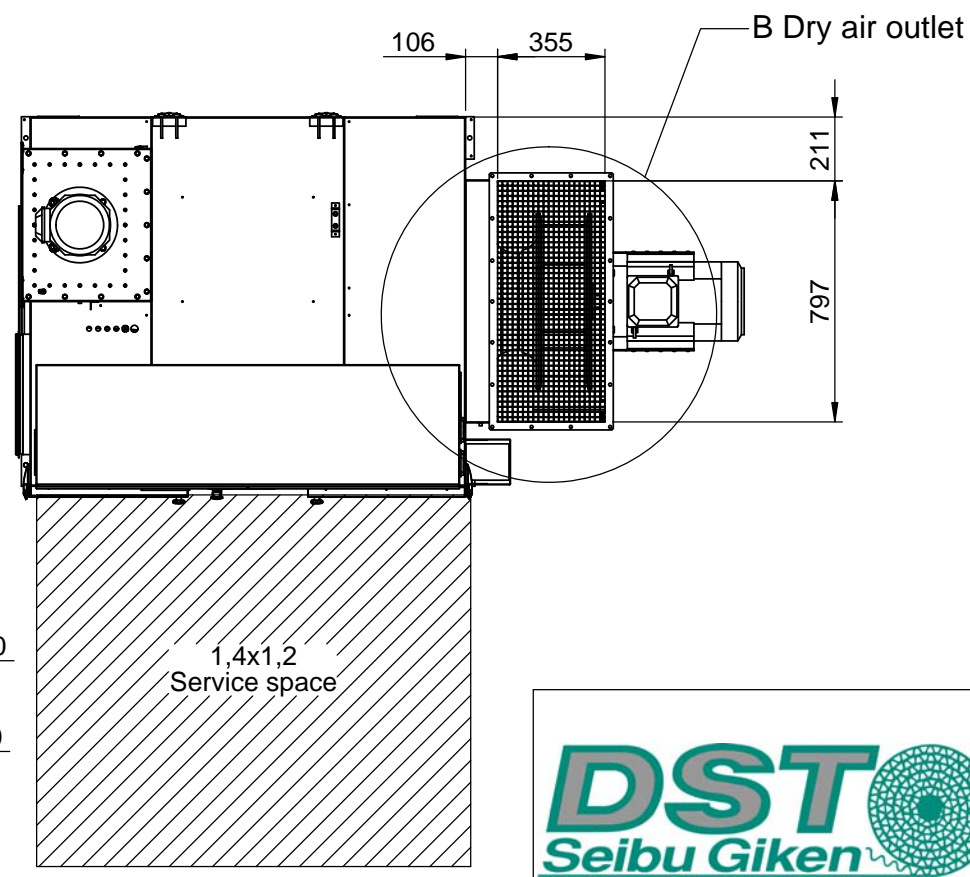
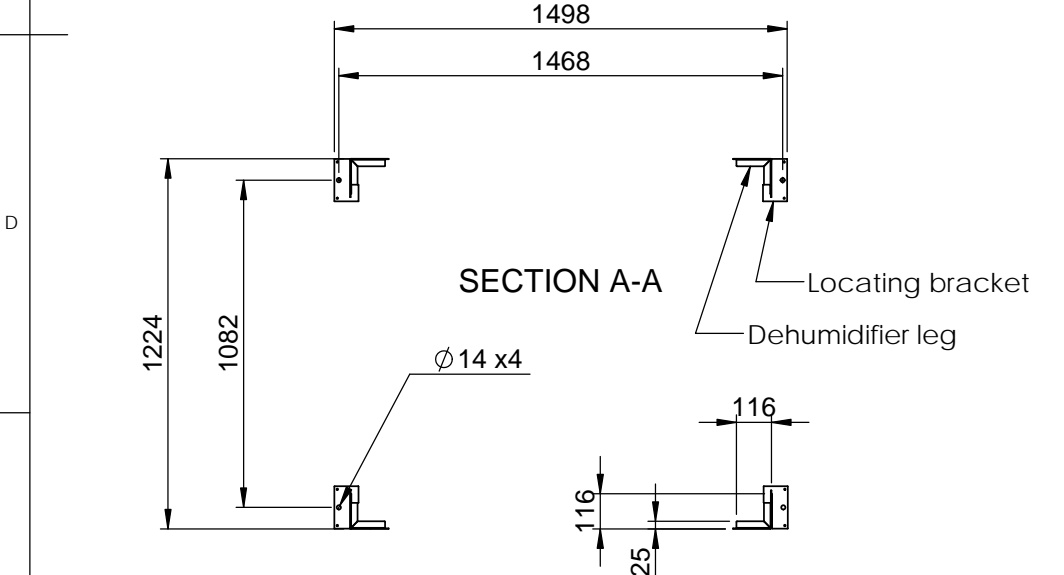
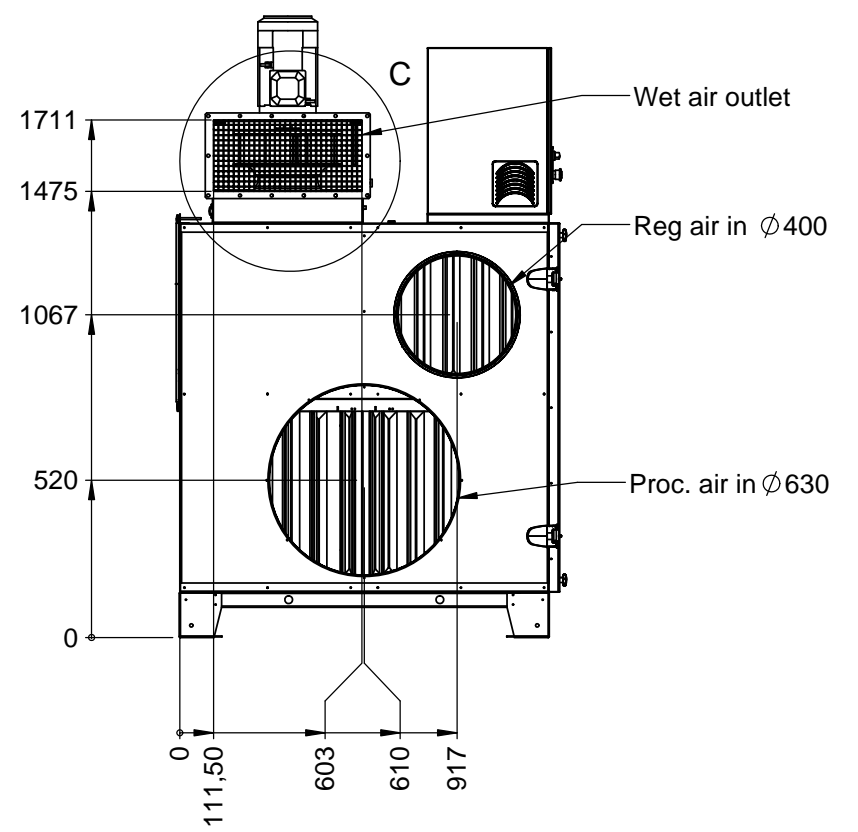


REVISIONS			
REV.	DESCRIPTION	DATE	APPROVED
01	-	2016-03-24	-
02	Reducer sizes, mass properties, dimensions corrected.	2016-04-25	EL



This document and its contents are the exclusive property of DST Seibu Giken and must not be copied, reproduced, transmitted or communicated to any other party or used for purposes not expressly permitted by us.

Seibu Giken DST AB
+46 8 445 77 20
www.dst-sg.com

Designed by Catarina S	Date 2014-01-24	Title/Description Installationsritning RLZ-104
Drawn by Catarina S	Date 2014-01-24	
Approved by -	Date -	Installation drawing RLZ-104
Material -		Thickness t=
Status Construction	Tolerance ISO 2768-1m	Drawing no DST05369
Scale 1:25	Format A3	
Sheet/Sheet 1/1	Rev Part 02+	Weight (Kg) 558.000
		Rev 02+