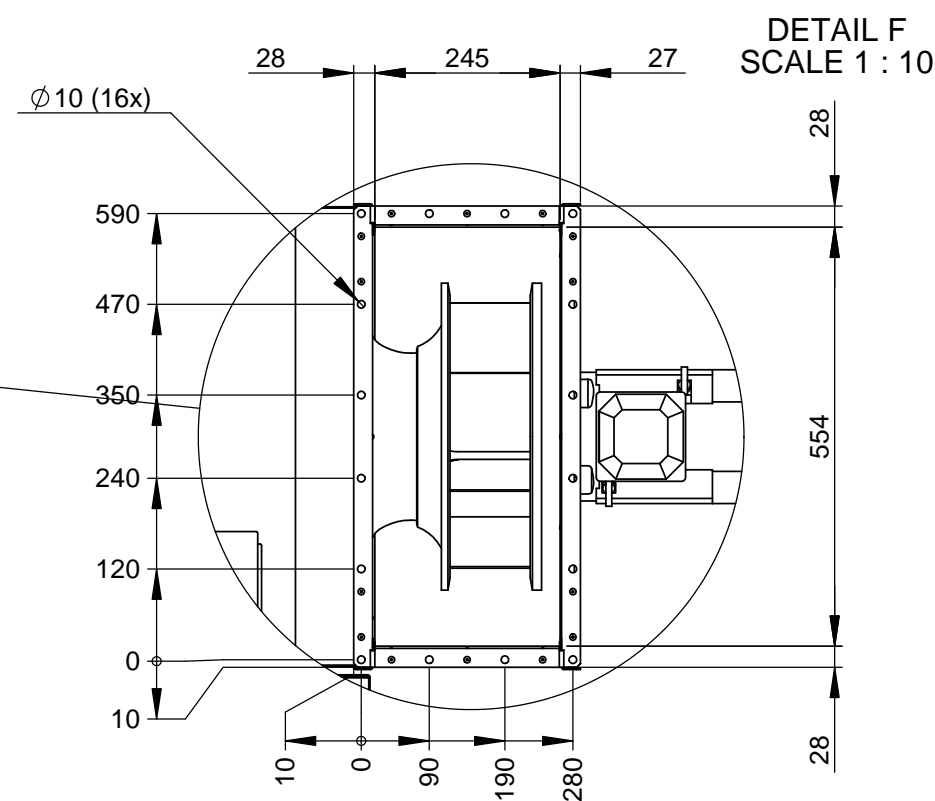
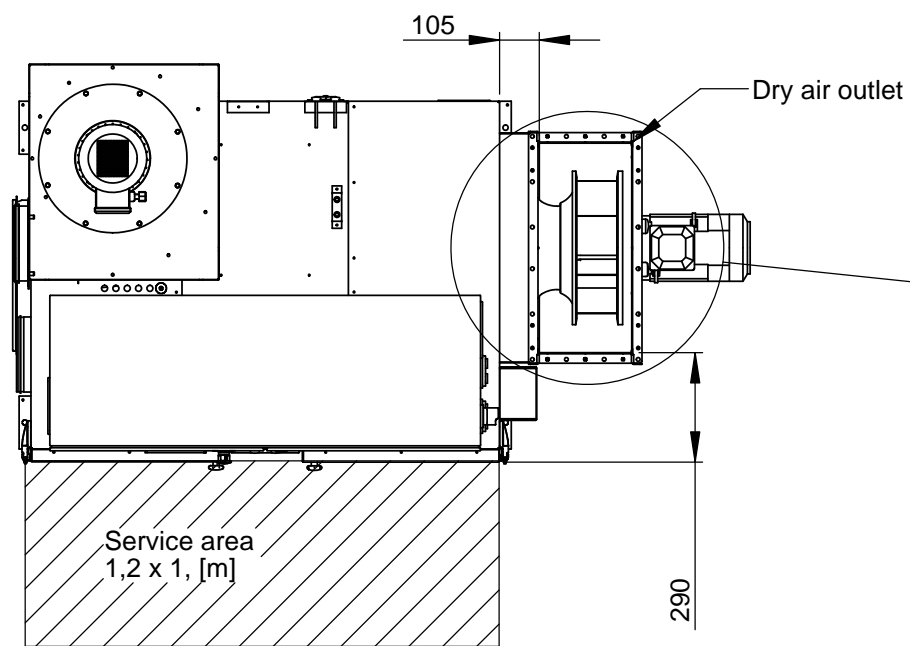
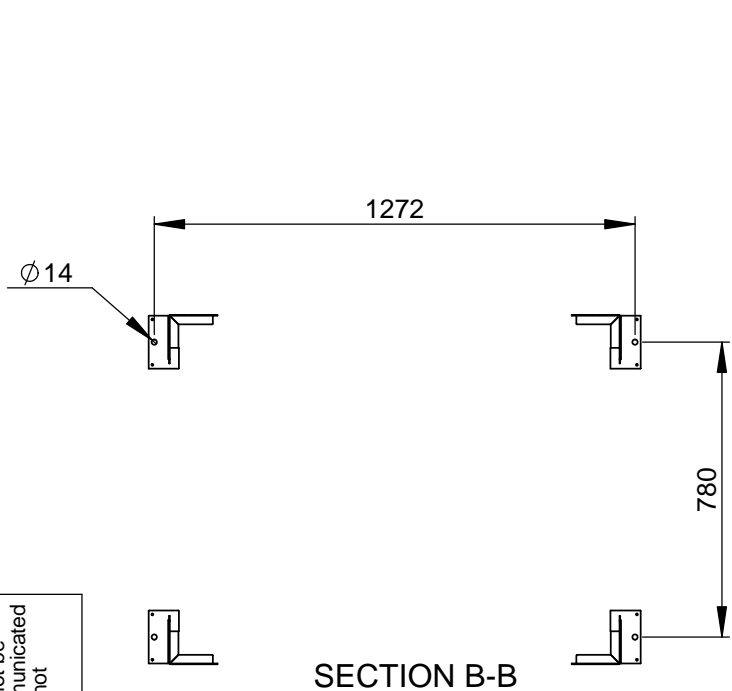
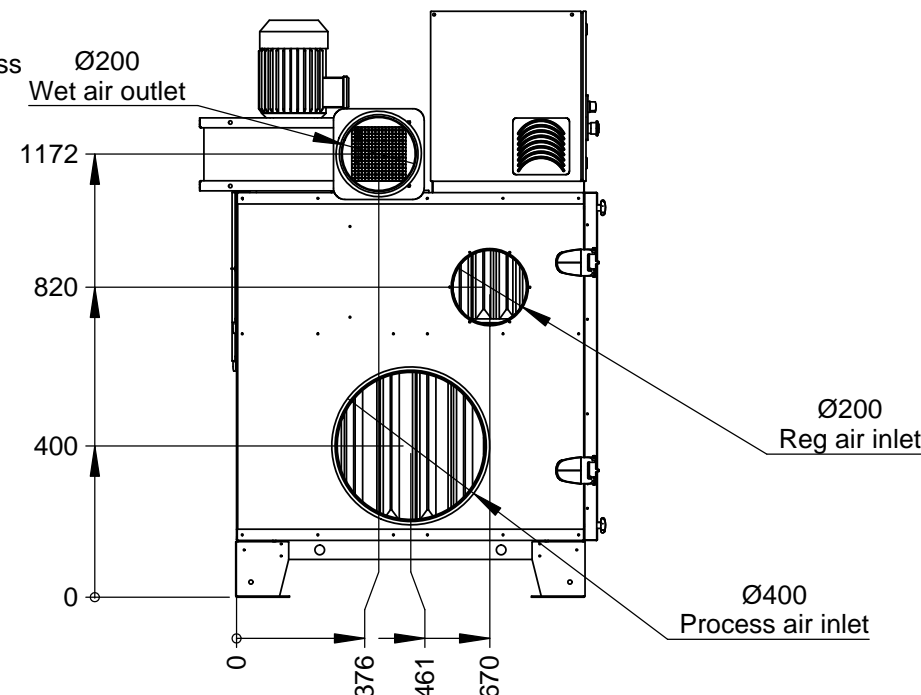
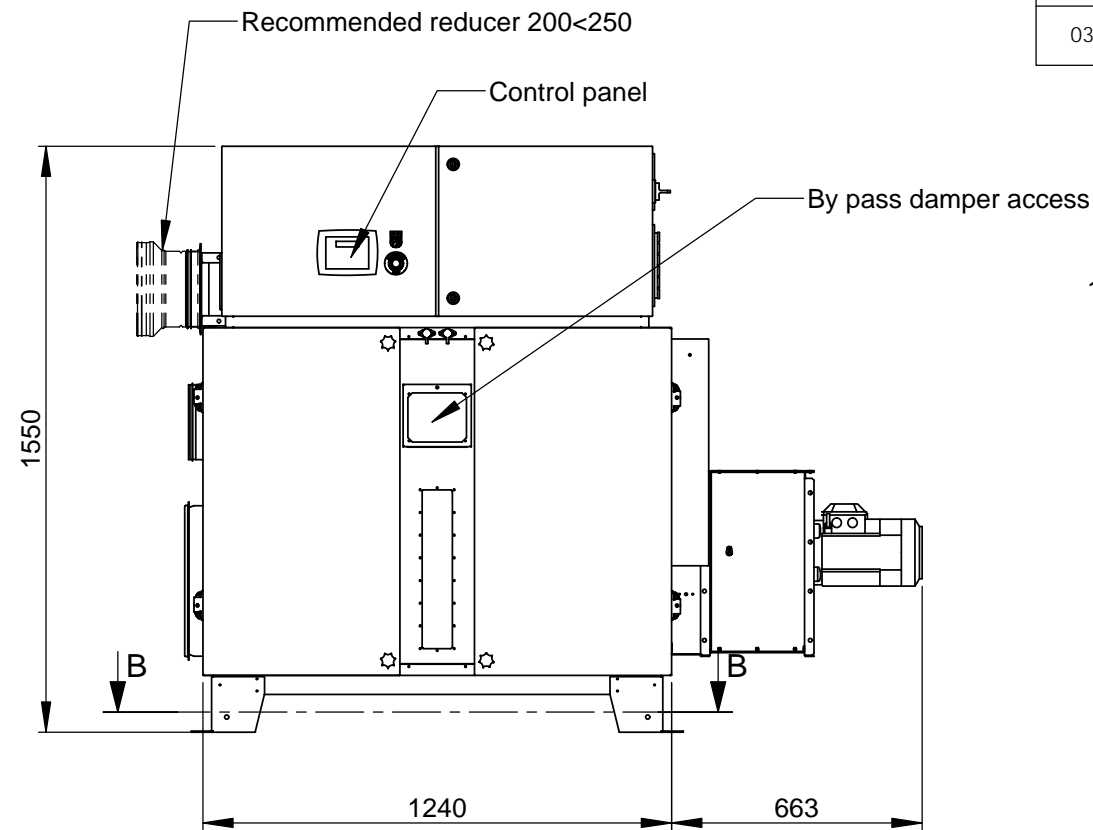
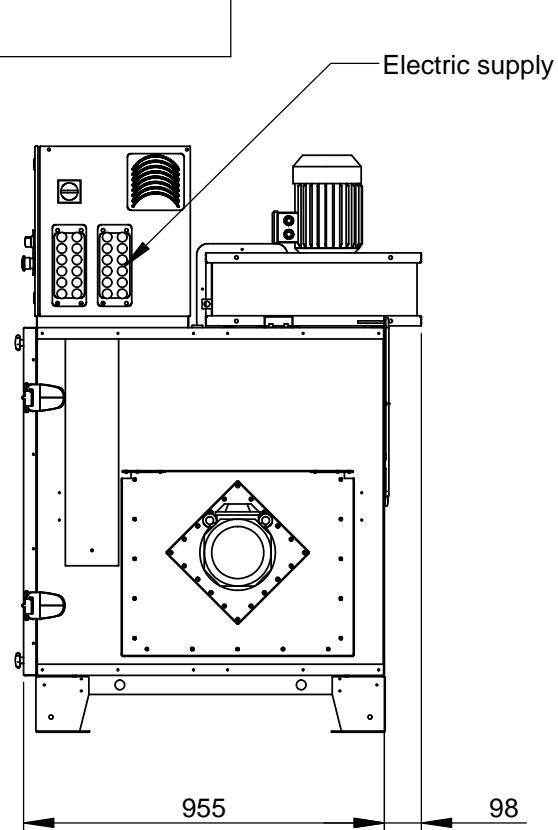


REVISIONS			
REV.	DESCRIPTION	DATE	APPROVED
03	Wet air outlet changed to Ø200. Recommendation for reducer inserted. Mass properties revised.	2016-06-09	EL



This document and its contents are the exclusive property of DST Seibu Giken and must not be copied, reproduced, transmitted or communicated to any other party or used for purposes not expressly permitted by us.

	Designed by Catarina S	Date 2014-01-27	Title/Description Installationsritning RLZ-82
	Drawn by Erik L	Date 2014-05-05	
	Approved by -	Date -	Installation drawing RLZ-82
	Material -	Thickness t=	
Seibu Giken DST AB +46 8 445 77 20 www.dst-sg.com	Status Construction	Tolerance ISO 2768-1m	Drawing no DST05371
	Scale 1:20	Format A3	Sheet/Sheet 1/1
	Rev Part 03	Weight (Kg) 325.000	Rev 03