



Revolutionary New Product Made from Engineered Polymers

Eliminates Metal - No Rust



Cone

The image shows a square, white, recessed diffuser with a central square opening. The opening has a slightly conical shape, hence the name "Cone". The diffuser is set against a light gray background and is reflected below.

Plaque

The image shows a square, white, recessed diffuser with a flat central square opening. The diffuser is set against a light gray background and is reflected below.

MORE DURABLE

- No rust, no corrosion
- Won't fade or yellow
- Scratches don't show
- No painting or repainting
- Won't bend
- Mildew resistant

EASY INSTALLATION

- 50% lighter than metal
- Extra tall neck - 2 3/8"
- No cut fingers/sharp edges
- Drop/damage resistant
- Compatible with standard duct and damper sizes

PEAK PERFORMANCE

- Air flow consistent with metal
- Antistatic
- Resists sweating
- Flame Resistant
(Meets UL94HB flame spread test)

ATTRACTIVE

- Consistent smooth finish
- More dimensionally stable
- Indistinguishable from metal when installed



AMERICAN LOUVER COMPANY®

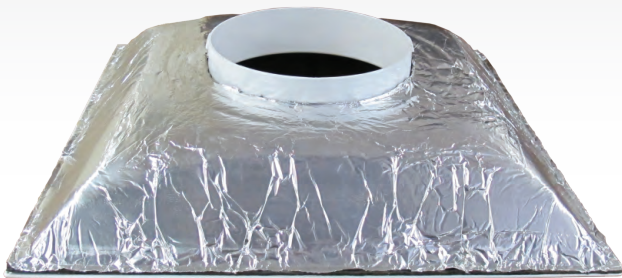
www.americanlouver.com

STRATUS™

DIFFUSERS



Back side of cone diffuser



Insulation Blanket Available

MATERIAL

Engineered Polymers
Stainless Steel Screws

STYLES

Cone: 23.75" x 23.75" for T-grid ceilings
Plaque: 23.75" x 23.75" for T-grid ceilings

NECK SIZES

6", 8", 10", 12", 14" (nominal duct sizes)

INSULATION BLANKET - OPTIONAL

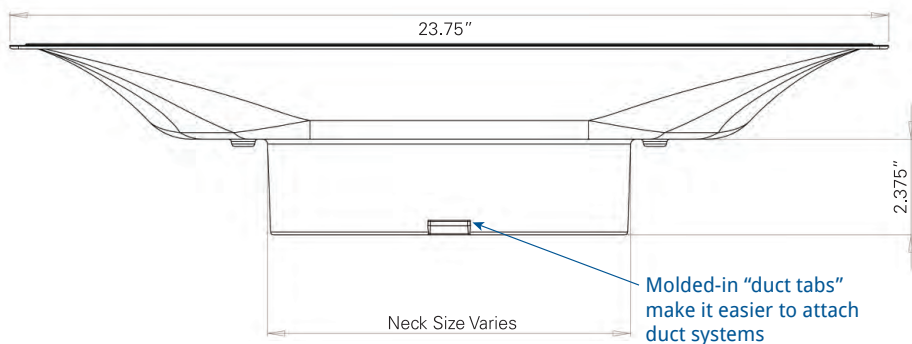
R6 thermal resistance, fiberglass insulation comes preattached to diffuser

COLORS

White, Black

Custom colors available with minimum order quantity

Performance data available upon request



Both Styles
Available in Black

PERFECT FOR:

Hospitals
MRI Centers
Restaurants
Theaters
Food Processing
Offices
Commercial Buildings
Clean Environments

 AMERICAN LOUVER COMPANY®
7700 N. Austin Avenue
Skokie, IL 60077
(800) 772-0355
FAX (847) 966-80742
www.americanlouver.com

MADE IN THE USA

Distributed by: