

# Low Temperature Unit Coolers

## For Reach-In and Undercounter Refrigerators



### FEATURES

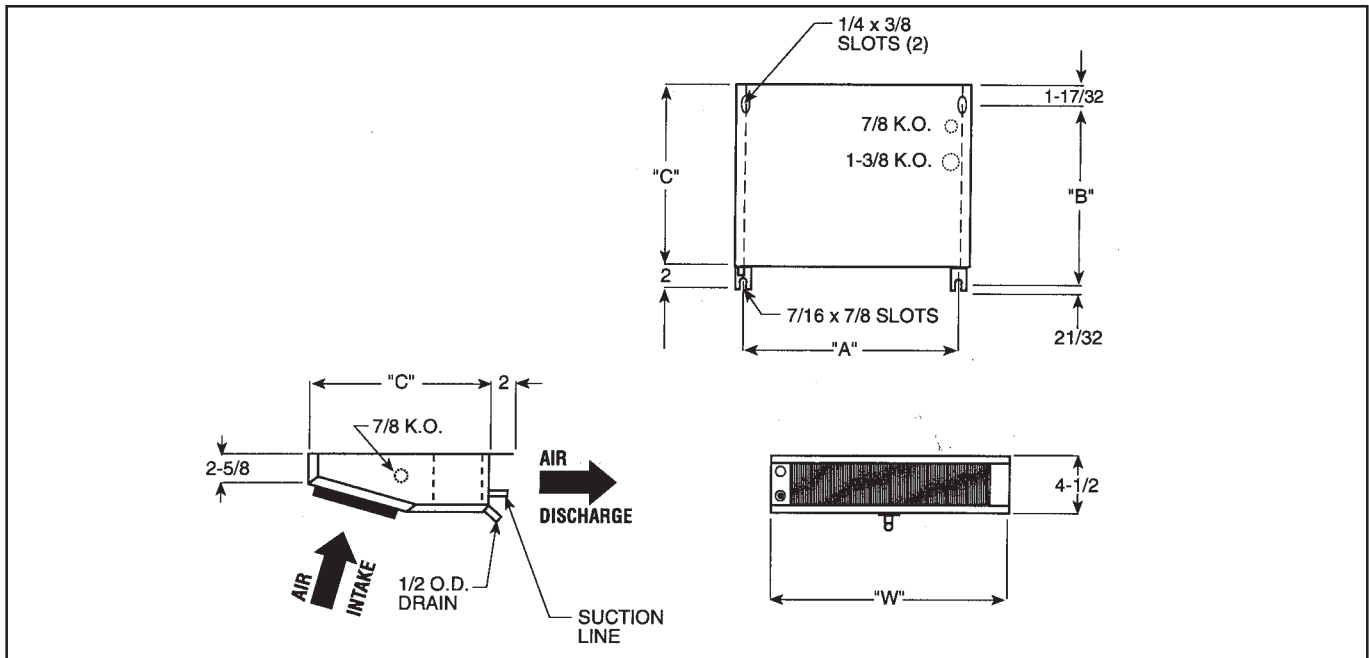
- Attractive low silhouette allows maximum usage of refrigerated space.
- Lightweight cabinet made of smooth aluminum and corrosion proof hardware.
- Protective coating on all models.
- Generously sized coils provide balance with available condensing units and compressors.
- Rear air discharge reduces door sweating.
- Motors thermally protected and life lubricated.
- Quick-connect moisture-proof wiring harness.
- Light molded plastic fan blades ensure low noise level and optimum air circulation.
- R-134a, R-404A, R-507, R-12, R-22, R-502, R407A, R407B, R407C.
- Internally equalized expansion valve mounts inside of cabinet.
- Removable drain pan with self-retained fasteners.
- Knockouts for electrical connections conveniently located in cabinet.
- Opening at the back for refrigeration connections.
- Durable high density electric heaters for a fast and complete coil defrosting.
- Defrost termination and fan delay thermostat mounted and wired inside of cabinet.
- Electrical junction box with terminal plate.



**WE ARE ON THE INTERNET**

[www.trentonrefrigeration.com](http://www.trentonrefrigeration.com)

# DIMENSIONAL DATA FOR LOW TEMPERATURE UNIT COOLERS



## DIMENSIONAL DATA

Model No.	Dimensions, In.				Connections, In.		Approx. Ship. Wt., Lbs
	A	B	W	C	Inlet	Suction	
TLK-90	14-11/16	14	16 1/2	14 1/2	1/2 FN	3/8 ID	14
TLK-120	18-11/16	14	19 1/4	14 1/2	1/2 FN	3/8 ID	16
TLK-160	22-3/16	15	24	15 1/2	1/2 FN	1/2 ID	19

## PERFORMANCE AND ELECTRICAL DATA

Model No.	BTU/Hr @ 10 °F TD	CFM	Quantity	MOTORS		Watts	DEFROST HEATERS	
				Total Amps			Total Amps.	
				115/1/60	208-230/1/60		115	230
TLK-90	900	160	1	.693	.345	475	4.13	2.1
TLK-120	1200	190	2	1.38	.69	600	5.2	2.6
TLK-160	1600	230	2	1.38	.69	750	6.5	3.25

Amps for 208-230/1/60 models shown at 230V.



### TRENTON REFRIGERATION PRODUCTS

539 Dunksferry Road, Bensalem, PA 19020-5908

PHONE: 215-244-1400

A Division of National Refrigeration and Air Conditioning Products, Inc.



Due to National Refrigeration's policy of continuous product improvement, we reserve the right to make changes without notice.